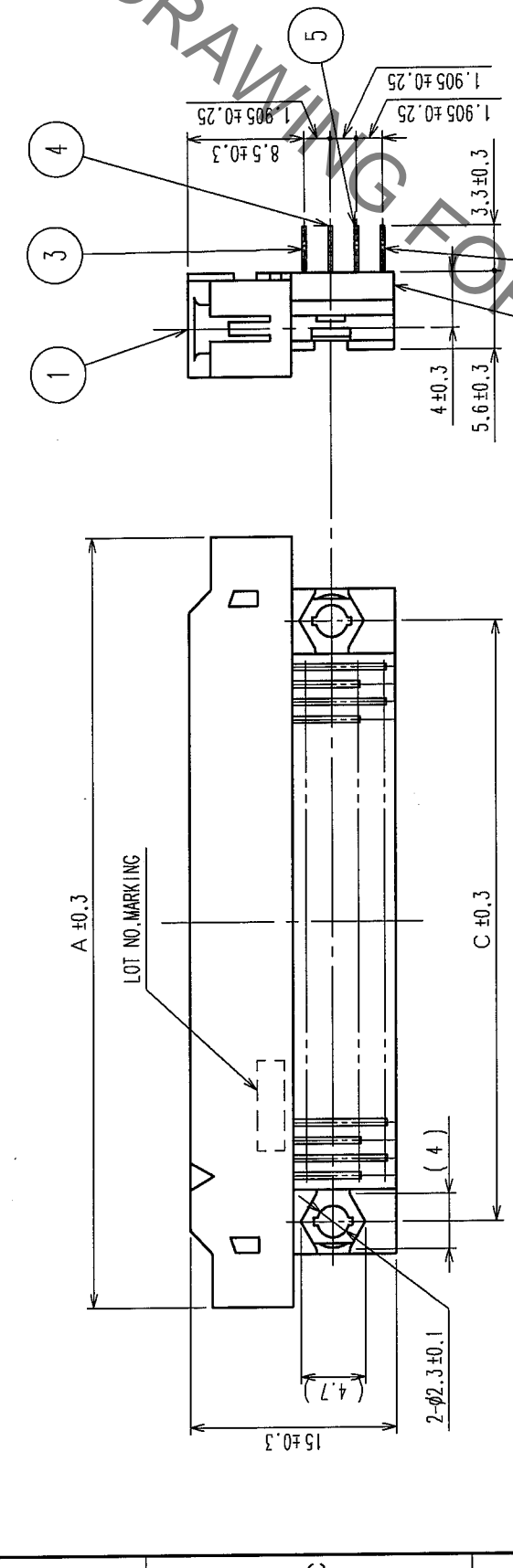
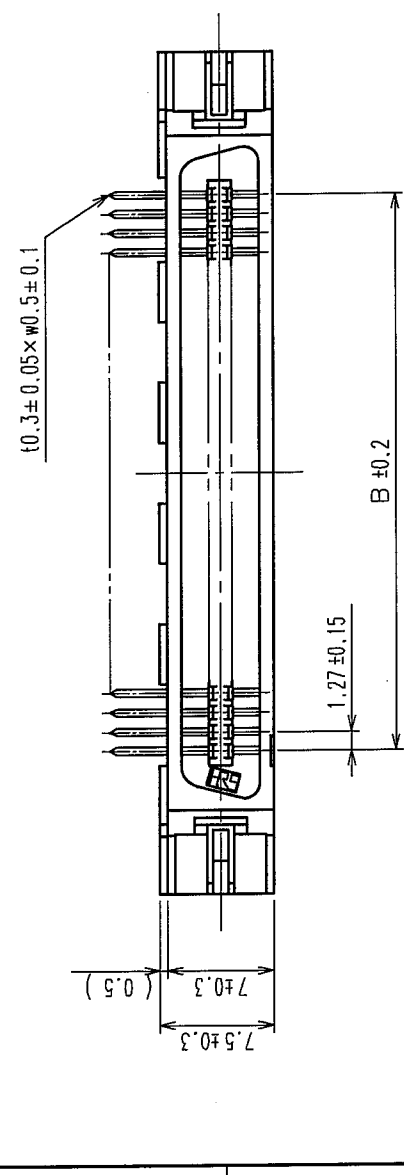


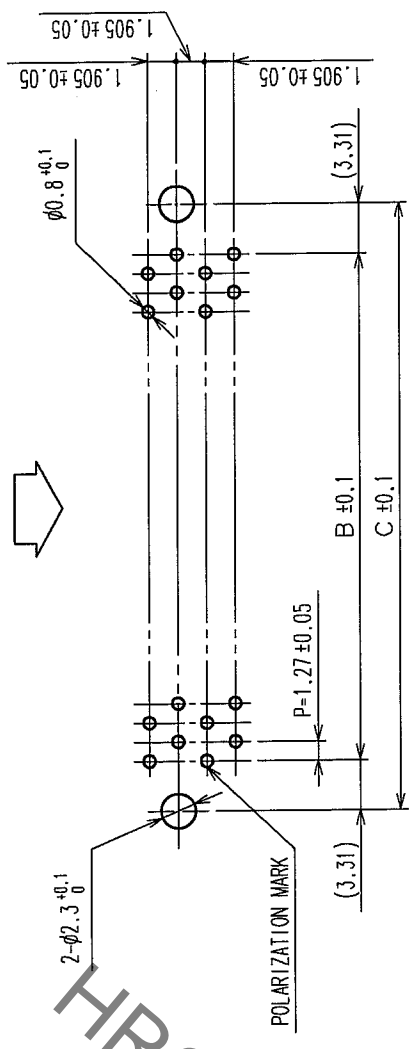
In case of consideration for using Automotive equipment / device which demand high reliability, kindly contact our sales window correspondents.

| COUNT | DESCRIPTION OF REVISIONS | BY | CHKD | DATE | COUNT | DESCRIPTION OF REVISIONS | BY | CHKD | DATE |
|-------|--------------------------|----|------|------|-------|--------------------------|----|------|------|
|       |                          |    |      |      |       |                          |    |      |      |
|       |                          |    |      |      |       |                          |    |      |      |
|       |                          |    |      |      |       |                          |    |      |      |



RECOMMEND PC BOARD HOLE PATTERN ( MOUNTING SIDE )

MATING SIDE



| PART No.             | CODE No.        | A   | B     | C     | D     |
|----------------------|-----------------|-----|-------|-------|-------|
| FX2B-20P-1.27DS(71)  | CL572-0701-0-71 | 20  | 30.33 | 11.43 | 18.05 |
| FX2B-32P-1.27DS(71)  | CL572-0702-2-71 | 32  | 37.95 | 19.05 | 25.67 |
| FX2B-40P-1.27DS(71)  | CL572-0703-5-71 | 40  | 43.03 | 24.13 | 30.75 |
| FX2B-52P-1.27DS(71)  | CL572-0704-8-71 | 52  | 50.65 | 31.75 | 38.37 |
| FX2B-60P-1.27DS(71)  | CL572-0705-0-71 | 60  | 55.73 | 36.83 | 43.45 |
| FX2B-68P-1.27DS(71)  | CL572-0706-3-71 | 68  | 60.81 | 41.91 | 48.53 |
| FX2B-80P-1.27DS(71)  | CL572-0707-6-71 | 80  | 68.43 | 49.53 | 56.15 |
| FX2B-100P-1.27DS(71) | CL572-0708-9-71 | 100 | 81.13 | 62.23 | 68.85 |

NOTES  
 1. STANDOFF DIFFERS ACCORDING TO PRODUCTS.  
 2. THE DIMENSIONS IN PARENTHESES ARE FOR REFERENCE.  
 3. NUMBER OF PIN.

|                |            |          |             |          |                 |  |         |
|----------------|------------|----------|-------------|----------|-----------------|--|---------|
| 1, 2           | POLYAMIDE  | BLACK    | UL94V-0     | 3~6      | PHOSPHOR BRONZE | CONTACT AREA: GOLD 0.2μm min<br>DIP AREA: TIN-PLATING 2μm min<br>UNDER PLATING: NICKEL 2μm min |         |
| NO.            | MATERIAL   | FINISH   | REMARKS     | NO.      | MATERIAL        | FINISH   | REMARKS |
| CODE NO. (OLD) | DRAWN      |          | DESIGNED    | CHECKED  | APPROVED        | RELEASED   |         |
| CL             | I. OKAYAMA |          | K. NAKAMURA | H. OKAWA | H. OKAWA        |  |         |
|                |            | 04.06.02 | 04.06.02    | 04.06.14 | 04.06.14        |  |         |

|             |                |          |                      |
|-------------|----------------|----------|----------------------|
| DRAWING NO. | EDC3-082283-21 | PART NO. | FX2B-***P-1.27DS(71) |
| SCALE       | FREE           | CODE NO. |                      |
| UNITS       | mm             |          |                      |

HRS

HIROSE ELECTRIC CO., LTD.

CL572

## X-ON Electronics

Largest Supplier of Electrical and Electronic Components

*Click to view similar products for [Board to Board & Mezzanine Connectors](#) category:*

*Click to view products by [Hirose](#) manufacturer:*

Other Similar products are found below :

[589158040000018](#) [MDF7C-18P-2.54DSA\(55\)](#) [FCN-230C068-11](#) [FCN-268F012-G/BD](#) [FCN-268F036-G/BD](#) [FCN-268M012-G/0D](#) [FCN-268M024-G/1D](#) [FCN-723J004/1](#) [MIS-048-01-F-D-DP-K](#) [832-10-034-10-001000](#) [FX4C-80S-1.27DSA](#) [FCN-214Q030-G/0](#) [FCN-234P048-G/0](#) [FCN-235D050-G/C](#) [210-93-314-41-105000](#) [2-22603-0](#) [MDF7-40DP-2.54DSA\(55\)](#) [AXG720047](#) [MIT-114-03-F-D-K](#) [55323-1519](#) [DF33-2P-3.3DSA\(24\)](#) [YFT-20-05-H-03-SB-K](#) [503308-3040](#) [026-6203-PDB](#) [027-6203-PDB](#) [069159702701000](#) [10123981-102LF](#) [101A10019X](#) [55650-0588-C](#) [68682-310LF](#) [68684-306](#) [75140-7012](#) [87471-650](#) [YTW-30-07-H-Q-410-140](#) [FCN-268F024-G0D](#) [10124054-515LF](#) [68685-603](#) [8-1616154-3](#) [MIS-019-01-F-D](#) [FCN-268M024-G/3D](#) [FCN-268M036-G/BD](#) [20021832-06016C1LF](#) [KX15-20KLDL-E1000E](#) [AXE810124](#) [FCN-214J100-G/0](#) [FCN-230C068-E/S](#) [AXE812124](#) [AXE816124](#) [AXE720127](#) [354184](#)