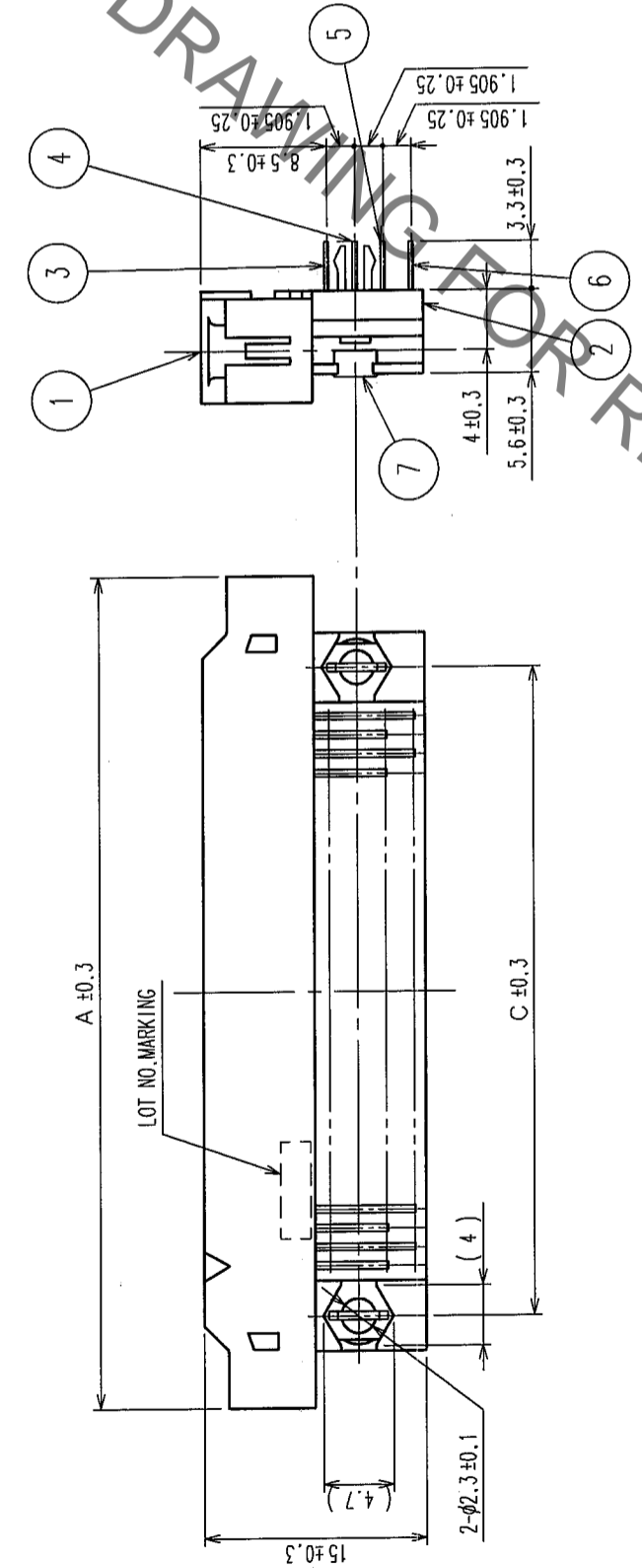
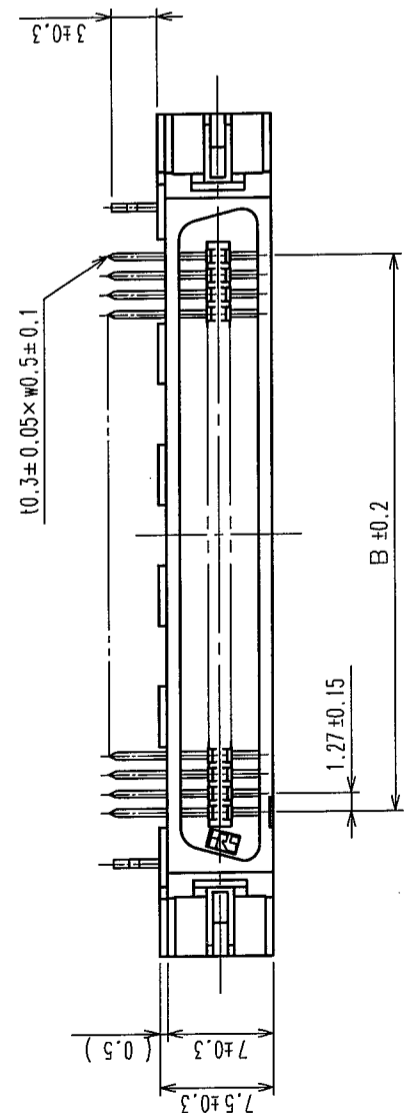


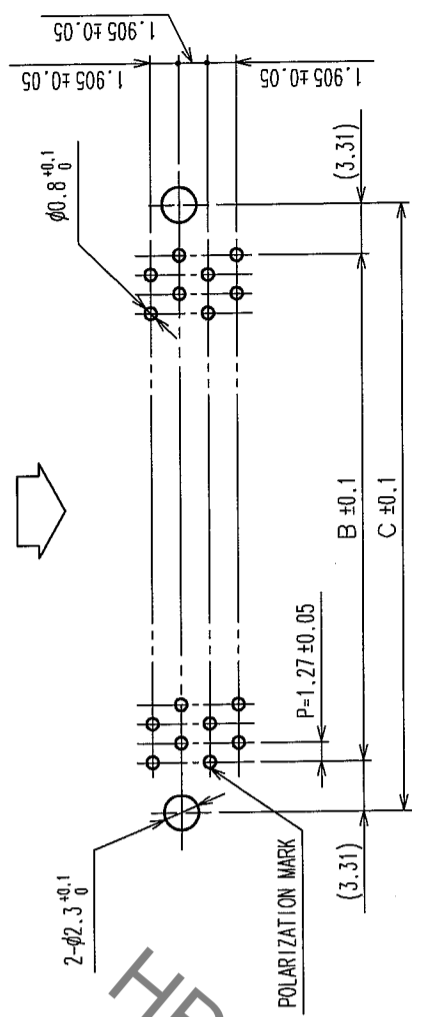
Aug.1.2021 Copyright 2021 HIROSE ELECTRIC CO., LTD. All Rights Reserved.
 In case of consideration for using Automotive equipment / device which demand high reliability, kindly contact our sales window correspondents.

COUNT	DESCRIPTION OF REVISIONS	BY	CHKD	DATE	COUNT	DESCRIPTION OF REVISIONS	BY	CHKD	DATE
△					△				
△					△				
△					△				



RECOMMEND PC BOARD HOLE PATTERN (MOUNTING SIDE)

MATING SIDE



PART No.	CODE No.	A	B	C	D
FX2B-20P-1.27DSL(71)	CL572-0751-8-71	20	30.33	11.43	18.05
FX2B-32P-1.27DSL(71)	CL572-0752-0-71	32	37.95	19.05	25.67
FX2B-40P-1.27DSL(71)	CL572-0753-3-71	40	43.03	24.13	30.75
FX2B-52P-1.27DSL(71)	CL572-0754-6-71	52	50.65	31.75	38.37
FX2B-60P-1.27DSL(71)	CL572-0755-9-71	60	55.73	36.83	43.45
FX2B-68P-1.27DSL(71)	CL572-0756-1-71	68	60.81	41.91	48.53
FX2B-80P-1.27DSL(71)	CL572-0757-4-71	80	68.43	49.53	56.15
FX2B-100P-1.27DSL(71)	CL572-0758-7-71	100	81.13	62.23	68.85

NOTES
 1. STANDOFF DIFFERS ACCORDING TO PRODUCTS.
 2. THE DIMENSIONS IN PARENTHESES ARE FOR REFERENCE.
 3. NUMBER OF PIN.

NO.	PHOSPHOR BRONZE	TIN-PLATING	3~6	PHOSPHOR BRONZE	MATERIAL	FINISH,	REMARKS
1, 2	POLYAMIDE	BLACK	UL94V-0				
7	PHOSPHOR BRONZE	TIN-PLATING	3~6	PHOSPHOR BRONZE			CONTACT AREA: GOLD 0.2μm min DIP AREA: TIN-PLATING 2μm min UNDER PLATING: NICKEL 2μm min

CODE NO. (OLD)	CL	DESIGNED	CHECKED	APPROVED	RELEASED
		I. OKAYAMA	H. OKAWA	H. OKAWA	
		04.06.02	04.06.02	04.06.14	04.06.14

DRAWING NO.	PART NO.
EDC3-082284-21	FX2B-※P-1.27DSL(71)
SCALE FREE	CODE NO.
UNITS mm	CL572

HRS HIROSE ELECTRIC CO., LTD.
 8 FORM NO. 233

X-ON Electronics

Largest Supplier of Electrical and Electronic Components

Click to view similar products for [Board to Board & Mezzanine Connectors](#) category:

Click to view products by [Hirose](#) manufacturer:

Other Similar products are found below :

[589158040000018](#) [MDF7C-18P-2.54DSA\(55\)](#) [FCN-230C068-11](#) [FCN-268F012-G/BD](#) [FCN-268F036-G/BD](#) [FCN-268M012-G/0D](#) [FCN-268M024-G/1D](#) [FCN-723J004/1](#) [MIS-048-01-F-D-DP-K](#) [832-10-034-10-001000](#) [FX4C-80S-1.27DSA](#) [FCN-214Q030-G/0](#) [FCN-234P048-G/0](#) [FCN-235D050-G/C](#) [210-93-314-41-105000](#) [2-22603-0](#) [MDF7-40DP-2.54DSA\(55\)](#) [AXG720047](#) [MIT-114-03-F-D-K](#) [55323-1519](#) [DF33-2P-3.3DSA\(24\)](#) [YFT-20-05-H-03-SB-K](#) [503308-3040](#) [026-6203-PDB](#) [027-6203-PDB](#) [069159702701000](#) [10123981-102LF](#) [101A10019X](#) [55650-0588-C](#) [68682-310LF](#) [68684-306](#) [75140-7012](#) [87471-650](#) [YTW-30-07-H-Q-410-140](#) [FCN-268F024-G0D](#) [10124054-515LF](#) [68685-603](#) [8-1616154-3](#) [MIS-019-01-F-D](#) [FCN-268M024-G/3D](#) [FCN-268M036-G/BD](#) [20021832-06016C1LF](#) [KX15-20KLDL-E1000E](#) [AXE810124](#) [FCN-214J100-G/0](#) [FCN-230C068-E/S](#) [AXE812124](#) [AXE816124](#) [AXE720127](#) [354184](#)