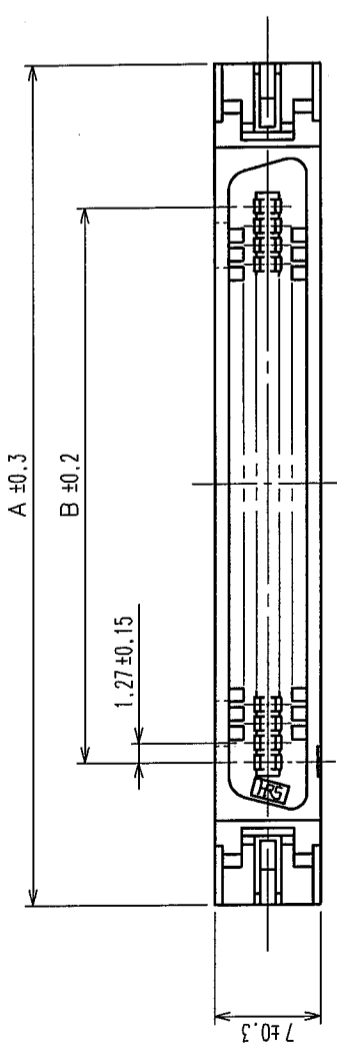
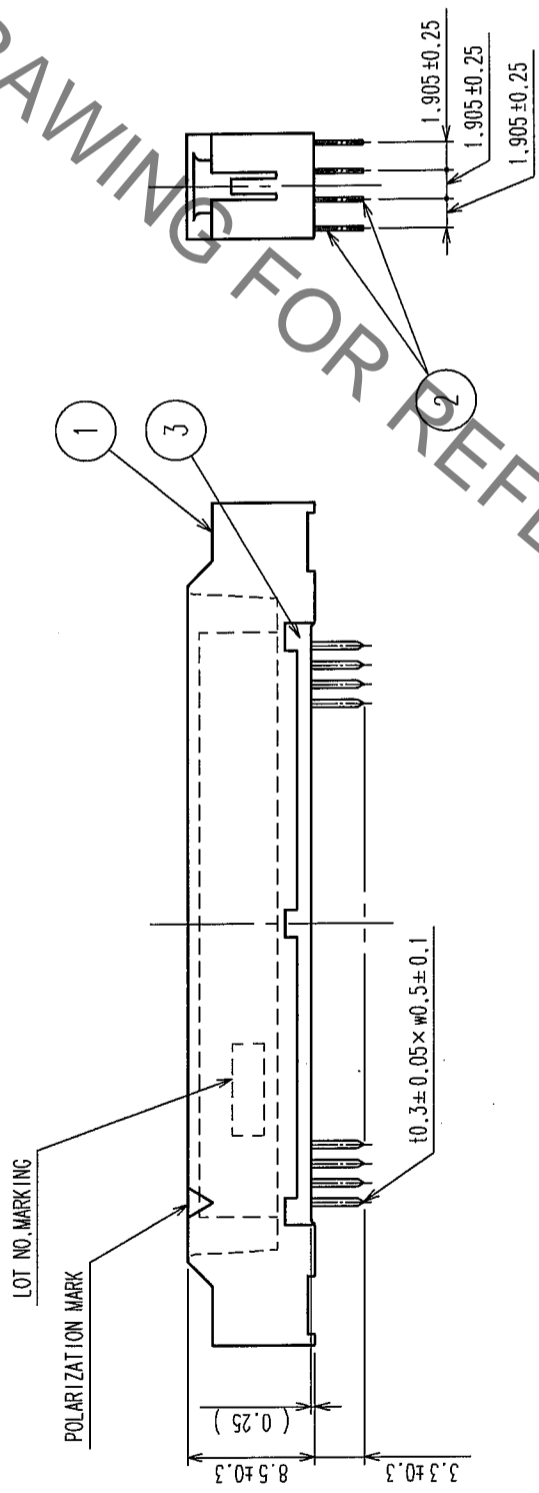
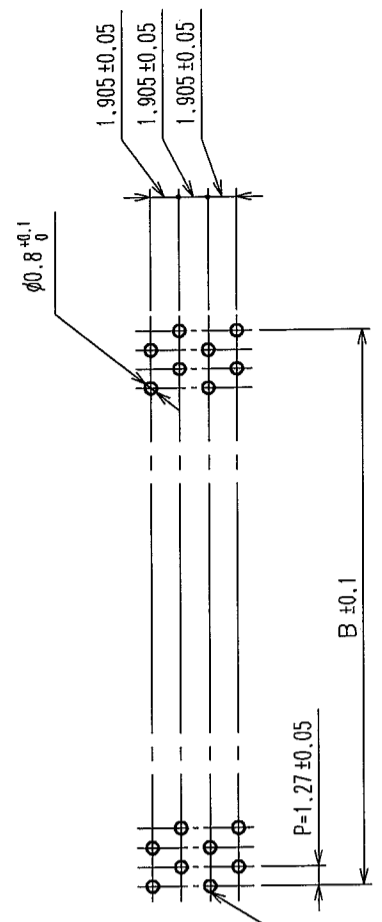


In case of consideration for using Automotive equipment / device which demand high reliability, kindly contact our sales window correspondents.

COUNT	DESCRIPTION OF REVISIONS	BY	CHKD	DATE	COUNT	DESCRIPTION OF REVISIONS	BY	CHKD	DATE
△					△				
△					△				
△					△				



RECOMMEND PC BOARD HOLE PATTERN (MOUNTING SIDE)



PART No.	CODE No.	A	B
FX2B-40PA-1.27DSA(71)	CL572-0823-7-71	40	43.03
FX2B-52PA-1.27DSA(71)	CL572-0824-0-71	52	50.65
FX2B-60PA-1.27DSA(71)	CL572-0825-2-71	60	55.73
FX2B-68PA-1.27DSA(71)	CL572-0826-5-71	68	60.81
FX2B-80PA-1.27DSA(71)	CL572-0827-8-71	80	68.43
FX2B-100PA-1.27DSA(71)	CL572-0828-0-71	100	81.13

NOTES 1. THE DIMENSIONS IN PARENTHESES ARE FOR REFERENCE.
 2. NUMBER OF PIN.

NO.	MATERIAL	FINISH, REMARKS	NO.	MATERIAL	FINISH, REMARKS
1, 3	POLYAMIDE	BLACK	2	BRASS	
CODE NO. (OLD)		CL	CONTACT AREA: GOLD FLASH		
DRAWN		I. OKAYAMA	DIP AREA: TIN-PLATING 2μm min		
DESIGNED		K. NAKAMURA	UNDER PLATING: NICKEL 1μm min		
CHECKED		H. OKAWA	FINISH, REMARKS		
APPROVED		H. OKAWA	RELEASED		
DATE		04.06.02	DATE		04.06.14

DRAWING NO.	EDC3-151042-21	PART NO.	FX2B-PA-1.27DSA(71)
SCALE	FREE	CODE NO.	CL572
UNITS	mm		



HIROSE ELECTRIC CO., LTD.

TO	
PCK	

X-ON Electronics

Largest Supplier of Electrical and Electronic Components

Click to view similar products for [Board to Board & Mezzanine Connectors](#) category:

Click to view products by [Hirose](#) manufacturer:

Other Similar products are found below :

[589158040000018](#) [MDF7C-18P-2.54DSA\(55\)](#) [FCN-230C068-11](#) [FCN-268F012-G/BD](#) [FCN-268F036-G/BD](#) [FCN-268M012-G/0D](#) [FCN-268M024-G/1D](#) [FCN-723J004/1](#) [MIS-048-01-F-D-DP-K](#) [832-10-034-10-001000](#) [FX4C-80S-1.27DSA](#) [FCN-214Q030-G/0](#) [FCN-234P048-G/0](#) [FCN-235D050-G/C](#) [210-93-314-41-105000](#) [2-22603-0](#) [MDF7-40DP-2.54DSA\(55\)](#) [AXG720047](#) [MIT-114-03-F-D-K](#) [55323-1519](#) [DF33-2P-3.3DSA\(24\)](#) [YFT-20-05-H-03-SB-K](#) [503308-3040](#) [026-6203-PDB](#) [027-6203-PDB](#) [069159702701000](#) [10123981-102LF](#) [101A10019X](#) [55650-0588-C](#) [68682-310LF](#) [68684-306](#) [75140-7012](#) [87471-650](#) [YTW-30-07-H-Q-410-140](#) [FCN-268F024-G0D](#) [10124054-515LF](#) [68685-603](#) [8-1616154-3](#) [MIS-019-01-F-D](#) [FCN-268M024-G/3D](#) [FCN-268M036-G/BD](#) [20021832-06016C1LF](#) [KX15-20KLDL-E1000E](#) [AXE810124](#) [FCN-214J100-G/0](#) [FCN-230C068-E/S](#) [AXE812124](#) [AXE816124](#) [AXE720127](#) [354184](#)