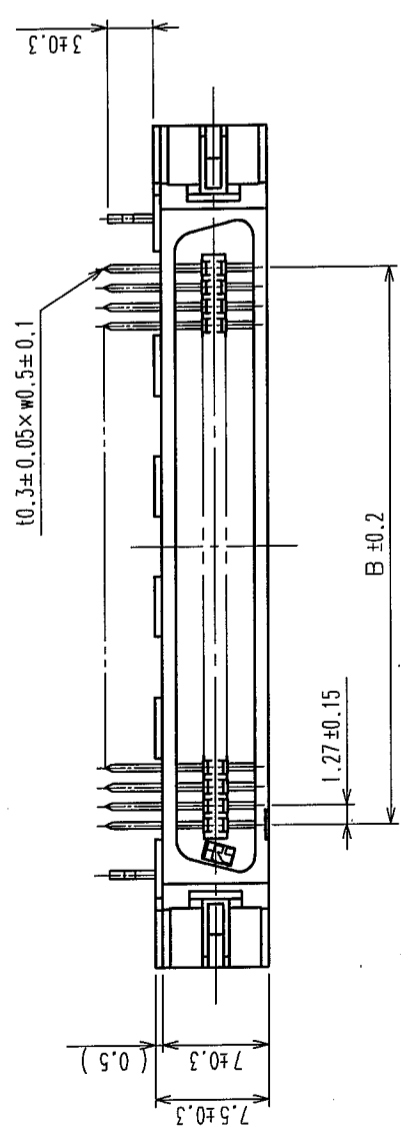


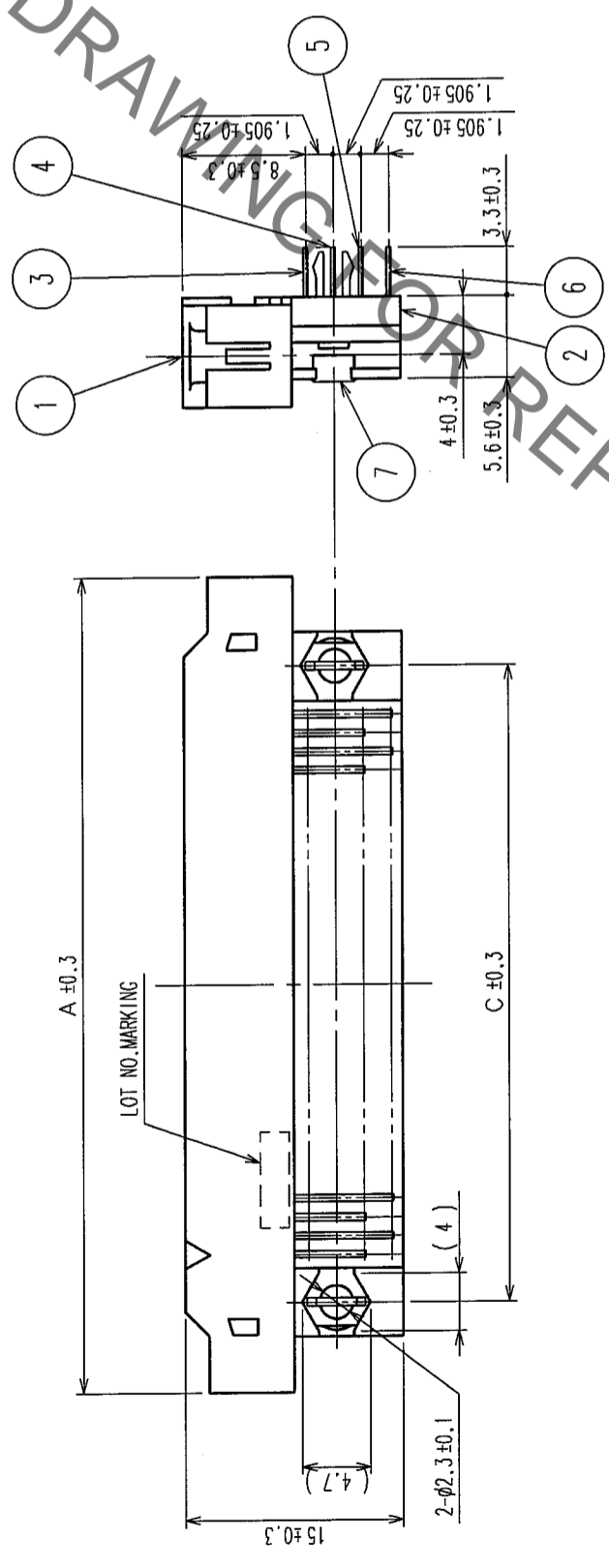
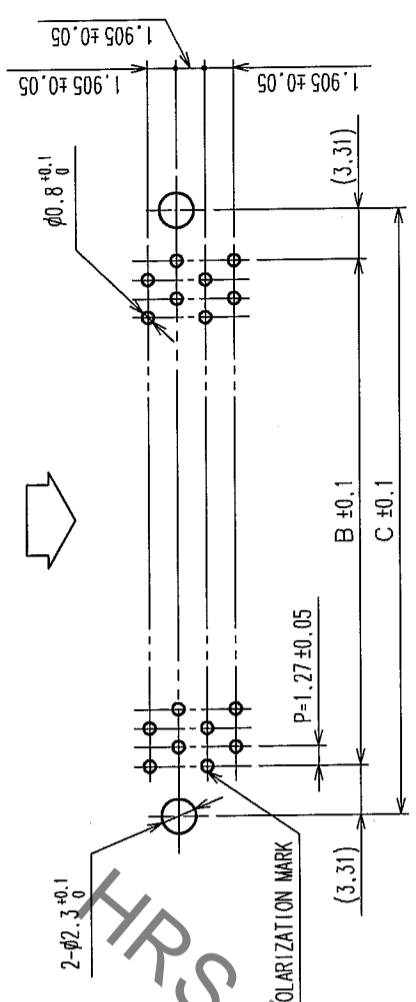
In case of consideration for using Automotive equipment / device which demand high reliability, kindly contact our sales window correspondents.

COUNT	DESCRIPTION OF REVISIONS	BY	CHKD	DATE	COUNT	DESCRIPTION OF REVISIONS	BY	CHKD	DATE



RECOMMEND PC BOARD HOLE PATTERN ( MOUNTING SIDE )

MATING SIDE



HRS DRAWING FOR REFERENCE

PART No.	CODE No.	A	B	C	D
FX2B-20PA-1.27DSL(71)	CL572-0771-5-71	20	30.33	11.43	18.05
FX2B-32PA-1.27DSL(71)	CL572-0772-8-71	32	37.95	19.05	25.67
FX2B-40PA-1.27DSL(71)	CL572-0773-0-71	40	43.03	24.13	30.75
FX2B-52PA-1.27DSL(71)	CL572-0774-3-71	52	50.65	31.75	38.37
FX2B-60PA-1.27DSL(71)	CL572-0775-6-71	60	55.73	36.83	43.45
FX2B-68PA-1.27DSL(71)	CL572-0776-9-71	68	60.81	41.91	48.53
FX2B-80PA-1.27DSL(71)	CL572-0777-1-71	80	68.43	49.53	56.15
FX2B-100PA-1.27DSL(71)	CL572-0778-4-71	100	81.13	62.23	68.85

NOTES  
 1 STANDOFF DIFFERS ACCORDING TO PRODUCTS.  
 2 NUMBER OF PIN.  
 3. THE DIMENSIONS IN PARENTHESES ARE FOR REFERENCE.

NO.	MATERIAL	FINISH	REMARKS	NO.	MATERIAL	FINISH	REMARKS
7	PHOSPHOR BRONZE	TIN-PLATING	3~6	BRASS			CONTACT AREA: GOLD FLASH
1,2	POLYAMIDE	BLACK	UL94V-0				DIP AREA: TIN-PLATING 2μm min
							UNDER PLATING: NICKEL 1μm min

CODE NO. (OLD)	CL	CODE NO. (NEW)	CL

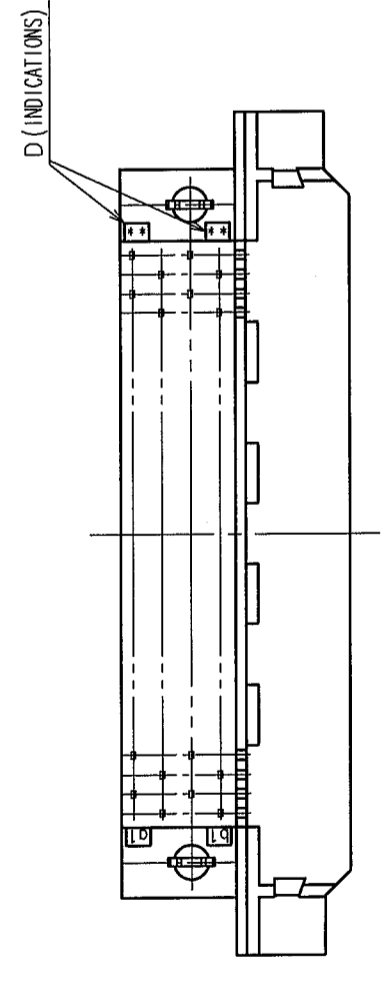
DESIGNED	CHECKED	APPROVED	RELEASED
I. OKAYAMA	H. OKAWA	H. OKAWA	H. OKAWA
04.06.02	04.06.02	04.06.14	04.06.14

DRAWING NO.	PART NO.
EDC3-151041-21	FX2B-※PA-1.27DSL(71)

SCALE	UNITS	CODE NO.
FREE	mm	CL572



TO PCK

## X-ON Electronics

Largest Supplier of Electrical and Electronic Components

*Click to view similar products for [Board to Board & Mezzanine Connectors](#) category:*

*Click to view products by [Hirose](#) manufacturer:*

Other Similar products are found below :

[589158040000018](#) [MDF7C-18P-2.54DSA\(55\)](#) [FCN-230C068-11](#) [FCN-268F012-G/BD](#) [FCN-268F036-G/BD](#) [FCN-268M012-G/0D](#) [FCN-268M024-G/1D](#) [FCN-723J004/1](#) [MIS-048-01-F-D-DP-K](#) [832-10-034-10-001000](#) [FX4C-80S-1.27DSA](#) [FCN-214Q030-G/0](#) [FCN-234P048-G/0](#) [FCN-235D050-G/C](#) [210-93-314-41-105000](#) [2-22603-0](#) [MDF7-40DP-2.54DSA\(55\)](#) [AXG720047](#) [MIT-114-03-F-D-K](#) [55323-1519](#) [DF33-2P-3.3DSA\(24\)](#) [YFT-20-05-H-03-SB-K](#) [503308-3040](#) [026-6203-PDB](#) [027-6203-PDB](#) [069159702701000](#) [10123981-102LF](#) [101A10019X](#) [55650-0588-C](#) [68682-310LF](#) [68684-306](#) [75140-7012](#) [87471-650](#) [YTW-30-07-H-Q-410-140](#) [FCN-268F024-G0D](#) [10124054-515LF](#) [68685-603](#) [8-1616154-3](#) [MIS-019-01-F-D](#) [FCN-268M024-G/3D](#) [FCN-268M036-G/BD](#) [20021832-06016C1LF](#) [KX15-20KLDL-E1000E](#) [AXE810124](#) [FCN-214J100-G/0](#) [FCN-230C068-E/S](#) [AXE812124](#) [AXE816124](#) [AXE720127](#) [354184](#)