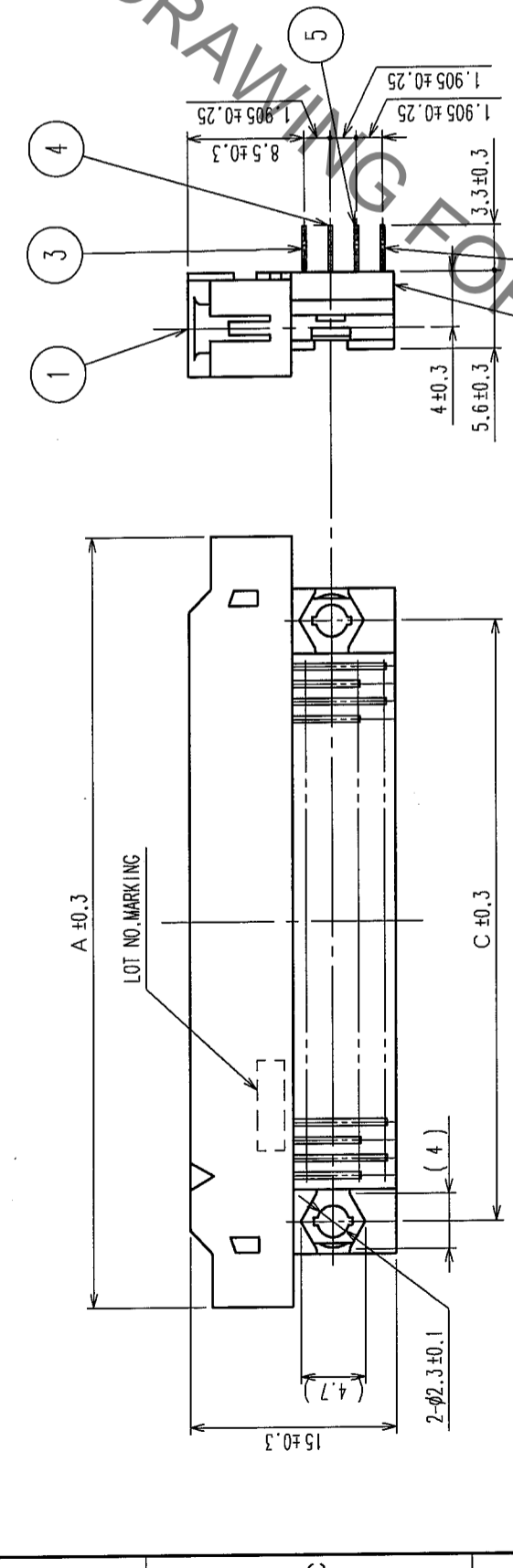
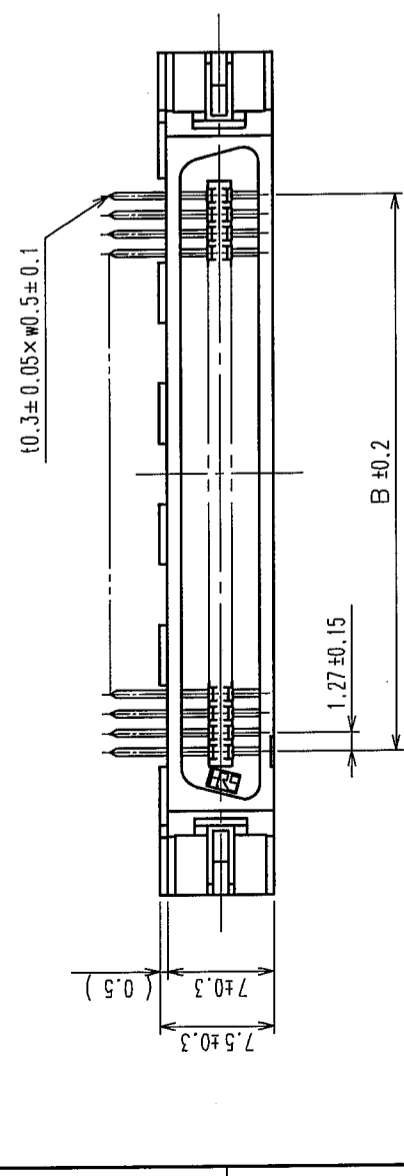
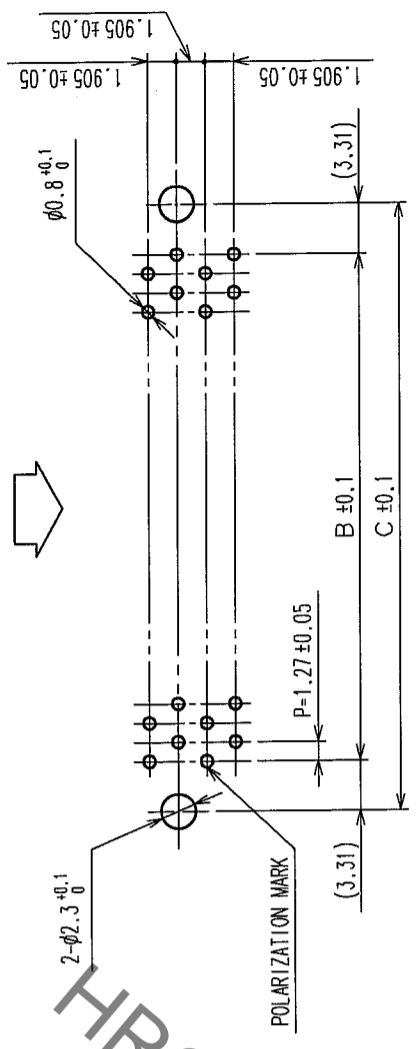


| COUNT | DESCRIPTION OF REVISIONS | BY | CHKD | DATE | COUNT | DESCRIPTION OF REVISIONS | BY | CHKD | DATE |
|-------|--------------------------|----|------|------|-------|--------------------------|----|------|------|
| | | | | | | | | | |
| | | | | | | | | | |
| | | | | | | | | | |



RECOMMEND PC BOARD HOLE PATTERN (MOUNTING SIDE)

MATING SIDE



| PART No. | CODE No. | A | B | C | D |
|----------------------|-----------------|-----|-------|-------|-------|
| FX2B-20P-1.27DS(71) | CL572-0701-0-71 | 20 | 30.33 | 11.43 | 18.05 |
| FX2B-32P-1.27DS(71) | CL572-0702-2-71 | 32 | 37.95 | 19.05 | 25.67 |
| FX2B-40P-1.27DS(71) | CL572-0703-5-71 | 40 | 43.03 | 24.13 | 30.75 |
| FX2B-52P-1.27DS(71) | CL572-0704-8-71 | 52 | 50.65 | 31.75 | 38.37 |
| FX2B-60P-1.27DS(71) | CL572-0705-0-71 | 60 | 55.73 | 36.83 | 43.45 |
| FX2B-68P-1.27DS(71) | CL572-0706-3-71 | 68 | 60.81 | 41.91 | 48.53 |
| FX2B-80P-1.27DS(71) | CL572-0707-6-71 | 80 | 68.43 | 49.53 | 56.15 |
| FX2B-100P-1.27DS(71) | CL572-0708-9-71 | 100 | 81.13 | 62.23 | 68.85 |

NOTES
 1. STANDOFF DIFFERS ACCORDING TO PRODUCTS.
 2. THE DIMENSIONS IN PARENTHESES ARE FOR REFERENCE.
 3. NUMBER OF PIN.

| | | | | | | | |
|----------------|------------|----------|-------------|----------|-----------------|--|---------|
| 1, 2 | POLYAMIDE | BLACK | UL94V-0 | 3~6 | PHOSPHOR BRONZE | CONTACT AREA: GOLD 0.2μm min DIP AREA: TIN-PLATING 2μm min UNDER PLATING: NICKEL 2μm min | |
| NO. | MATERIAL | FINISH | REMARKS | NO. | MATERIAL | FINISH | REMARKS |
| CODE NO. (OLD) | DRAWN | | DESIGNED | CHECKED | APPROVED | RELEASED | |
| CL | I. OKAYAMA | | K. NAKAMURA | H. OKAWA | H. OKAWA | | |
| | | 04.06.02 | 04.06.02 | 04.06.14 | 04.06.14 | | |

| | | | |
|-------------|----------------|----------|----------------------|
| DRAWING NO. | EDC3-082283-21 | PART NO. | FX2B-***P-1.27DS(71) |
| SCALE | FREE | CODE NO. | |
| UNITS | mm | | |



HIROSE ELECTRIC CO., LTD.

CL572

X-ON Electronics

Largest Supplier of Electrical and Electronic Components

Click to view similar products for [Board to Board & Mezzanine Connectors](#) category:

Click to view products by [Hirose](#) manufacturer:

Other Similar products are found below :

[589158040000018](#) [FCN-230C068-11](#) [FCN-268F012-G/BD](#) [FCN-268F036-G/BD](#) [FCN-268M012-G/0D](#) [FCN-268M024-G/1D](#) [FCN-723J004/1](#) [MIS-048-01-F-D-DP-K](#) [832-10-034-10-001000](#) [FX4C-80S-1.27DSA](#) [FCN-214Q030-G/0](#) [FCN-234P048-G/0](#) [FCN-235D050-G/C](#) [2-22603-0](#) [AXG720047](#) [5031084030](#) [MIT-114-03-F-D-K](#) [55323-1519](#) [YFT-20-05-H-03-SB-K](#) [503308-3040](#) [026-6203-PDB](#) [027-6203-PDB](#) [069159702701000](#) [10123981-102LF](#) [101A10019X](#) [55650-0588-C](#) [68682-310LF](#) [68684-306](#) [75140-7012](#) [87471-650](#) [YTW-30-07-H-Q-410-140](#) [194261-1](#) [FCN-268F024-G0D](#) [10124054-515LF](#) [68685-603](#) [8-1616154-3](#) [MIS-019-01-F-D](#) [FCN-268M024-G/3D](#) [FCN-268M036-G/BD](#) [20021832-06016C1LF](#) [KX15-20KLDL-E1000E](#) [AXE810124](#) [FCN-214J100-G/0](#) [FCN-230C068-E/S](#) [AXE812124](#) [AXE816124](#) [AXE720127](#) [354184](#) [MIT-019-04-F-D-K](#) [P50-028-DDS-TG](#)