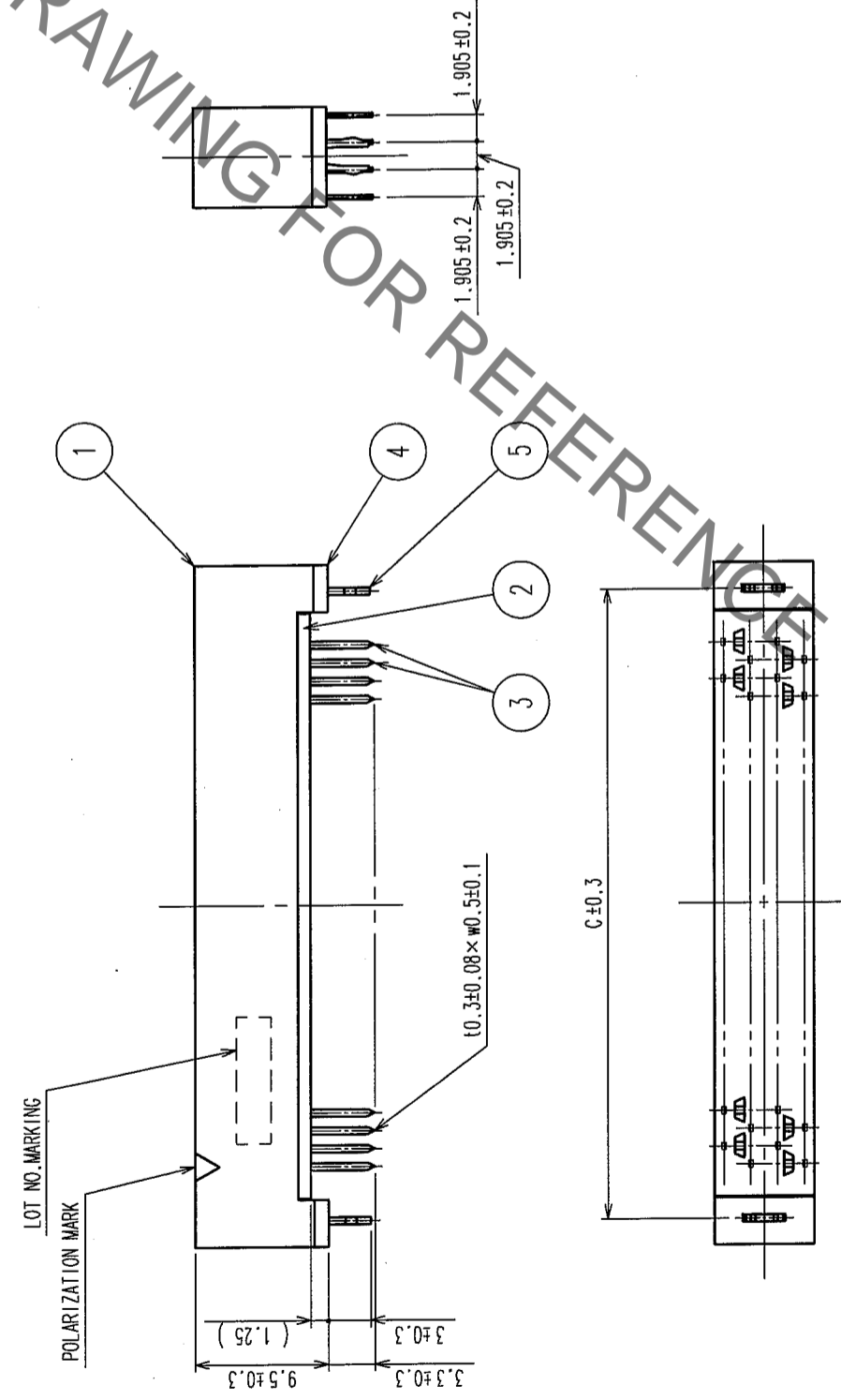
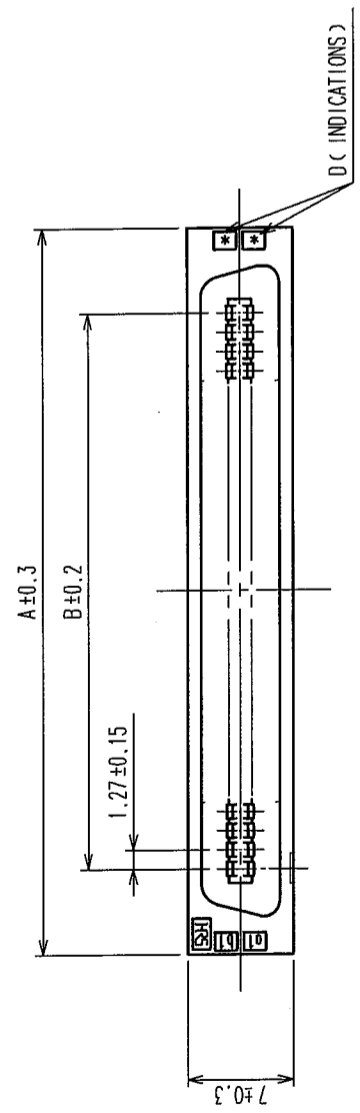
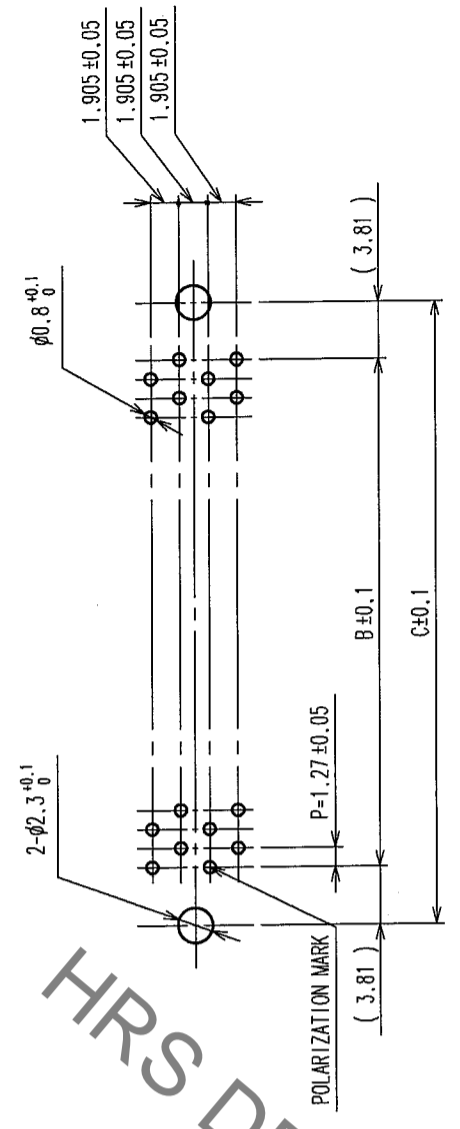


| COUNT | DESCRIPTION OF REVISIONS | BY | CHKD | DATE | COUNT | DESCRIPTION OF REVISIONS | BY | CHKD | DATE |
|-------|--------------------------|----|------|------|-------|--------------------------|----|------|------|
| | | | | | | | | | |
| | | | | | | | | | |
| | | | | | | | | | |



RECOMMEND PC BOARD HOLE PATTERN (MOUNTING SIDE)
t=1.6



| PART No. | CODE No. | 2 | A | B | C | D |
|--------------------------|-----------------|-----|-------|-------|-------|----|
| FX2C1-20P-1.27DSAL (71) | CL572-2261-0-71 | 20 | 22.75 | 11.43 | 19.05 | 10 |
| FX2C1-32P-1.27DSAL (71) | CL572-2262-2-71 | 32 | 30.37 | 19.05 | 26.67 | 16 |
| FX2C1-40P-1.27DSAL (71) | CL572-2263-5-71 | 40 | 35.45 | 24.13 | 31.75 | 20 |
| FX2C1-52P-1.27DSAL (71) | CL572-2264-8-71 | 52 | 43.07 | 31.75 | 39.37 | 26 |
| FX2C1-60P-1.27DSAL (71) | CL572-2265-0-71 | 60 | 48.15 | 36.83 | 44.45 | 30 |
| FX2C1-68P-1.27DSAL (71) | CL572-2266-3-71 | 68 | 53.23 | 41.91 | 49.53 | 34 |
| FX2C1-80P-1.27DSAL (71) | CL572-2267-6-71 | 80 | 60.85 | 49.53 | 57.15 | 40 |
| FX2C1-100P-1.27DSAL (71) | CL572-2268-9-71 | 100 | 73.55 | 62.23 | 69.85 | 50 |
| FX2C1-120P-1.27DSAL (71) | CL572-2269-1-71 | 120 | 86.25 | 74.93 | 82.55 | 60 |

NOTES 1. THE DIMENSIONS IN PARENTHESES ARE FOR REFERENCE.
2. NUMBER OF PIN.

| | | | | | | |
|----------------|-----------------|-----------------|--------------------------|-----------------|-------------------------------|----------|
| 5 | PHOSPHOR BRONZE | TIN-PLATING | 3 | PHOSPHOR BRONZE | CONTACT AREA: GOLD 0.2μm min | |
| 4 | POLYAMIDE | BLACK | UL94V-0 | | DIP AREA: TIN-PLATING 2μm min | |
| 1,2 | POLYAMIDE | BLACK | UL94V-0 | | UNDER PLATING: NICKEL 2μm min | |
| NO. | MATERIAL | FINISH, REMARKS | NO. | MATERIAL | FINISH, REMARKS | |
| CODE NO. (OLD) | CL | DRAWN | DESIGNED | CHECKED | APPROVED | RELEASED |
| | | I. OKAYAMA | K. NAKAMURA | H. OKAWA | H. OKAWA | |
| | | 04.06.02 | 04.06.02 | 04.06.09 | 04.06.09 | |
| DRAWING NO. | EDC3-083048-21 | PART NO. | FX2C1-**-P-1.27DSAL (71) | | | |
| SCALE | FREE | CODE NO. | CL572 | | | |
| UNITS | MM | | | | | |

| | |
|-----|--|
| TO | |
| PCK | |

X-ON Electronics

Largest Supplier of Electrical and Electronic Components

Click to view similar products for [Board to Board & Mezzanine Connectors](#) category:

Click to view products by [Hirose](#) manufacturer:

Other Similar products are found below :

[589158040000018](#) [MDF7C-18P-2.54DSA\(55\)](#) [FCN-230C068-11](#) [FCN-268F012-G/BD](#) [FCN-268F036-G/BD](#) [FCN-268M012-G/0D](#) [FCN-268M024-G/1D](#) [FCN-723J004/1](#) [MIS-048-01-F-D-DP-K](#) [832-10-034-10-001000](#) [FX4C-80S-1.27DSA](#) [FCN-214Q030-G/0](#) [FCN-234P048-G/0](#) [FCN-235D050-G/C](#) [210-93-314-41-105000](#) [2-22603-0](#) [MDF7-40DP-2.54DSA\(55\)](#) [AXG720047](#) [MIT-114-03-F-D-K](#) [55323-1519](#) [DF33-2P-3.3DSA\(24\)](#) [YFT-20-05-H-03-SB-K](#) [503308-3040](#) [026-6203-PDB](#) [027-6203-PDB](#) [069159702701000](#) [10123981-102LF](#) [101A10019X](#) [55650-0588-C](#) [68682-310LF](#) [68684-306](#) [75140-7012](#) [87471-650](#) [YTW-30-07-H-Q-410-140](#) [FCN-268F024-G0D](#) [10124054-515LF](#) [68685-603](#) [8-1616154-3](#) [MIS-019-01-F-D](#) [FCN-268M024-G/3D](#) [FCN-268M036-G/BD](#) [20021832-06016C1LF](#) [KX15-20KLDL-E1000E](#) [AXE810124](#) [FCN-214J100-G/0](#) [FCN-230C068-E/S](#) [AXE812124](#) [AXE816124](#) [AXE720127](#) [354184](#)