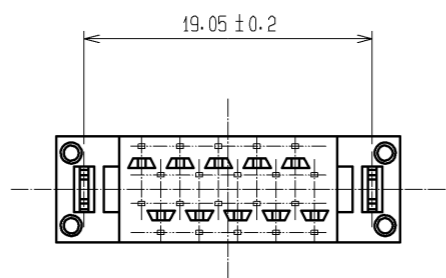
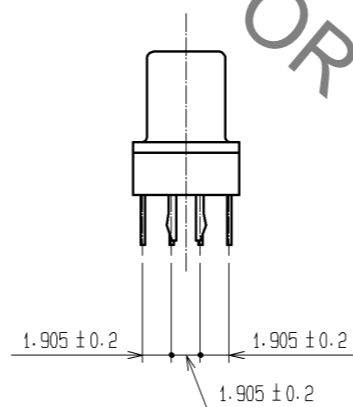
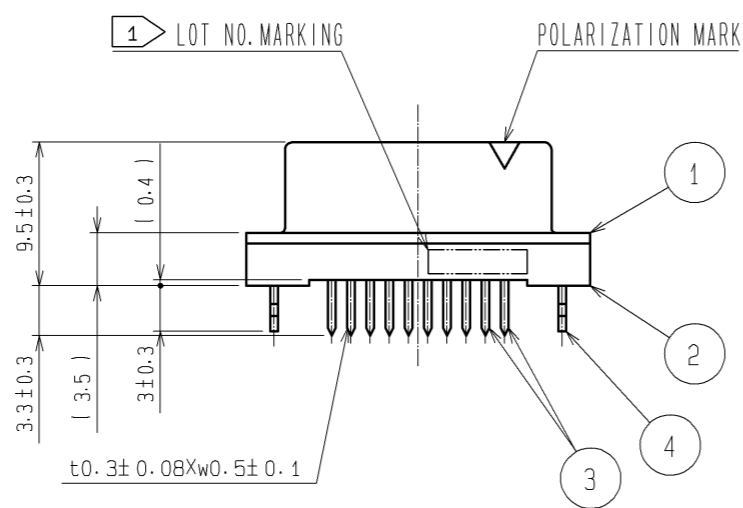
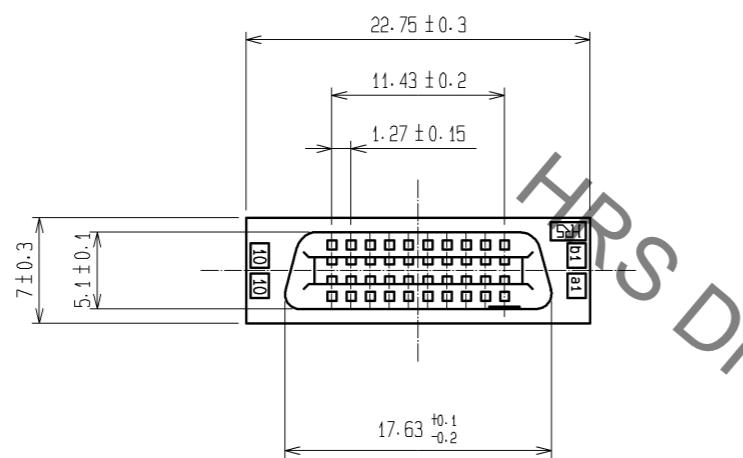
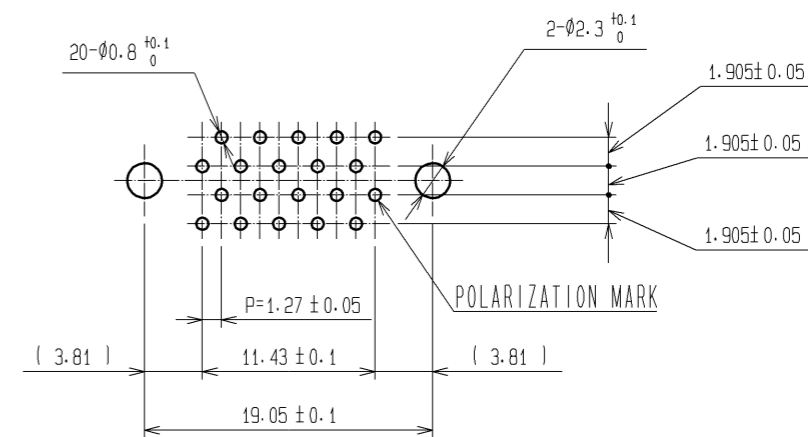


Sep.1.2021 Copyright 2021 HIROSE ELECTRIC CO., LTD. All Rights Reserved.
 In case of consideration for using Automotive equipment / device which demand high reliability, kindly contact our sales window correspondents.



RECOMMENDED PC BOARD HOLE PATTERN
 (MOUNTING SIDE) t=1.6



- NOTES 1. LOT NO. MARKING SIDE SHALL BE OPTIONAL.
 2. THE DIMENSIONS IN PARENTHESES ARE FOR REFERENCE.

| 4 | PHOSPHOR BRONZE | TIN-PLATING | 3 | PHOSPHOR BRONZE | CONTACT AREA : GOLD 0.2µm min. DIP AREA : TIN-PLATING 2µm min. |
|--------------------------------------|-----------------|----------------------------------|-------------|--------------------------|---|
| 1.2 | POLYAMIDE | BLACK , UL94V-0 | | | UNDER PLATING : NICKEL 2µm min. |
| NO. | MATERIAL | FINISH , REMARKS | NO. | MATERIAL | FINISH , REMARKS |
| UNITS mm | | SCALE 2 : 1 | COUNT | DESCRIPTION OF REVISIONS | |
| HRS HIROSE ELECTRIC CO., LTD. | | APPROVED : HS. OKAWA 07.08.10 | DESIGNED | | CHECKED |
| | | CHECED : HS. OZAWA 07.08.10 | DATE | | |
| | | DESIGNED : KY. NAKAMURA 07.08.10 | DRAWING NO. | | EDC3-083187-21 |
| | | DRAWN : TP. MATSUMOTO 07.08.09 | PART NO. | | FX2C-20S-1.27DSAL(71) |
| | | | CODE NO. | | CL572-2451-5-71 |

X-ON Electronics

Largest Supplier of Electrical and Electronic Components

Click to view similar products for [Board to Board & Mezzanine Connectors](#) category:

Click to view products by [Hirose](#) manufacturer:

Other Similar products are found below :

[589158040000018](#) [MDF7C-18P-2.54DSA\(55\)](#) [FCN-230C068-11](#) [FCN-268F012-G/BD](#) [FCN-268F036-G/BD](#) [FCN-268M012-G/0D](#) [FCN-268M024-G/1D](#) [FCN-723J004/1](#) [MIS-048-01-F-D-DP-K](#) [832-10-034-10-001000](#) [FX4C-80S-1.27DSA](#) [FCN-214Q030-G/0](#) [FCN-234P048-G/0](#) [FCN-235D050-G/C](#) [210-93-314-41-105000](#) [2-22603-0](#) [MDF7-40DP-2.54DSA\(55\)](#) [AXG720047](#) [MIT-114-03-F-D-K](#) [55323-1519](#) [DF33-2P-3.3DSA\(24\)](#) [YFT-20-05-H-03-SB-K](#) [503308-3040](#) [026-6203-PDB](#) [027-6203-PDB](#) [069159702701000](#) [10123981-102LF](#) [101A10019X](#) [55650-0588-C](#) [68682-310LF](#) [68684-306](#) [75140-7012](#) [87471-650](#) [YTW-30-07-H-Q-410-140](#) [FCN-268F024-G0D](#) [10124054-515LF](#) [68685-603](#) [8-1616154-3](#) [MIS-019-01-F-D](#) [FCN-268M024-G/3D](#) [FCN-268M036-G/BD](#) [20021832-06016C1LF](#) [KX15-20KLDL-E1000E](#) [AXE810124](#) [FCN-214J100-G/0](#) [FCN-230C068-E/S](#) [AXE812124](#) [AXE816124](#) [AXE720127](#) [354184](#)