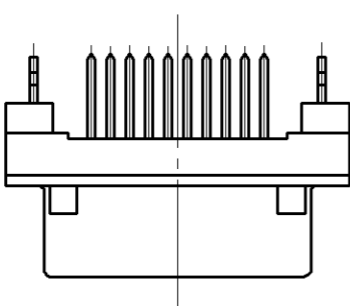
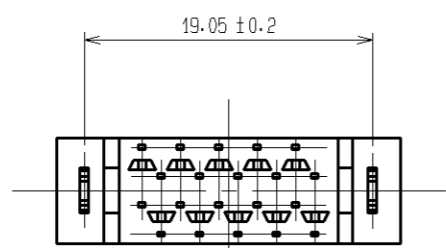
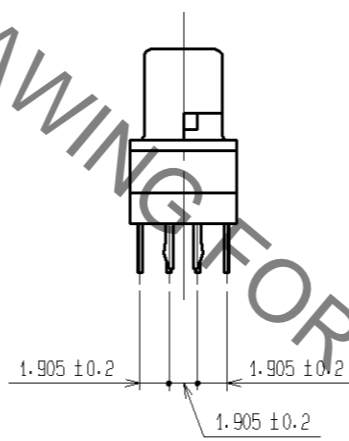
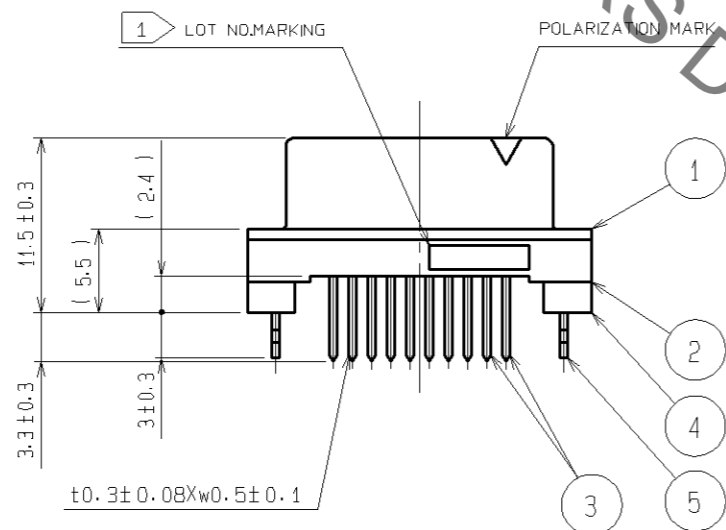
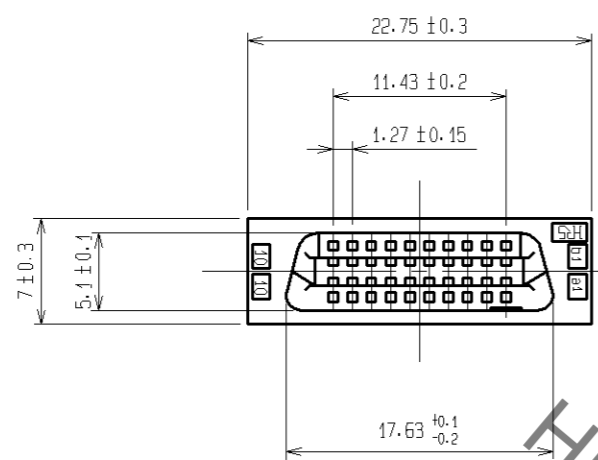
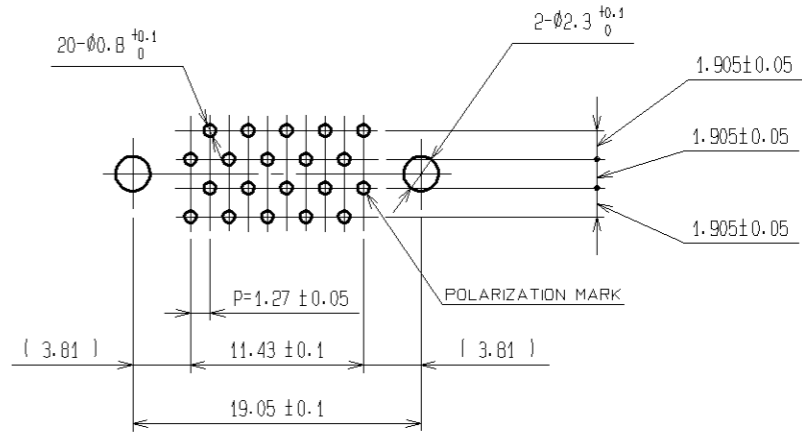


Sep.1.2021 Copyright 2021 HIROSE ELECTRIC CO., LTD. All Rights Reserved.
In case of consideration for using Automotive equipment / device which demand high reliability, kindly contact our sales window correspondents.



RECOMMENDED PC BOARD HOLE PATTERN
(MOUNTING SIDE) t=1.6



HRS DRAWING FOR REFERENCE

NOTE 1 LOT NO. MARKING SIDE SHALL BE OPTIONAL.
2 THE DIMENSIONS IN PARENTHESES ARE FOR REFERENCE.

5	PHOSPHOR BRONZE	TIN-PLATING	3	PHOSPHOR BRONZE	CONTACT AREA:GOLD 0.2 μm min.			
1,2,4	POLYAMIDE	BLACK UL94V-0			DIP AREA:TIN-PLATING 2 μm min.			
					UNDER PLATING:NICKEL 2 μm min.			
NO.	MATERIAL	FINISH. REMARKS	NO.	MATERIAL	FINISH. REMARKS			
UNITS	⊙	SCALE	△	DESCRIPTION OF REVISIONS		DESIGNED	CHECKED	DATE
mm		2 : 1						
HRS HIROSE ELECTRIC CO., LTD.		APPROVED : HS.OKAWA	06.09.25	DRAWING NO. EDC3-083267-21				
		CHECKED : HS.OZAWA	06.09.25	PART NO. FX2CA2-20S-1.27DSAL(71)				
		DESIGNED : TK.YANAGISAWA	06.09.25	CODE NO. CL572-2571-7-71				
		DRAWN : TK.YANAGISAWA	06.09.25					

X-ON Electronics

Largest Supplier of Electrical and Electronic Components

Click to view similar products for [Board to Board & Mezzanine Connectors](#) category:

Click to view products by [Hirose](#) manufacturer:

Other Similar products are found below :

[589158040000018](#) [MDF7C-18P-2.54DSA\(55\)](#) [FCN-230C068-11](#) [FCN-268F012-G/BD](#) [FCN-268F036-G/BD](#) [FCN-268M012-G/0D](#) [FCN-268M024-G/1D](#) [FCN-723J004/1](#) [MIS-048-01-F-D-DP-K](#) [832-10-034-10-001000](#) [FX4C-80S-1.27DSA](#) [FCN-214Q030-G/0](#) [FCN-234P048-G/0](#) [FCN-235D050-G/C](#) [210-93-314-41-105000](#) [2-22603-0](#) [MDF7-40DP-2.54DSA\(55\)](#) [AXG720047](#) [MIT-114-03-F-D-K](#) [55323-1519](#) [DF33-2P-3.3DSA\(24\)](#) [YFT-20-05-H-03-SB-K](#) [503308-3040](#) [026-6203-PDB](#) [027-6203-PDB](#) [069159702701000](#) [10123981-102LF](#) [101A10019X](#) [55650-0588-C](#) [68682-310LF](#) [68684-306](#) [75140-7012](#) [87471-650](#) [YTW-30-07-H-Q-410-140](#) [FCN-268F024-G0D](#) [10124054-515LF](#) [68685-603](#) [8-1616154-3](#) [MIS-019-01-F-D](#) [FCN-268M024-G/3D](#) [FCN-268M036-G/BD](#) [20021832-06016C1LF](#) [KX15-20KLDL-E1000E](#) [AXE810124](#) [FCN-214J100-G/0](#) [FCN-230C068-E/S](#) [AXE812124](#) [AXE816124](#) [AXE720127](#) [354184](#)