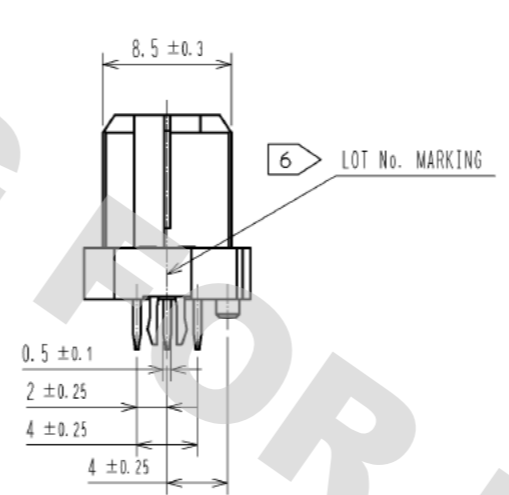
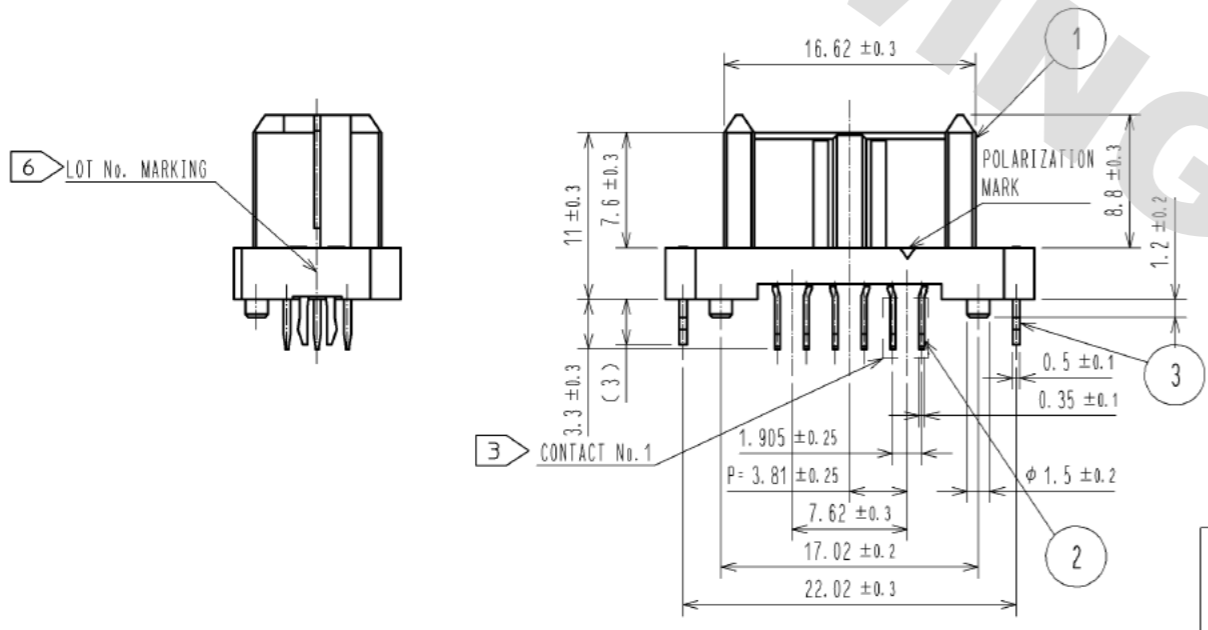
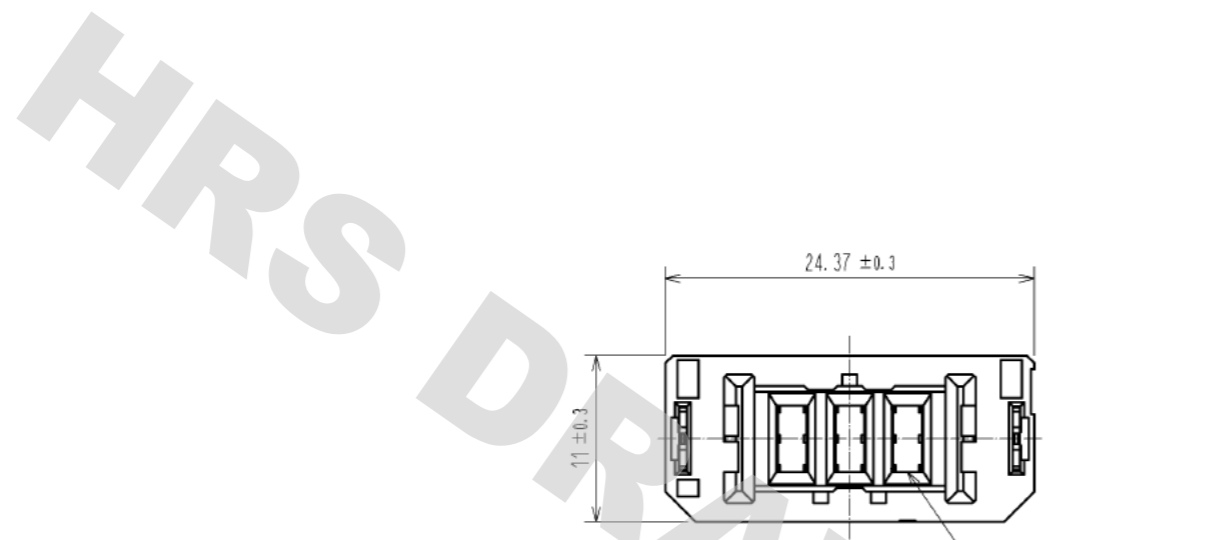
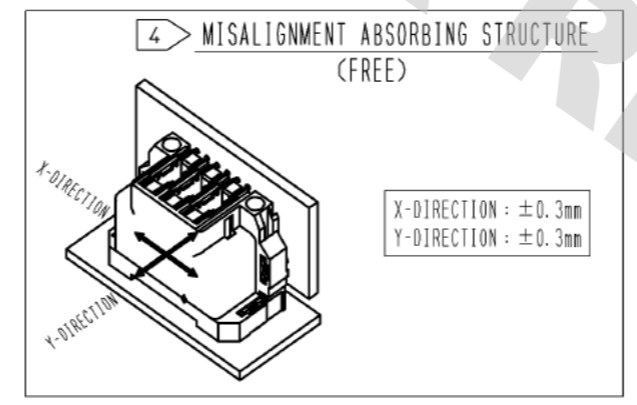
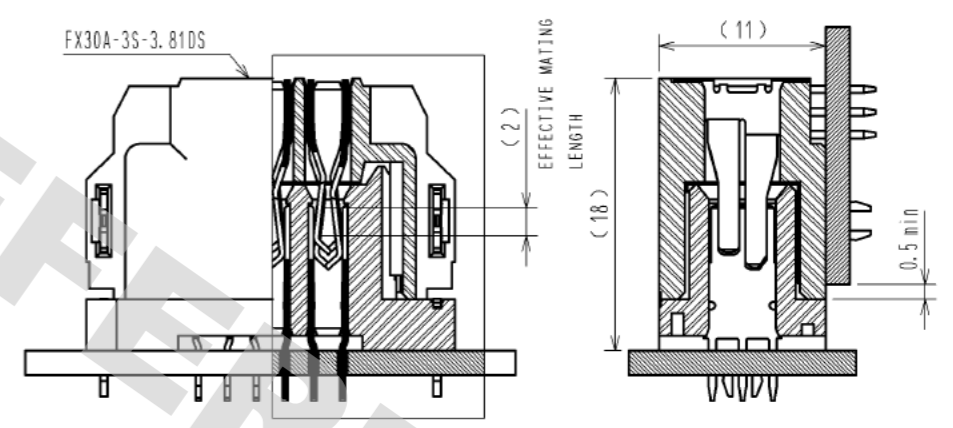


DRAWING FOR REFERENCE: This is subject to change without notice
05/31/2013



CROSS SECTION OF MATING(FREE)
VERTICAL CONNECTION

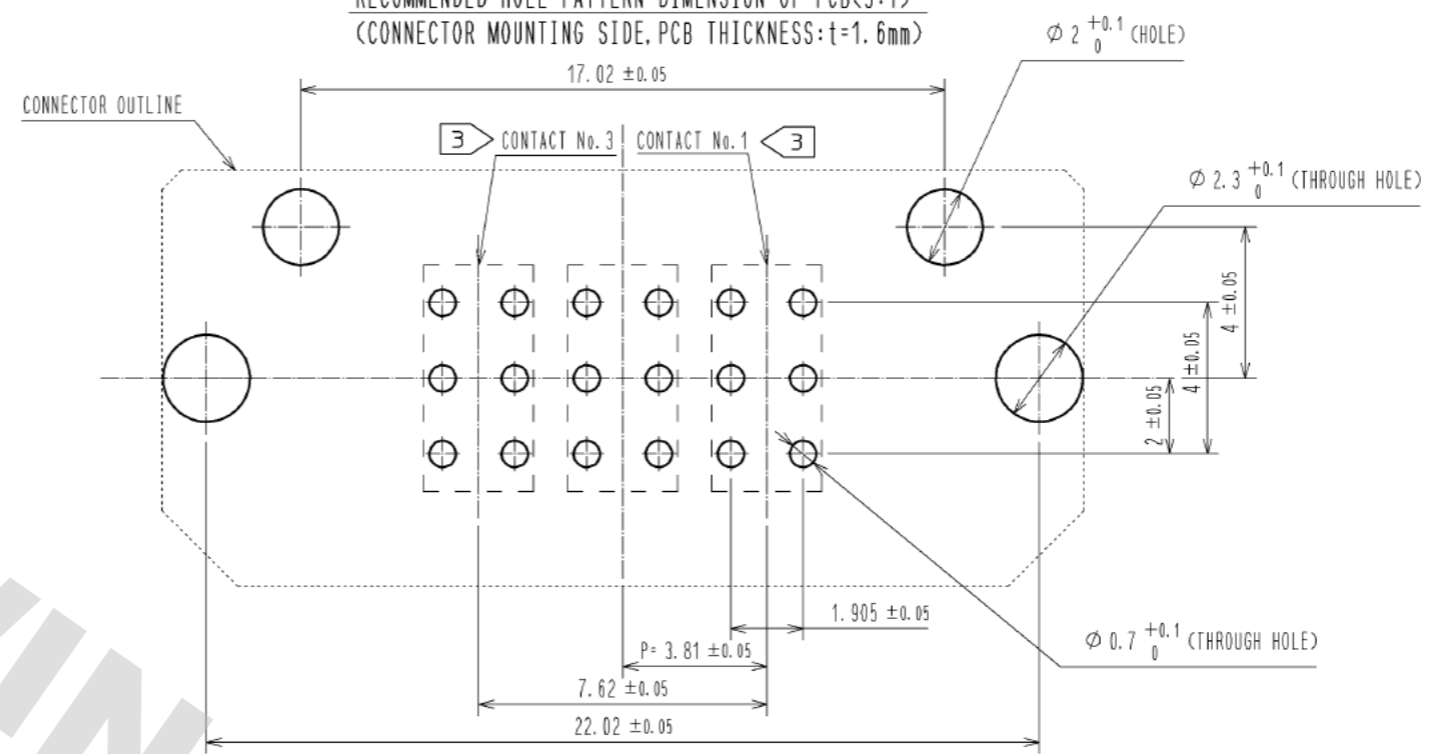


- NOTE
- 1 THIS PRODUCT IS PACKAGED IN TRAY. (70pcs/TRAY)
 - 2 BLEMISH AND HIT MARK CAN BE OCCURED THROUGH OUT THE MANUFACTURING PROCESS WHICH DOSEN'T AFFECT QUALITY LEVEL. ALSO, BLACK SPOT COULD BE OBSERVED ON THE SURFACE OF HOUSING.
 - 3 EACH CONTACT NO. IS APPLIED TO ADJACENT 6 LEADS AS A LINE.
 - 4 MISALIGNMENT ABSORBING RANGE: ±0.3mm max.
 - 5 THE DIMENSION IN PARENTHESES ARE FOR REFERENCES.
 - 6 LOT NO. IS INDICATED AT EITHER ONE OF THE POSITION AS SHOWN.

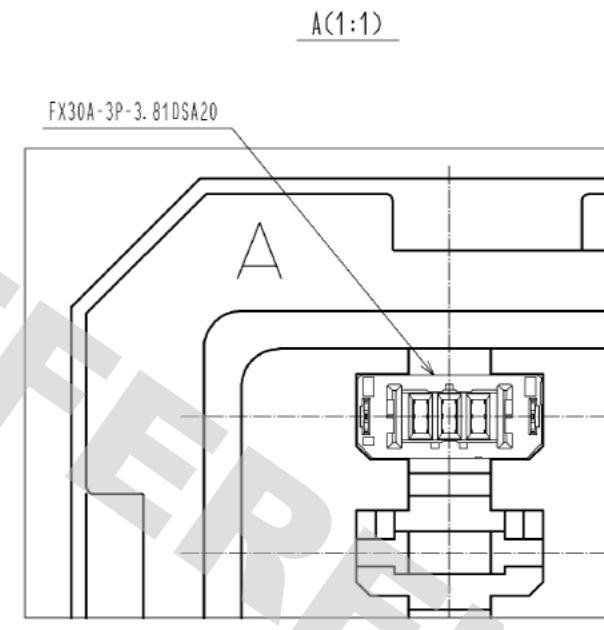
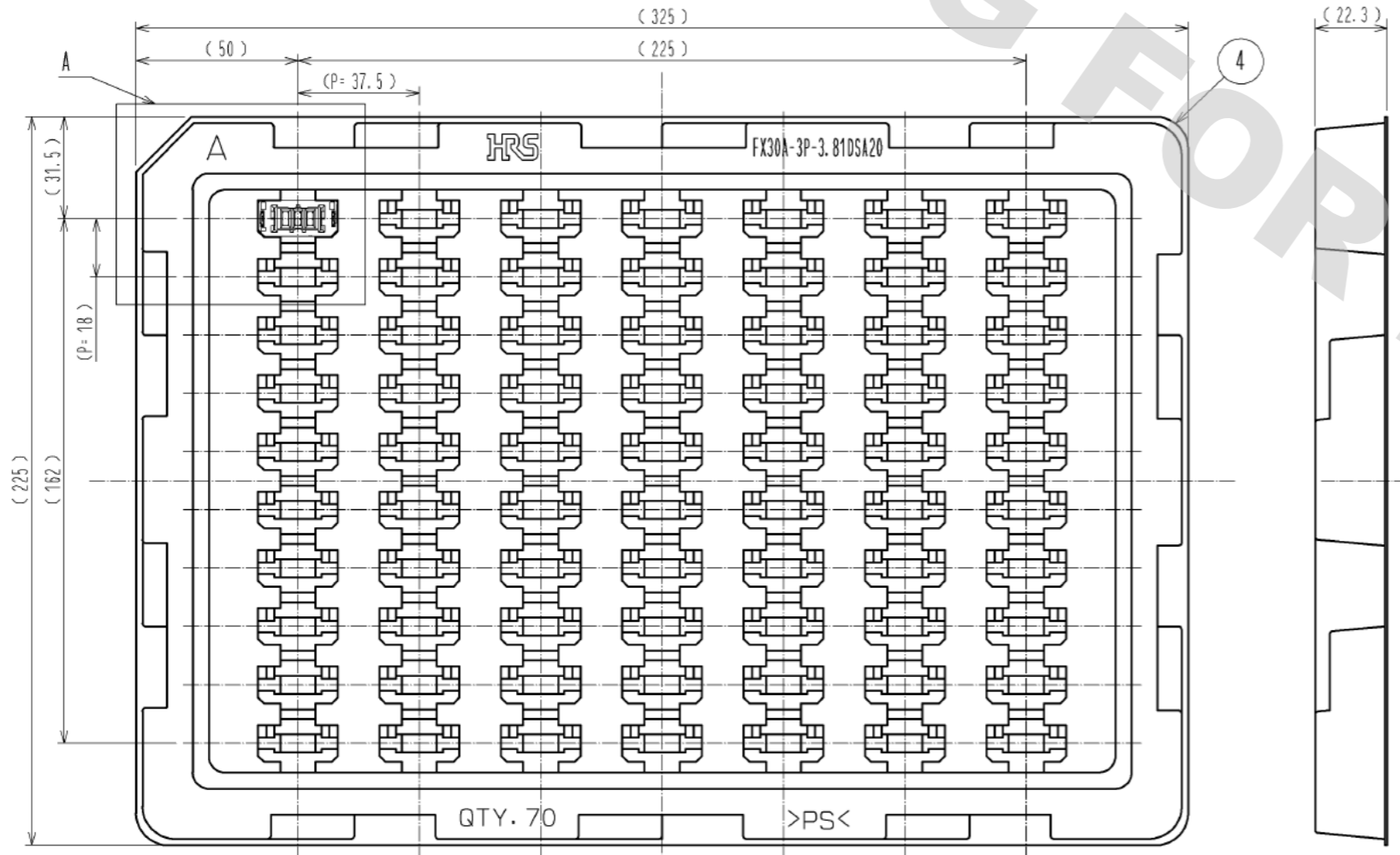
2	COPPER ALLOY	CONTACT AREA:GOLD-PLATING 0.1 μm	4	POLYSTYRENE			
		LEAD AREA:TIN-PLATING 1.0 μm					
		UNDER PLATING:NICKEL 1.0 μm	3	PHOSPHOR BRONZE	TIN-PLATING 3.0 μm		
1	POLYAMIDE	BLACK UL94V-0			UNDER PLATING:NICKEL 1.0 μm		
NO.	MATERIAL	FINISH . REMARKS	NO.	MATERIAL	FINISH . REMARKS		
UNITS mm		SCALE 2 : 1	COUNT 	DESCRIPTION OF REVISIONS	DESIGNED	CHECKED	DATE
HRS HIROSE ELECTRIC CO., LTD.		APPROVED : HS. OKAWA	12.06.15	DRAWING NO.	EDC3-341813-00		
		CHECKED : KI. HIROKAWA	12.06.15	PART NO.	FX30A-3P-3.81DSA20		
		DESIGNED : DK. AIMOTO	12.06.14	CODE NO.	CL570-2101-0-00		
		DRAWN : DK. AIMOTO	12.06.14				

DRAWING FOR REFERENCE: This is subject to change without notice
05/31/2013

RECOMMENDED HOLE PATTERN DIMENSION OF PCB(5:1)
(CONNECTOR MOUNTING SIDE, PCB THICKNESS: t=1.6mm)



1 DRAWING FOR PACKAGING(1:2)



HRS	DRAWING NO.	EDC3-341813-00	
	PART NO.	FX30A-3P-3.81DSA20	
	CODE NO.	CL570-2101-0-00	

X-ON Electronics

Largest Supplier of Electrical and Electronic Components

Click to view similar products for [Hirose manufacturer](#):

Other Similar products are found below :

[HR212-10P-8P\(71\)](#) [RM15TPN-10PC\(71\)](#) [SC-1634](#) [MDF7-40DP-2.54DSA\(55\)](#) [FX2-100S-1.27SVL\(71\)](#) [GT5H-1PP-HU\(10\)](#) [HLS-JJ-1\(40\)](#)
[DF13EA-30DP-1.25V\(55\)](#) [RM15WTRZ-12S\(71\)](#) [RM21TP-20P\(71\)](#) [MRF18-8P-178BU](#) [MS-156R-NJ-1](#) [DX30AM-100P](#) [HR10A-10R-10SB\(72\)](#) [HR10G-10R-12S\(71\)](#) [HR212-10P-8P\(72\)](#) [HR25-7TP-8P\(73\)](#) [HR25-9TR-12P\(71\)](#) [HR25A-7J-4P](#) [HR30-7P-C\(71\)](#) [HRM-513S](#)
[HRMP-X.FLJ](#) [PCN10-44P-2.54DSA\(72\)](#) [AP105-DF11-2428S\(63\)](#) [FX2C2-68S-1.27DSAL\(71\)](#) [PO51-LR-PC-1\(40\)](#) [HIF6-68D-1.27R\(20\)](#)
[HOS-7](#) [HR10A-10WTR-12P\(74\)](#) [HR10A-13P-20SC\(73\)](#) [HR10A-13TPD-20P\(73\)](#) [HR22-12WTRA-20PC\(73\)](#) [HR25A-7R-8P](#) [U.FL-LP\(V\)-04N1-A-\(500\)](#) [LF13WBP-20S](#) [DF3EA-2P-2V\(50\)](#) [DH-37-CMB\(8.8\)](#) [U.FL-2LP-068N1-A-\(50\)](#) [U.FL-2LP-062N1D-A-\(100\)](#) [A4B-13PA-2DS\(71\)](#) [QR/P-12S-C\(51\)](#) [JR25WCC-16\(71\)](#) [JR16WCC-10\(71\)](#) [CM-105\(92\)](#) [LF13BJ-T01](#) [HT802/HR41A-11-18](#) [HT802/DF64-1822P](#)
[HT802/DF63W-1618S-2](#) [HT801/DF62-30\(10\)](#) [HT305/DF61-2226S](#)