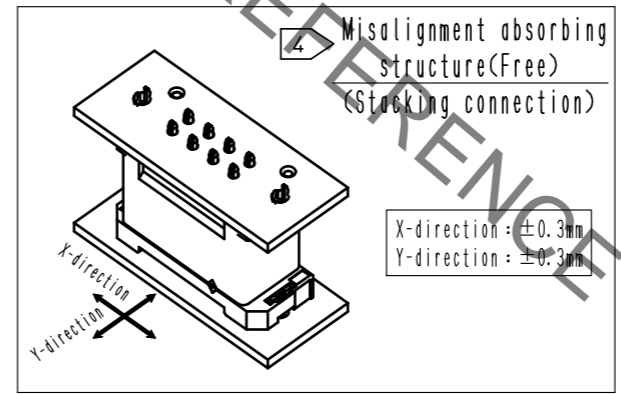
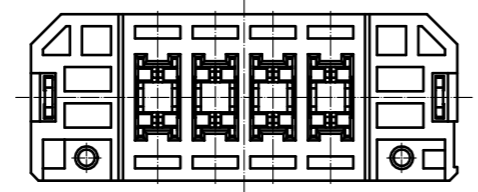
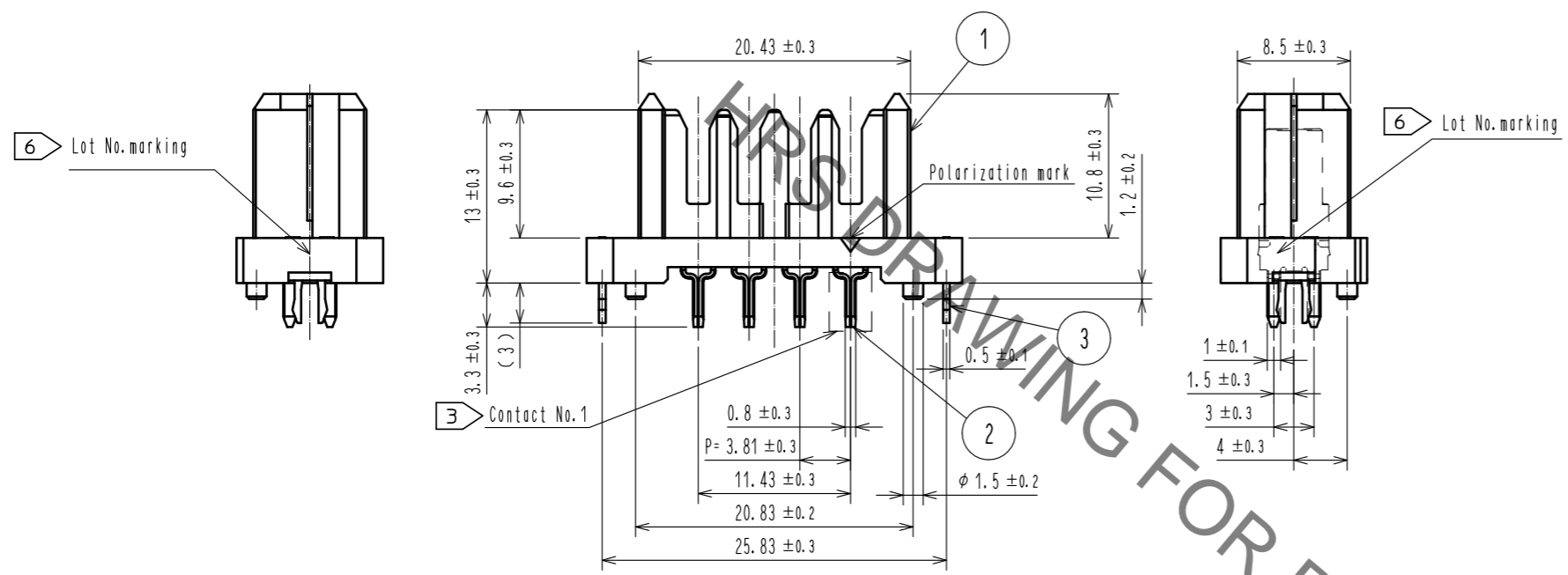
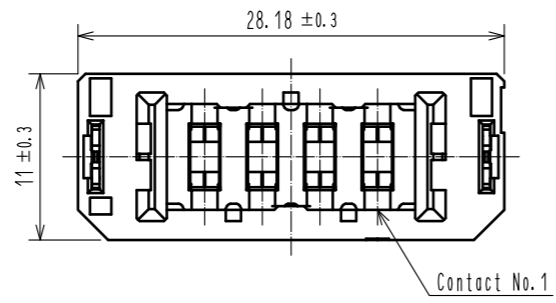
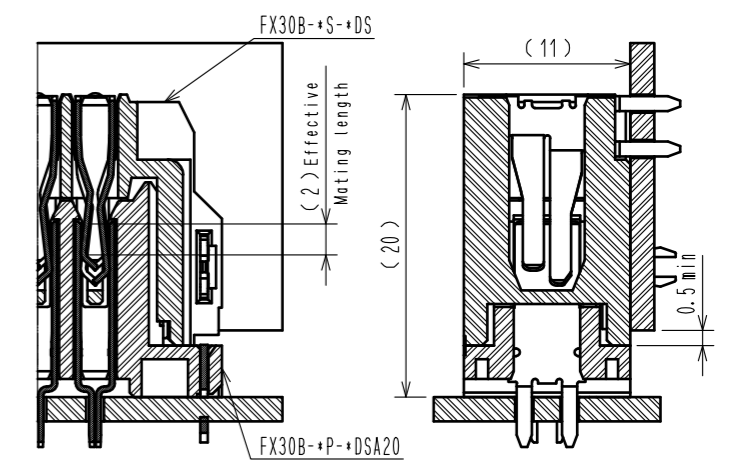


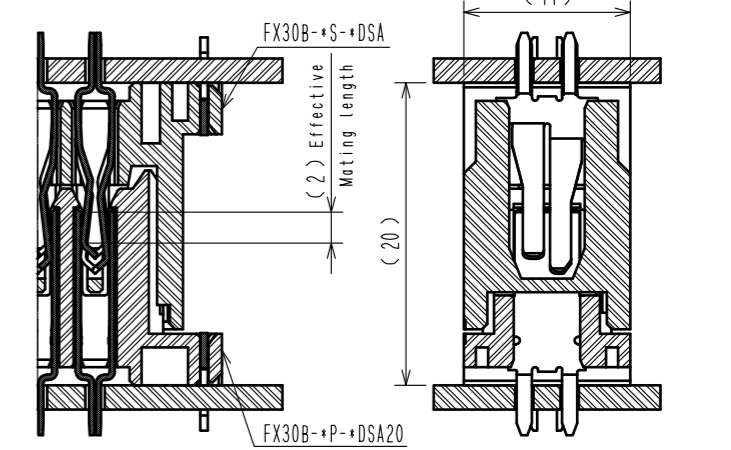
Aug.1.2021 Copyright 2021 HIROSE ELECTRIC CO., LTD. All Rights Reserved.
In case of consideration for using Automotive equipment / device which demand high reliability, kindly contact our sales window correspondents.



Cross section of mating(Free)
Vertical connection



Cross section of mating(Free)
Stacking connection



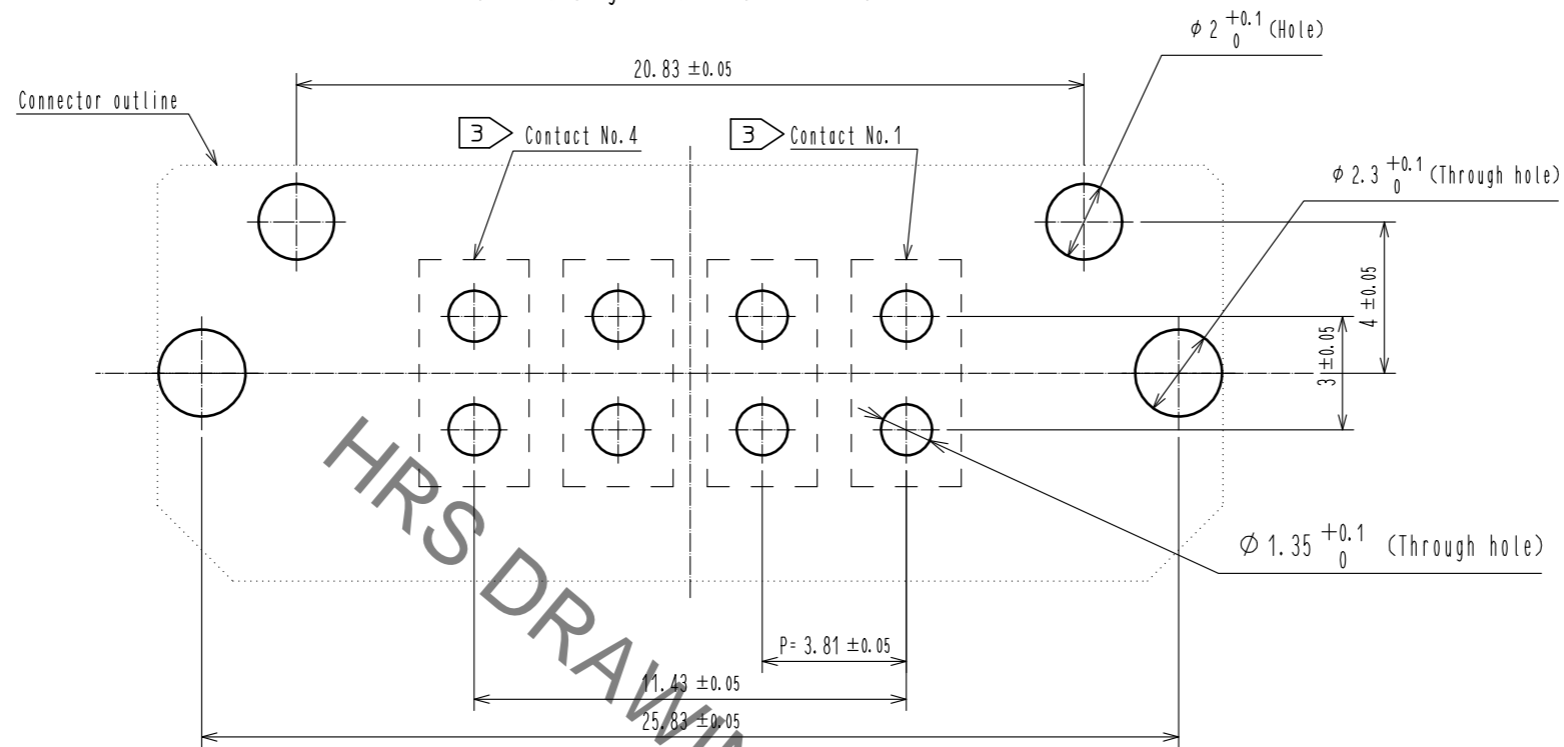
- Note
- ① This product is packaged in tray. (35pcs/tray)
 - ② Blemish and hit mark can be occurred through out the manufacturing process which doesn't affect quality level. Also, black spot could be observed on the surface of housing.
 - ③ For the contact No., adjacent two pairs of leads placed back-to-back (4 leads in total) compose one line.
 - ④ Misalignment absorbing range: ± 0.3mm max.
 - ⑤ The dimension in parentheses are for references.
 - ⑥ Lot No. is indicated at either one of the position as shown.
 - ⑦ UL (File No. E52653)
C-UL (File No. E52653)
 - ⑧ TÜV (Certificate No. R50275872) authorization article.

2	COPPER ALLOY	CONTACT AREA: GOLD-PLATING 0.1 μm	4	POLYSTYRENE	TIN-PLATING 3.0 μm			
		LEAD AREA: TIN-PLATING 1.0 μm						
		UNDER PLATING: NICKEL 1.0 μm						
1	POLYAMIDE	BLACK UL94V-0	3	PHOSPHOR BRONZE	UNDER PLATING: NICKEL 1.0 μm			
NO.	MATERIAL	FINISH . REMARKS	NO.	MATERIAL	FINISH . REMARKS			
UNITS mm		SCALE 2 : 1	COUNT 1	DESCRIPTION OF REVISIONS DIS-F-00006019		DESIGNED AK. IWAHORI	CHECKED HT. YAMAGUCHI	DATE 20200406
HRS HIROSE ELECTRIC CO., LTD.		APPROVED : HS. OKAWA 20130313	DRAWING NO. EDC3-347257-00					
		CHECED : KI. HIROKAWA 20130312	PART NO. FX30B-4P-3. 81DSA20					
		DESIGNED : DK. AIMOTO 20130311	CODE NO. CL570-3102-9-00					
		DRAWN : DK. AIMOTO 20130311						

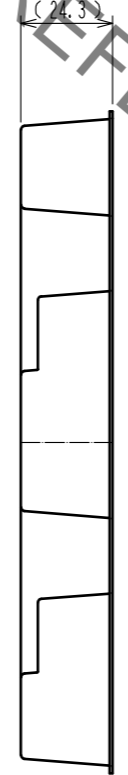
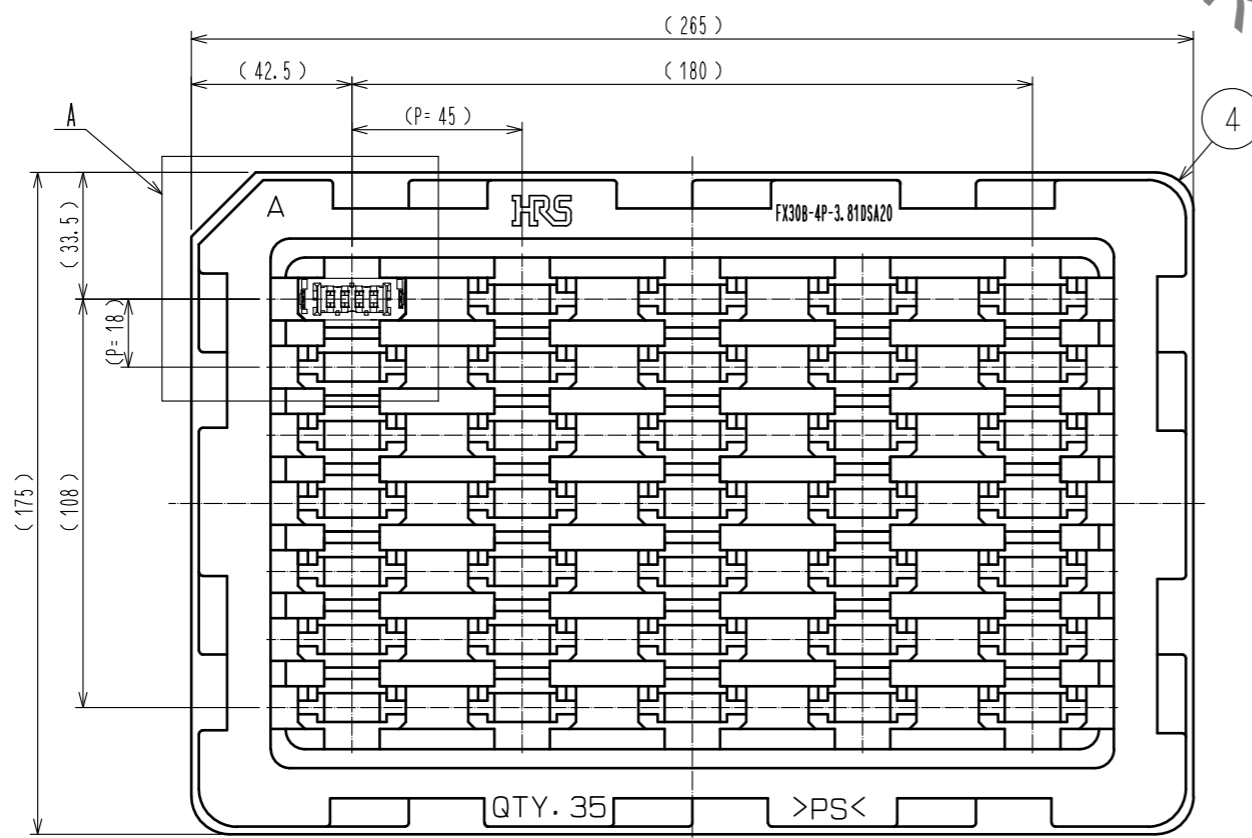


Aug.1.2021 Copyright 2021 HIROSE ELECTRIC CO., LTD. All Rights Reserved.
 In case of consideration for using Automotive equipment / device which demand high reliability, kindly contact our sales window correspondents.

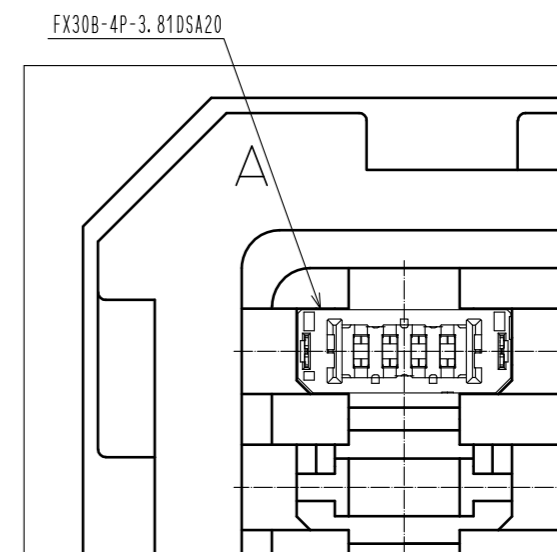
Recommended hole pattern dimension of PCB(5:1)
 (Connector mounting side, PCB thickness:t=1.6mm)



1 Drawing for packaging(1:2)



A(1:1)



HRS	DRAWING NO.	EDC3-347257-00	3/2
	PART NO.	FX30B-4P-3.81DSA20	
	CODE NO.	CL570-3102-9-00	

X-ON Electronics

Largest Supplier of Electrical and Electronic Components

Click to view similar products for [Board to Board & Mezzanine Connectors](#) category:

Click to view products by [Hirose](#) manufacturer:

Other Similar products are found below :

[589158040000018](#) [FCN-230C068-11](#) [FCN-268F012-G/BD](#) [FCN-268F036-G/BD](#) [FCN-268M012-G/0D](#) [FCN-268M024-G/1D](#) [FCN-723J004/1](#) [MIS-048-01-F-D-DP-K](#) [832-10-034-10-001000](#) [FX4C-80S-1.27DSA](#) [FCN-214Q030-G/0](#) [FCN-234P048-G/0](#) [FCN-235D050-G/C](#) [2-22603-0](#) [AXG720047](#) [5031084030](#) [MIT-114-03-F-D-K](#) [55323-1519](#) [YFT-20-05-H-03-SB-K](#) [503308-3040](#) [026-6203-PDB](#) [027-6203-PDB](#) [069159702701000](#) [10123981-102LF](#) [101A10019X](#) [55650-0588-C](#) [68682-310LF](#) [68684-306](#) [75140-7012](#) [87471-650](#) [YTW-30-07-H-Q-410-140](#) [194261-1](#) [FCN-268F024-G0D](#) [10124054-515LF](#) [68685-603](#) [8-1616154-3](#) [MIS-019-01-F-D](#) [FCN-268M024-G/3D](#) [FCN-268M036-G/BD](#) [20021832-06016C1LF](#) [KX15-20KLDL-E1000E](#) [AXE810124](#) [FCN-214J100-G/0](#) [FCN-230C068-E/S](#) [AXE812124](#) [AXE816124](#) [AXE720127](#) [354184](#) [MIT-019-04-F-D-K](#) [P50-028-DDS-TG](#)