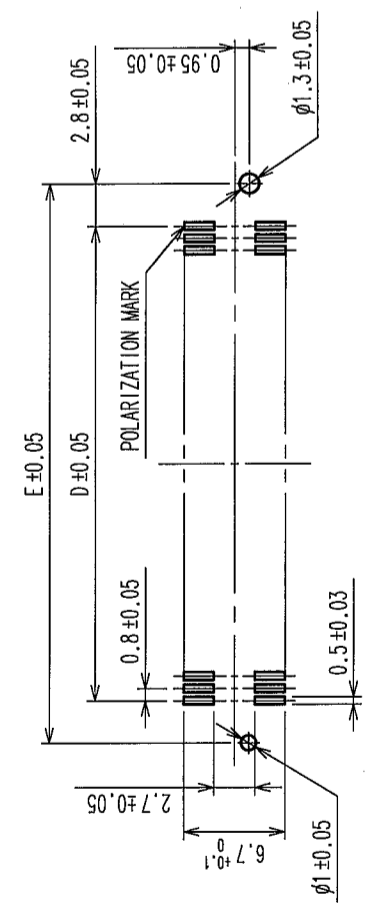
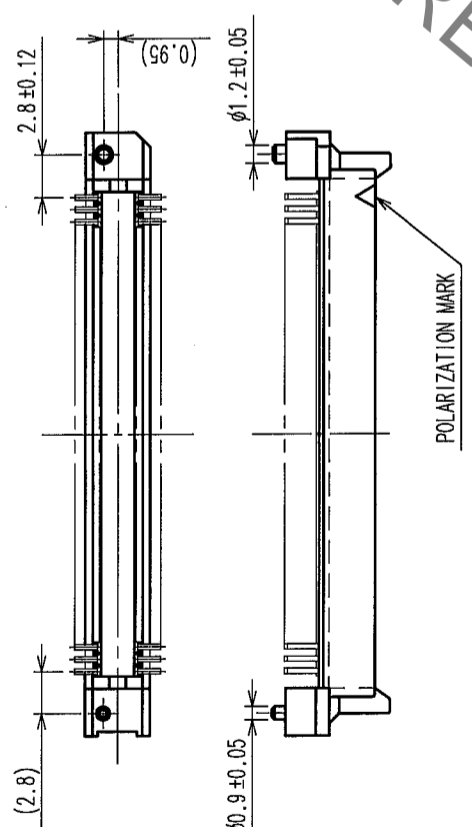
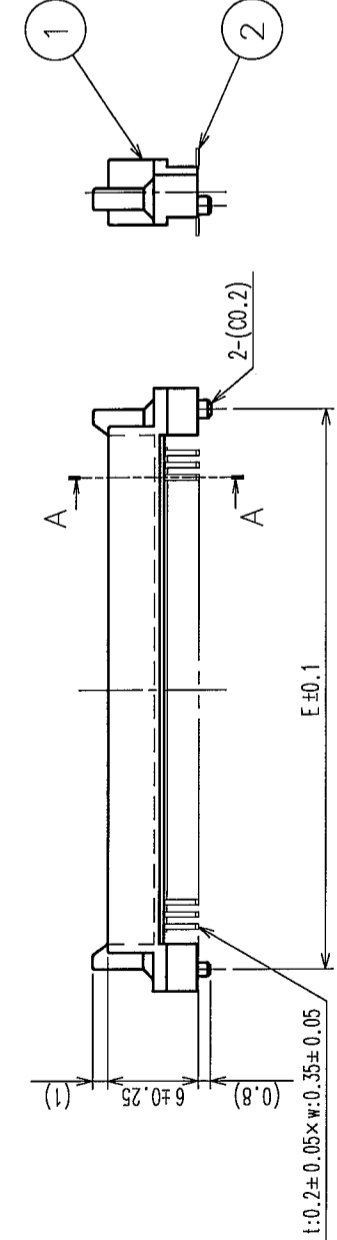
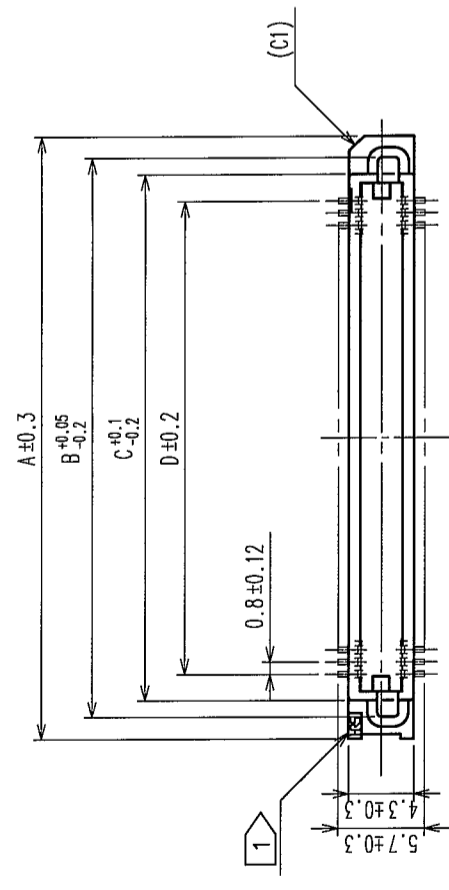
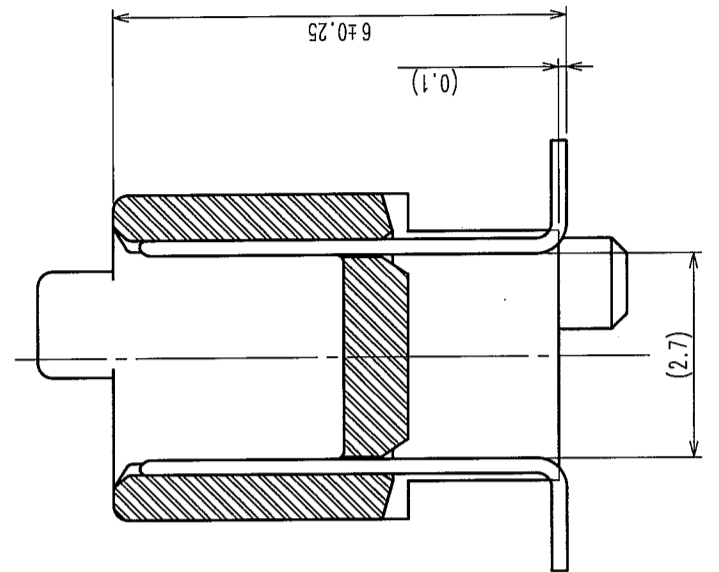


2 In case of consideration for using Automotive equipment / device which demand high reliability, kindly contact our sales window correspondents.

COUNT	DESCRIPTION OF REVISIONS	BY	CHKD	DATE	COUNT	DESCRIPTION OF REVISIONS	BY	CHKD	DATE
△									
△									
△									



A-A (10:1)



HRS DRAWING FOR REFERENCE

DIMENSION TABLE OF CONNECTOR AND P.C.B. LAND PATTERN.

PART No.	CODE No.	5	A	B	C	D	E
FX6-20P-0.8SV2(71)	CL576-0041-8-71	20	15.8	12.9	10.7	7.2	12.8
FX6-40P-0.8SV2(71)	CL576-0043-3-71	40	23.8	20.9	18.7	15.2	20.8
FX6-50P-0.8SV2(71)	CL576-0044-6-71	50	27.8	24.9	22.7	19.2	24.8
FX6-60P-0.8SV2(71)	CL576-0045-9-71	60	31.8	28.9	26.7	23.2	28.8
FX6-80P-0.8SV2(71)	CL576-0047-4-71	80	39.8	36.9	34.7	31.2	36.8
FX6-100P-0.8SV2(71)	CL576-0048-7-71	100	47.8	44.9	42.7	39.2	44.8

NOTE 1 HRS MARK SHOULD BE OPTIONAL.

2. LEAD CO-PLANARITY SHALL BE 0.1mm MAX.

3. FOR MODIFICATION, ETC., PREVENTIVE HOLE FOR SINK MARK MAY BE ADDED ACCORDING TO CIRCUMSTANCES.

4. THE DIMENSIONS IN PARENTHESES ARE FOR REFERENCE.

5 NUMBER OF CONTACTS.

RECOMMENDED LAND PATTERN DIMENSION OF P.C.B. (MOUNTING SIDE)

1	POLYPHENYLENE SULFIDE	LIGHT BROWN (UL94V-0)	2	PHOSPHOR BRONZE	CONTACT AREA: GOLD 0.1 μm min. LEAD AREA: TIN-PLATING 1 μm min. UNDER PLATING: NICKEL 1 μm min.
NO.	MATERIAL	FINISH, REMARKS	NO.	MATERIAL	FINISH, REMARKS
CL					
DRAWN		A. SUZUKAWA	DESIGNED	APPROVED	
DATE		05.07.13	DATE		05-07-14
DRAWN BY			DESIGNED BY		H. Doi
DATE			APPROVED BY		H. Oshima
SCALE		FREE	CHECKED		X. Ogawa
UNITS		mm	RELEASED		
DRAWING NO.		EDC3-152945-25		PART NO.	
SCALE				FX6-**P-0.8SV2(71)	
UNITS		mm		CODE NO.	
		HRS HIROSE ELECTRIC CO., LTD		CL576	
				1/1	

TO	
PCK	

X-ON Electronics

Largest Supplier of Electrical and Electronic Components

Click to view similar products for [Board to Board & Mezzanine Connectors](#) category:

Click to view products by [Hirose](#) manufacturer:

Other Similar products are found below :

[589158040000018](#) [MDF7C-18P-2.54DSA\(55\)](#) [FCN-230C068-11](#) [FCN-268F012-G/BD](#) [FCN-268F036-G/BD](#) [FCN-268M012-G/0D](#) [FCN-268M024-G/1D](#) [FCN-723J004/1](#) [MIS-048-01-F-D-DP-K](#) [832-10-034-10-001000](#) [FX4C-80S-1.27DSA](#) [FCN-214Q030-G/0](#) [FCN-234P048-G/0](#) [FCN-235D050-G/C](#) [210-93-314-41-105000](#) [2-22603-0](#) [MDF7-40DP-2.54DSA\(55\)](#) [AXG720047](#) [MIT-114-03-F-D-K](#) [55323-1519](#) [DF33-2P-3.3DSA\(24\)](#) [YFT-20-05-H-03-SB-K](#) [503308-3040](#) [026-6203-PDB](#) [027-6203-PDB](#) [069159702701000](#) [10123981-102LF](#) [101A10019X](#) [55650-0588-C](#) [68682-310LF](#) [68684-306](#) [75140-7012](#) [87471-650](#) [YTW-30-07-H-Q-410-140](#) [FCN-268F024-G0D](#) [10124054-515LF](#) [68685-603](#) [8-1616154-3](#) [MIS-019-01-F-D](#) [FCN-268M024-G/3D](#) [FCN-268M036-G/BD](#) [20021832-06016C1LF](#) [KX15-20KLDL-E1000E](#) [AXE810124](#) [FCN-214J100-G/0](#) [FCN-230C068-E/S](#) [AXE812124](#) [AXE816124](#) [AXE720127](#) [354184](#)