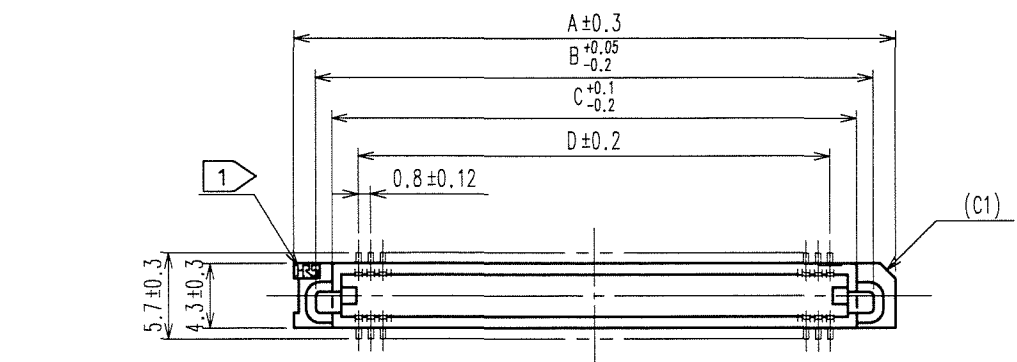
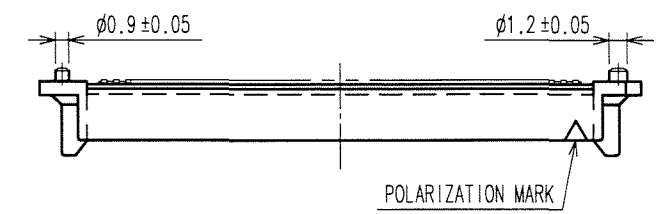
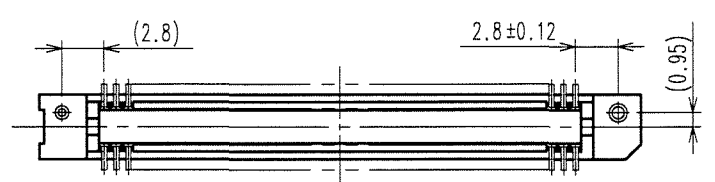
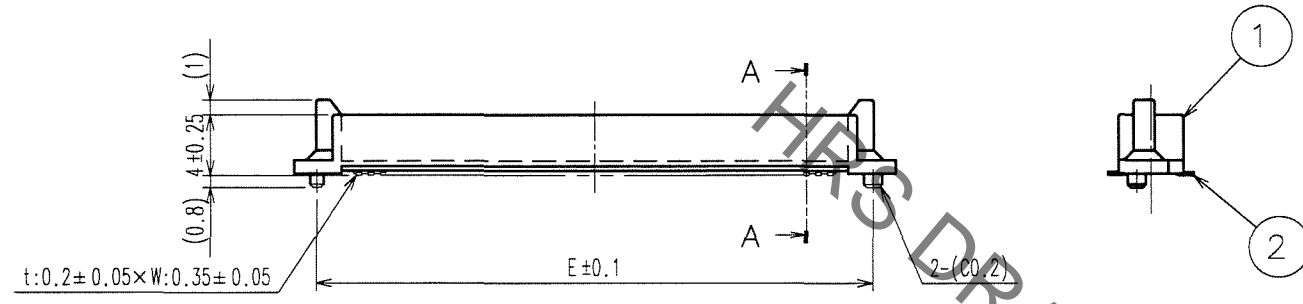
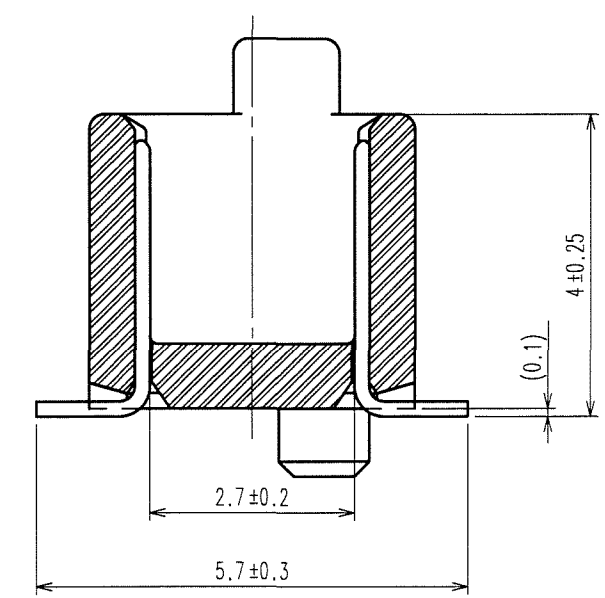


Aug.1.2021 Copyright 2021 HIROSE ELECTRIC CO., LTD. All Rights Reserved.
In case of consideration for using Automotive equipment / device which demand high reliability, kindly contact our sales window correspondents.

COUNT	DESCRIPTION OF REVISIONS	BY	CHKD	DATE	COUNT	DESCRIPTION OF REVISIONS	BY	CHKD	DATE
△				..	△				..
△				..	△				..
△				..	△				..



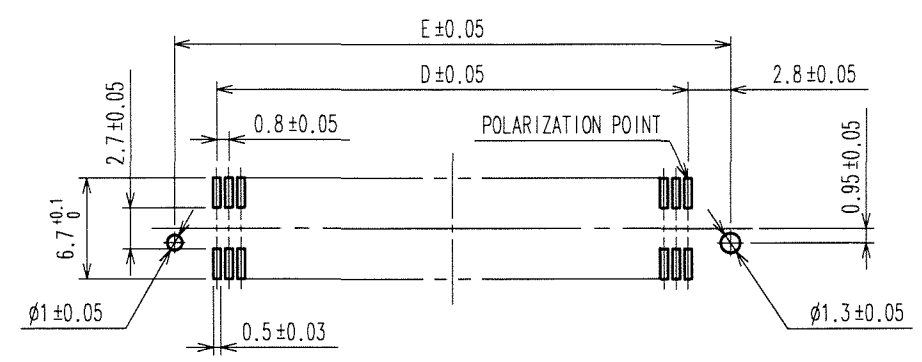
A-A(10:1)



PART No.	CODE No.	5	A	B	C	D	E
FX6- 20P-0.8SV(71)	CL576-0001-3-71	20	15.8	12.9	10.7	7.2	12.8
FX6- 40P-0.8SV(71)	CL576-0003-9-71	40	23.8	20.9	18.7	15.2	20.8
FX6- 50P-0.8SV(71)	CL576-0004-1-71	50	27.8	24.9	22.7	19.2	24.8
FX6- 60P-0.8SV(71)	CL576-0005-4-71	60	31.8	28.9	26.7	23.2	28.8
FX6- 80P-0.8SV(71)	CL576-0007-0-71	80	39.8	36.9	34.7	31.2	36.8
FX6-100P-0.8SV(71)	CL576-0008-2-71	100	47.8	44.9	42.7	39.2	44.8

- NOTE
- 1) IR5 MARK SHALL BE OPTIONAL.
 - 2) LEAD CO-PLANARITY SHALL BE 0.1mm MAX.
 - 3) FOR MODIFICATION, ETC., PREVENTIVE HOLE FOR SINK MARK MAY BE ADDED ACCORDING TO CIRCUMSTANCES.
 - 4) THE DIMENSIONS IN PARENTHESES ARE FOR REFERENCE.
 - 5) NUMBER OF CONTACTS.

RECOMMENDED LAND PATTERN DIMENSION OF PCB (MOUNTING SIDE)



1	PPS	LIGHT BROWN (UL94V-0)	2	PHOSPHOR BRONZE	CONTACT AREA: GOLD 0.1μm min. LEAD AREA: GOLD FLASH UNDER PLATING: NICKEL 1μm min.	
NO.	MATERIAL	FINISH, REMARKS	NO.	MATERIAL	FINISH, REMARKS	
CODE NO. (OLD)		DRAWN	DESIGNED	CHECKED	APPROVED	RELEASED
		A. SUZUKAWA	H. Nakamura	X. Ogawa	H. Okawa	..
		06.05.23	06.05.24	06.05.24	06.05.24	..
DRAWING NO. EDC3-071174-25			PART NO. FX6-**P-0.8SV(71)			
SCALE FREE			CODE NO. CL576			
UNITS mm			HIROSE ELECTRIC CO., LTD			

TO
PCK



X-ON Electronics

Largest Supplier of Electrical and Electronic Components

Click to view similar products for [Board to Board & Mezzanine Connectors](#) category:

Click to view products by [Hirose](#) manufacturer:

Other Similar products are found below :

[589158040000018](#) [MDF7C-18P-2.54DSA\(55\)](#) [FCN-230C068-11](#) [FCN-268F012-G/BD](#) [FCN-268F036-G/BD](#) [FCN-268M012-G/0D](#) [FCN-268M024-G/1D](#) [FCN-723J004/1](#) [MIS-048-01-F-D-DP-K](#) [832-10-034-10-001000](#) [FX4C-80S-1.27DSA](#) [FCN-214Q030-G/0](#) [FCN-234P048-G/0](#) [FCN-235D050-G/C](#) [210-93-314-41-105000](#) [2-22603-0](#) [MDF7-40DP-2.54DSA\(55\)](#) [AXG720047](#) [MIT-114-03-F-D-K](#) [55323-1519](#) [DF33-2P-3.3DSA\(24\)](#) [YFT-20-05-H-03-SB-K](#) [503308-3040](#) [026-6203-PDB](#) [027-6203-PDB](#) [069159702701000](#) [10123981-102LF](#) [101A10019X](#) [55650-0588-C](#) [68682-310LF](#) [68684-306](#) [75140-7012](#) [87471-650](#) [YTW-30-07-H-Q-410-140](#) [FCN-268F024-G0D](#) [10124054-515LF](#) [68685-603](#) [8-1616154-3](#) [MIS-019-01-F-D](#) [FCN-268M024-G/3D](#) [FCN-268M036-G/BD](#) [20021832-06016C1LF](#) [KX15-20KLDL-E1000E](#) [AXE810124](#) [FCN-214J100-G/0](#) [FCN-230C068-E/S](#) [AXE812124](#) [AXE816124](#) [AXE720127](#) [354184](#)