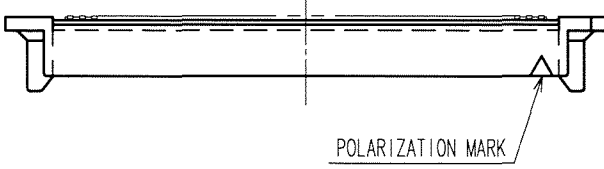
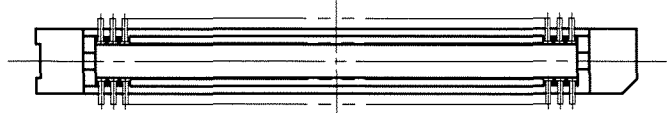
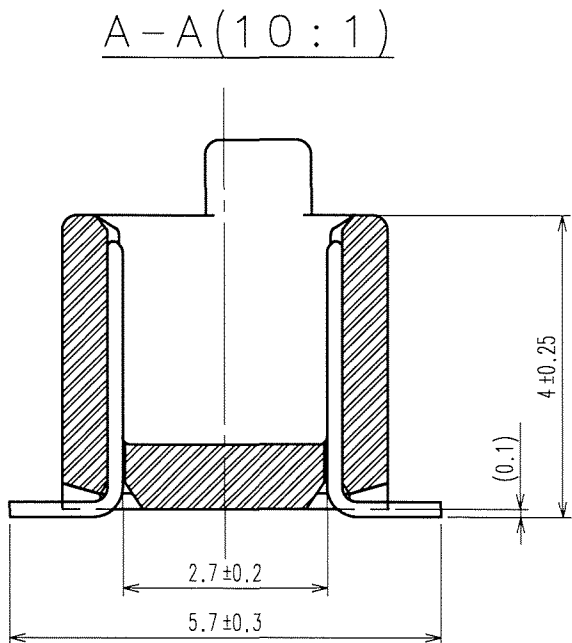
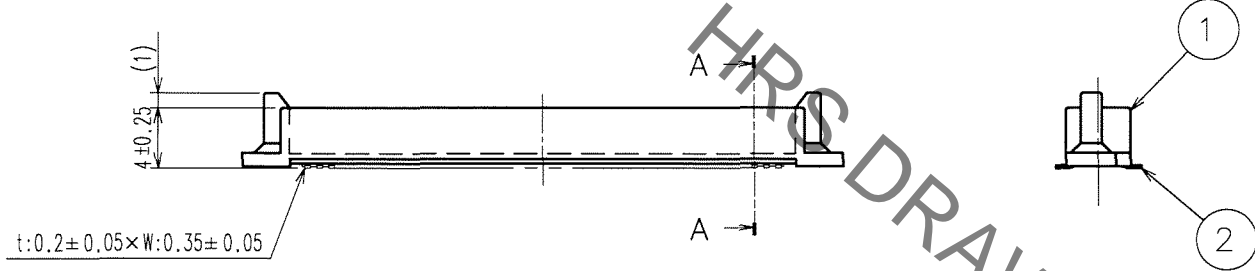
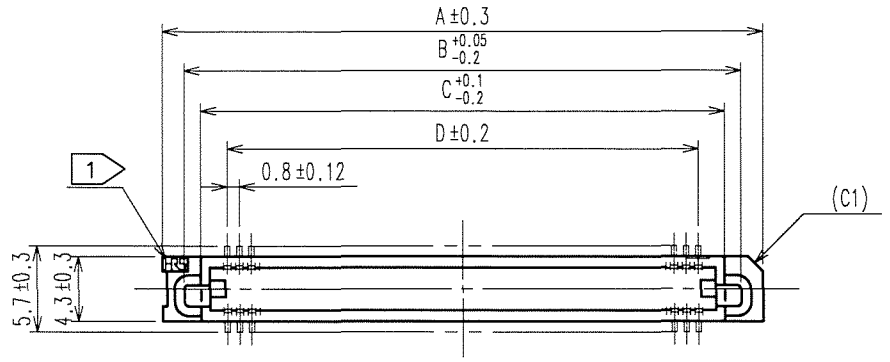
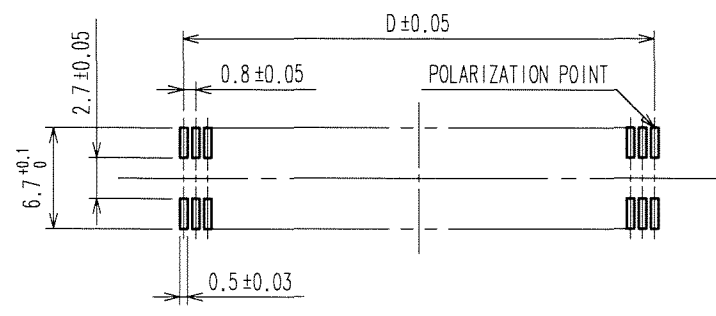


Aug.1.2021 Copyright 2021 HIROSE ELECTRIC CO., LTD. All Rights Reserved.
 In case of consideration for using Automotive equipment / device which demand high reliability, kindly contact our sales window correspondents.

COUNT	DESCRIPTION OF REVISIONS	BY	CHKD	DATE	COUNT	DESCRIPTION OF REVISIONS	BY	CHKD	DATE
4	DIS-F-000841	S.K	H.O	06.03.07					



RECOMMENDED P.C.B. LAND PATTERN (MOUNT SIDE)



DIMENSION TABLE OF CONNECTOR AND P.C.B. LAND PATTERN.

PART No.	CODE No.	7	8	A	B	C	D
FX6A- 20P-0.8SV(93)	CL576-0201-2-93	20	X	15.8	12.9	10.7	7.2
FX6A- 40P-0.8SV(93)	—	40	—	23.8	20.9	18.7	15.2
FX6A- 50P-0.8SV(93)	CL576-0204-0-93	50	X	27.8	24.9	22.7	19.2
FX6A- 60P-0.8SV(93)	—	60	—	31.8	28.9	26.7	23.2
FX6A- 80P-0.8SV(93)	CL576-0207-9-93	80	X	39.8	36.9	34.7	31.2
FX6A-100P-0.8SV(93)	—	100	—	47.8	44.9	42.7	39.2

- NOTE
- 1 THE MARK SHALL BE OPTIONAL.
 2. LEAD CO-PLANARITY SHALL BE 0.1mm MAX.
 3. THE DIMENSIONS IN PARENTHESES ARE FOR REFERENCE.
 4. EMBOSSED CARRIER TAPE PACKAGING SHALL BE APPLIED FOR THIS PRODUCT. SEE NEXT PAGE FOR DETAILS.
 5. THIS PRODUCT HAS TAPE FOR VACUUM PICKUP. SEE NEXT PAGE FOR DETAIL OF STICKING POSITION, ETC.
 6. FOR MODIFICATION, ETC., PREVENTIVE HOLE FOR SINK MARK MAY BE ADDED ACCORDING TO CIRCUMSTANCES.
 - 7 NUMBER OF CONTACTS.
 - 8 PRODUCTS MARKED X ARE AVAILABLE.

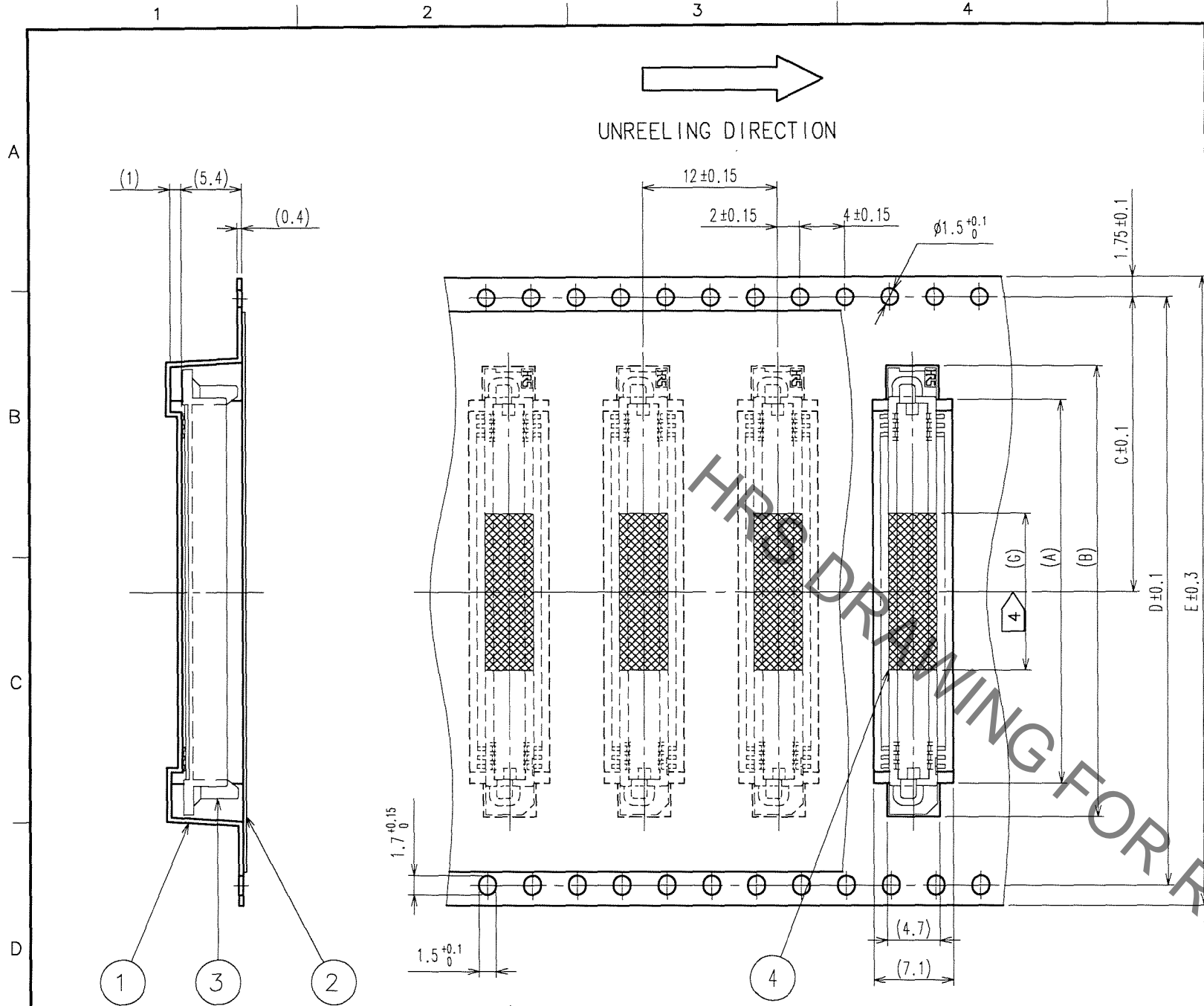
1	PPS	LIGHT BROWN (UL94V-0)	2	PHOSPHOR BRONZE	CONTACT AREA: GOLD 0.1μm min. LEAD AREA: GOLD PLATING FLASH UNDER PLATING: NICKEL 1.5μm min.
NO.	MATERIAL	FINISH, REMARKS	NO.	MATERIAL	FINISH, REMARKS

CODE NO. (OLD)	DRAWN	DESIGNED	CHECKED	APPROVED	RELEASED
	T. YANAGISAWA	T. NODA	H. OZAWA	H. OKAWA	
	'05.07.25	'05.08.04	'05.08.04	'05.08.05	

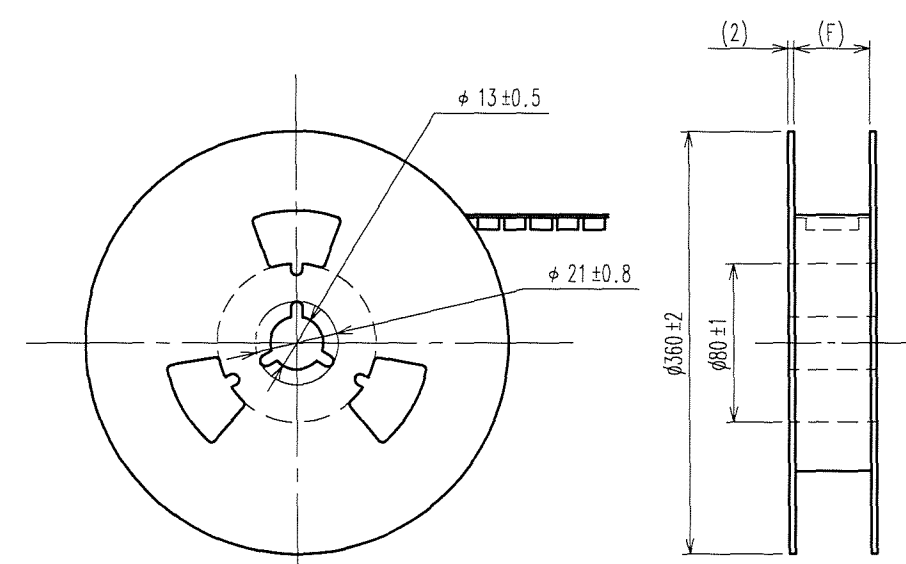
 SCALE FREE UNITS mm	DRAWING NO. EDC3-152946-23 HIROSE ELECTRIC CO., LTD	PART NO. FX6A-*P-0.8SV(93) CODE NO. CL576	1/2
----------------------------------	---	--	-----

Aug.1.2021 Copyright 2021 HIROSE ELECTRIC CO., LTD. All Rights Reserved.
 In case of consideration for using Automotive equipment / device which demand high reliability, kindly contact our sales window correspondents.

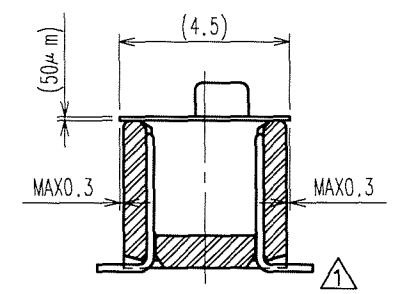
COUNT	DESCRIPTION OF REVISIONS	BY	CHKD	DATE	COUNT	DESCRIPTION OF REVISIONS	BY	CHKD	DATE



STYLE AND DIMENSIONS OF REEL (FREE)

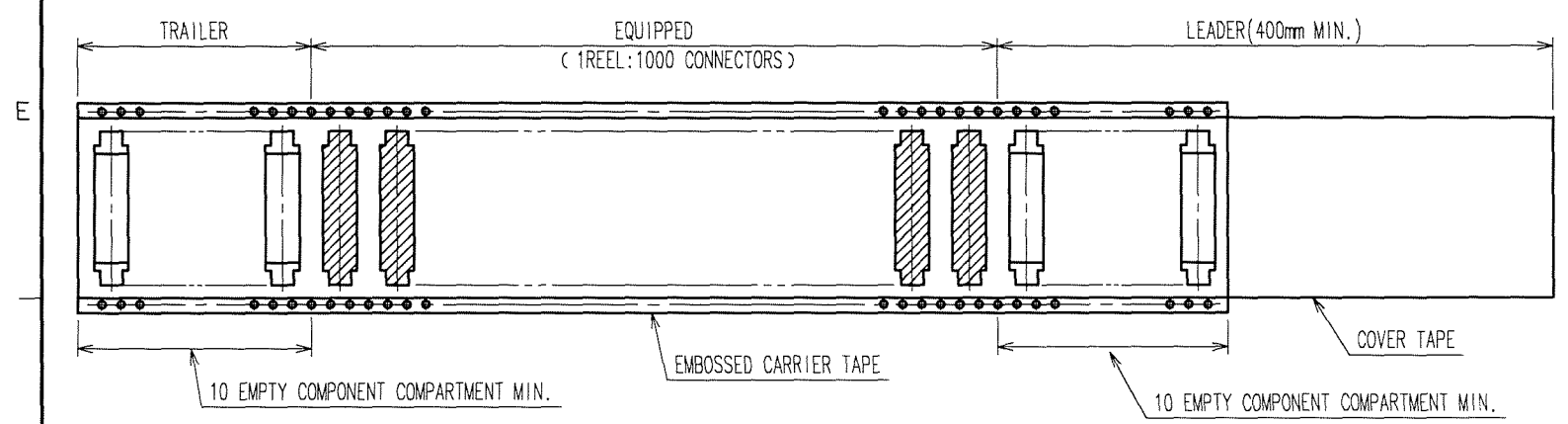


DETAIL OF TAPE FOR VACUUM PICK-UP (5:1)



DIMENSION TABLE OF EMBOSSED CARRIER TAPE AND REEL ①

PART No.	CODE No.	②	③	A	B	C	D	E	F	G
FX6A-20P-0.8SV(93)	CL576-0201-2-93	20	X	10.2	16.2	11.5	—	24	24.4	7
FX6A-40P-0.8SV(93)	—	40	—	18.2	24.2	20.2	40.4	44	44.4	14
FX6A-50P-0.8SV(93)	CL576-0204-0-93	50	X	22.2	28.2	20.2	40.4	44	44.4	14
FX6A-60P-0.8SV(93)	—	60	—	26.2	32.2	20.2	40.4	44	44.4	14
FX6A-80P-0.8SV(93)	CL576-0207-9-93	80	X	34.2	40.2	26.2	52.4	56	58.0	14
FX6A-100P-0.8SV(93)	—	100	—	42.2	48.2	34.2	68.4	72	73.0	14



- NOTE
- ① 1 REEL : 1000 CONNECTORS.
 - ② NUMBER OF CONTACTS.
 - ③ PRODUCTS MARKED × ARE AVAILABLE.
 - ④ REMOVE THE VACUUM PICKUP TAPE AFTER MOUNTING THE CONNECTOR.

2	POLYESTER	COVER TAPE	4	POLYIMIDE	TAPE FOR VACUUM PICK-UP
1	POLYSTYRENE	EMBOSSED CARRIER TAPE	3		(CONNECTOR)
NO.	MATERIAL	FINISH, REMARKS	NO.	MATERIAL	FINISH, REMARKS

CODE NO. (OLD)	DRAWN	DESIGNED	CHECKED	APPROVED	RELEASED
	T.YANAGISAWA	T.NODA	H.OZAWA	H.OKAWA	
	'05. 07. 25	'05. 08. 04	'05. 08. 04	'05. 08. 05	

SCALE	DRAWING NO.	PART NO.
FREE	EDC3-152946-23	FX6A-***P-0.8SV(93)
UNITS	mm	CODE NO.
	HRS HIROSE ELECTRIC CO., LTD	CL576

TO PCK

X-ON Electronics

Largest Supplier of Electrical and Electronic Components

Click to view similar products for [Board to Board & Mezzanine Connectors](#) category:

Click to view products by [Hirose](#) manufacturer:

Other Similar products are found below :

[589158040000018](#) [MDF7C-18P-2.54DSA\(55\)](#) [FCN-230C068-11](#) [FCN-268F012-G/BD](#) [FCN-268F036-G/BD](#) [FCN-268M012-G/0D](#) [FCN-268M024-G/1D](#) [FCN-723J004/1](#) [MIS-048-01-F-D-DP-K](#) [832-10-034-10-001000](#) [FX4C-80S-1.27DSA](#) [FCN-214Q030-G/0](#) [FCN-234P048-G/0](#) [FCN-235D050-G/C](#) [210-93-314-41-105000](#) [2-22603-0](#) [MDF7-40DP-2.54DSA\(55\)](#) [AXG720047](#) [MIT-114-03-F-D-K](#) [55323-1519](#) [DF33-2P-3.3DSA\(24\)](#) [YFT-20-05-H-03-SB-K](#) [503308-3040](#) [026-6203-PDB](#) [027-6203-PDB](#) [069159702701000](#) [10123981-102LF](#) [101A10019X](#) [55650-0588-C](#) [68682-310LF](#) [68684-306](#) [75140-7012](#) [87471-650](#) [YTW-30-07-H-Q-410-140](#) [FCN-268F024-G0D](#) [10124054-515LF](#) [68685-603](#) [8-1616154-3](#) [MIS-019-01-F-D](#) [FCN-268M024-G/3D](#) [FCN-268M036-G/BD](#) [20021832-06016C1LF](#) [KX15-20KLDL-E1000E](#) [AXE810124](#) [FCN-214J100-G/0](#) [FCN-230C068-E/S](#) [AXE812124](#) [AXE816124](#) [AXE720127](#) [354184](#)