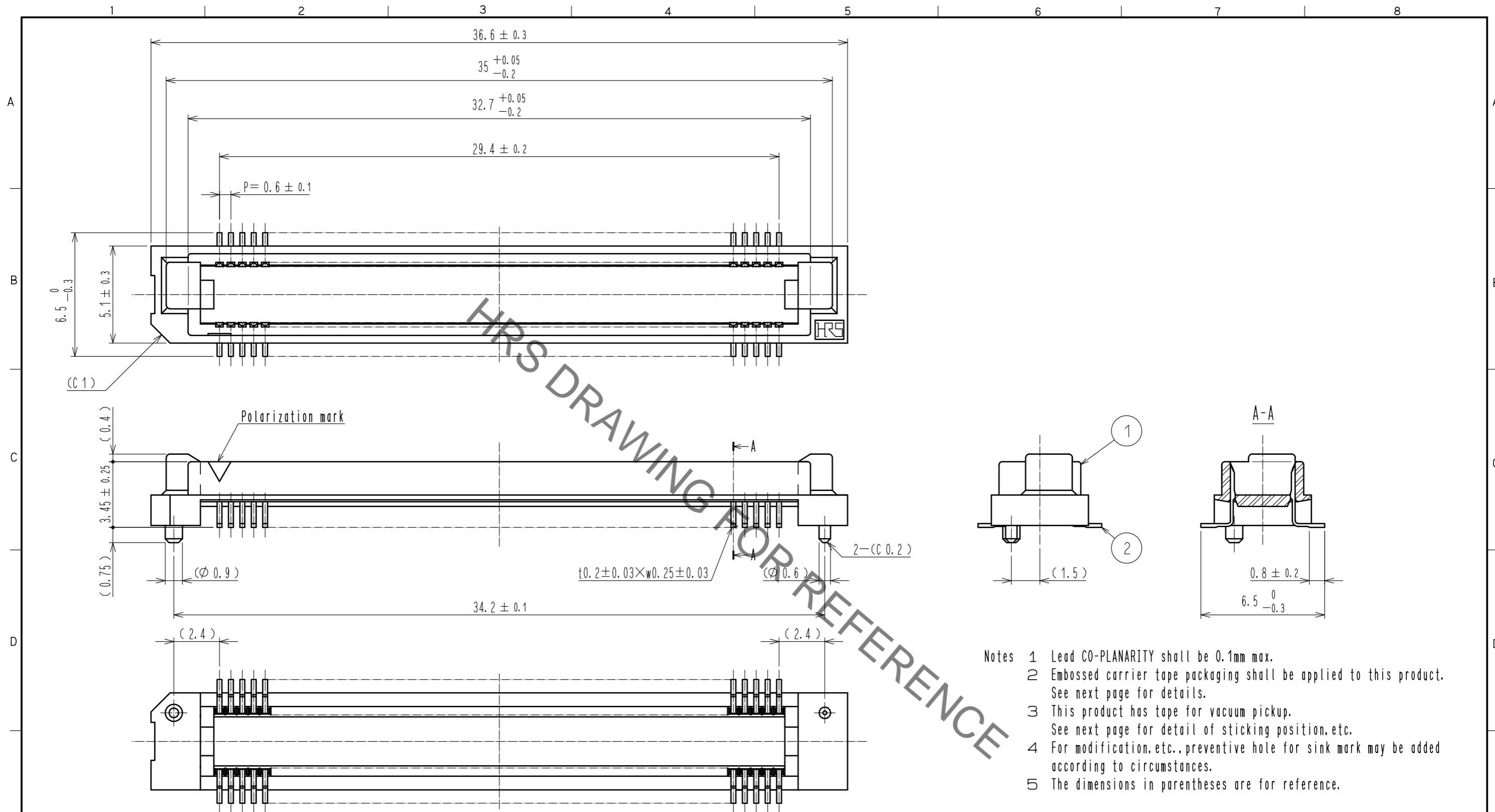
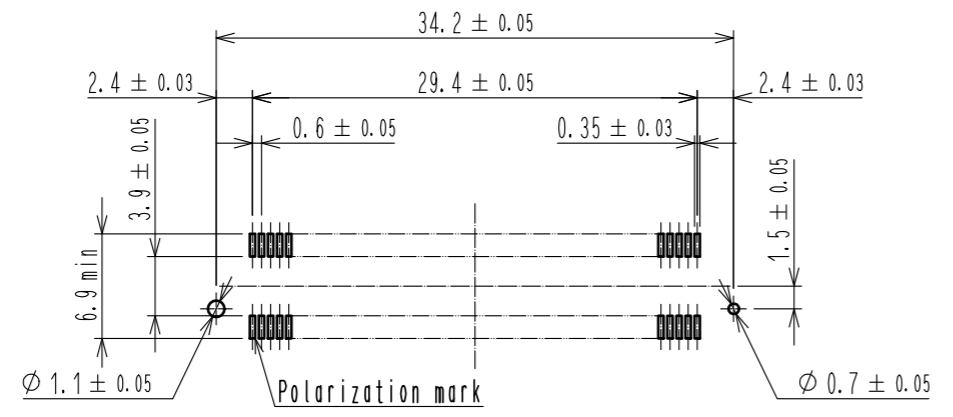


Sep.1.2021 Copyright 2021 HIROSE ELECTRIC CO., LTD. All Rights Reserved.  
In case of consideration for using Automotive equipment / device which demand high reliability, kindly contact our sales window correspondents.



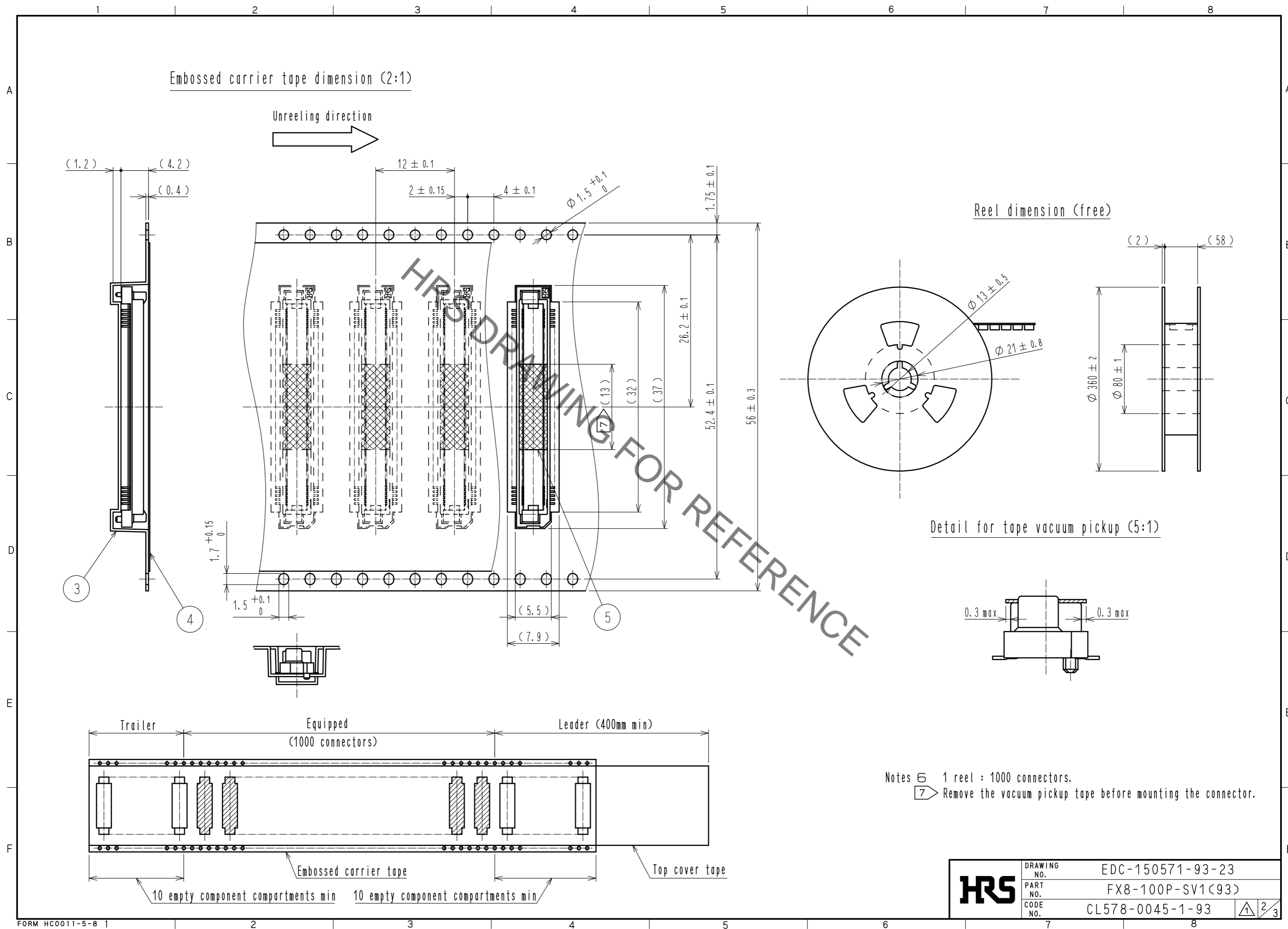
- Notes
- 1 Lead CO-PLANARITY shall be 0.1mm max.
  - 2 Embossed carrier tape packaging shall be applied to this product. See next page for details.
  - 3 This product has tape for vacuum pickup. See next page for detail of sticking position, etc.
  - 4 For modification, etc., preventive hole for sink mark may be added according to circumstances.
  - 5 The dimensions in parentheses are for reference.

Recommended land pattern dimension of PCB (mounting side) (2:1)



2	PHOSPHOR BRONZE	Contact area : Gold 0.1 $\mu$ m min.	5	POLYIMIDE	(Tape for vacuum pickup)		
		Lead area : Tin-plating 1 $\mu$ m min.			4	POLYESTER	(Top cover tape)
		Under plating : Nickel 1 $\mu$ m min.					3
1	PPS	Light brown (UL94V-0)					
NO.	MATERIAL	FINISH . REMARKS	NO.	MATERIAL	FINISH . REMARKS		
UNITS mm		SCALE 5 : 1	COUNT 1	DESCRIPTION OF REVISIONS DIS-F-00006411			
DESIGNED KS. NAKAJIMA			CHECKED HT. YAMAGUCHI				
DATE 20200803			APPROVED : HS. OKAWA 20071005				
DRAWING NO. EDC-150571-93-23			CHECKED : HS. OZAWA 20071005				
PART NO. FX8-100P-SV1(93)			DESIGNED : KY. NAKAMURA 20071004				
CODE NO. CL578-0045-1-93			DRAWN : KY. NAKAMURA 20071004				
			1/3				

In case of consideration for using Automotive equipment / device which demand high reliability, kindly contact our sales window correspondents.



HRS DRAWING FOR REFERENCE

- Notes
- ⑥ 1 reel : 1000 connectors.
  - ⑦ Remove the vacuum pickup tape before mounting the connector.

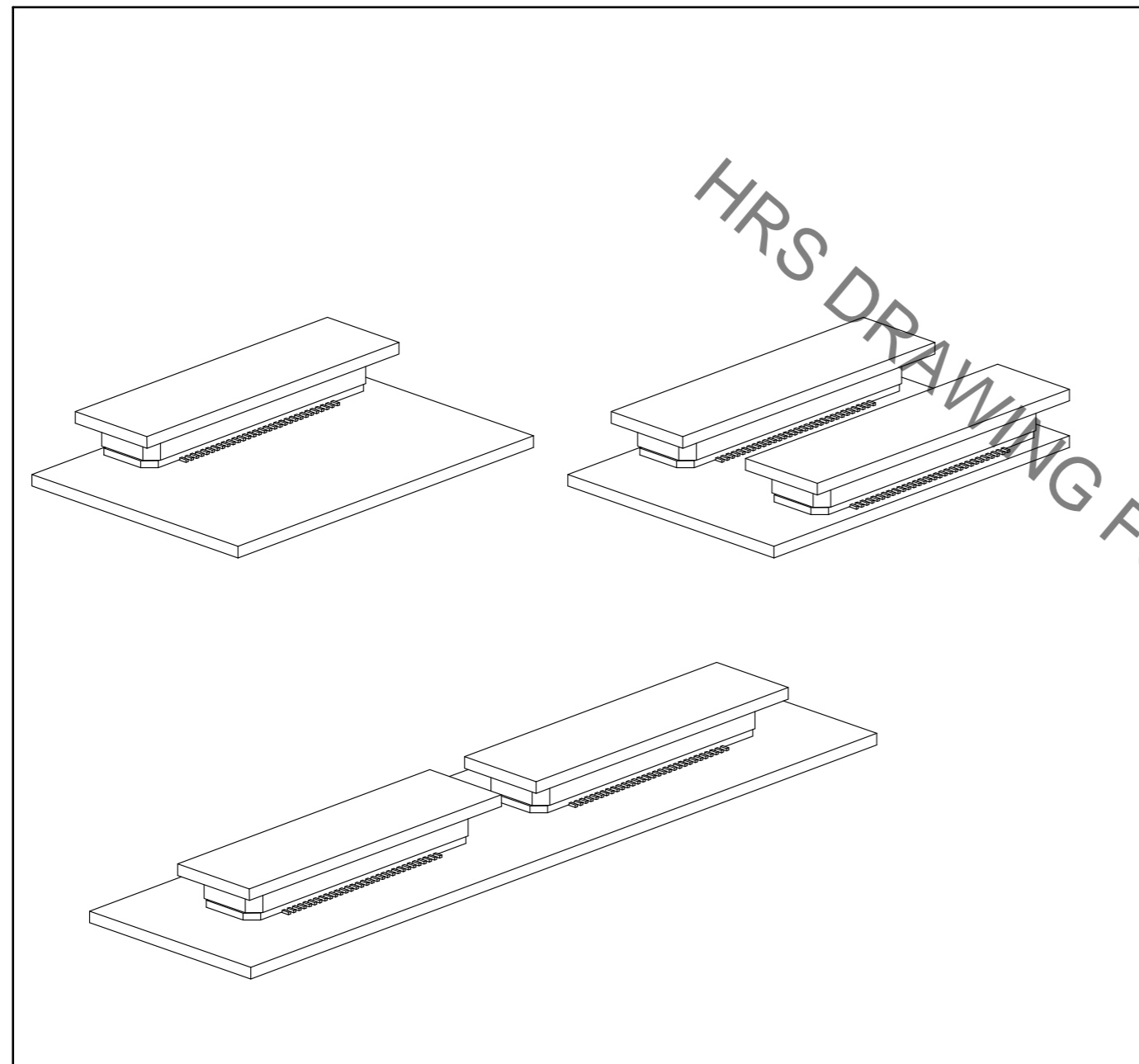
<b>HRS</b>	DRAWING NO.	EDC-150571-93-23	2/3
	PART NO.	FX8-100P-SV1(93)	
	CODE NO.	CL578-0045-1-93	

In case of consideration for using Automotive equipment / device which demand high reliability, kindly contact our sales window correspondents.

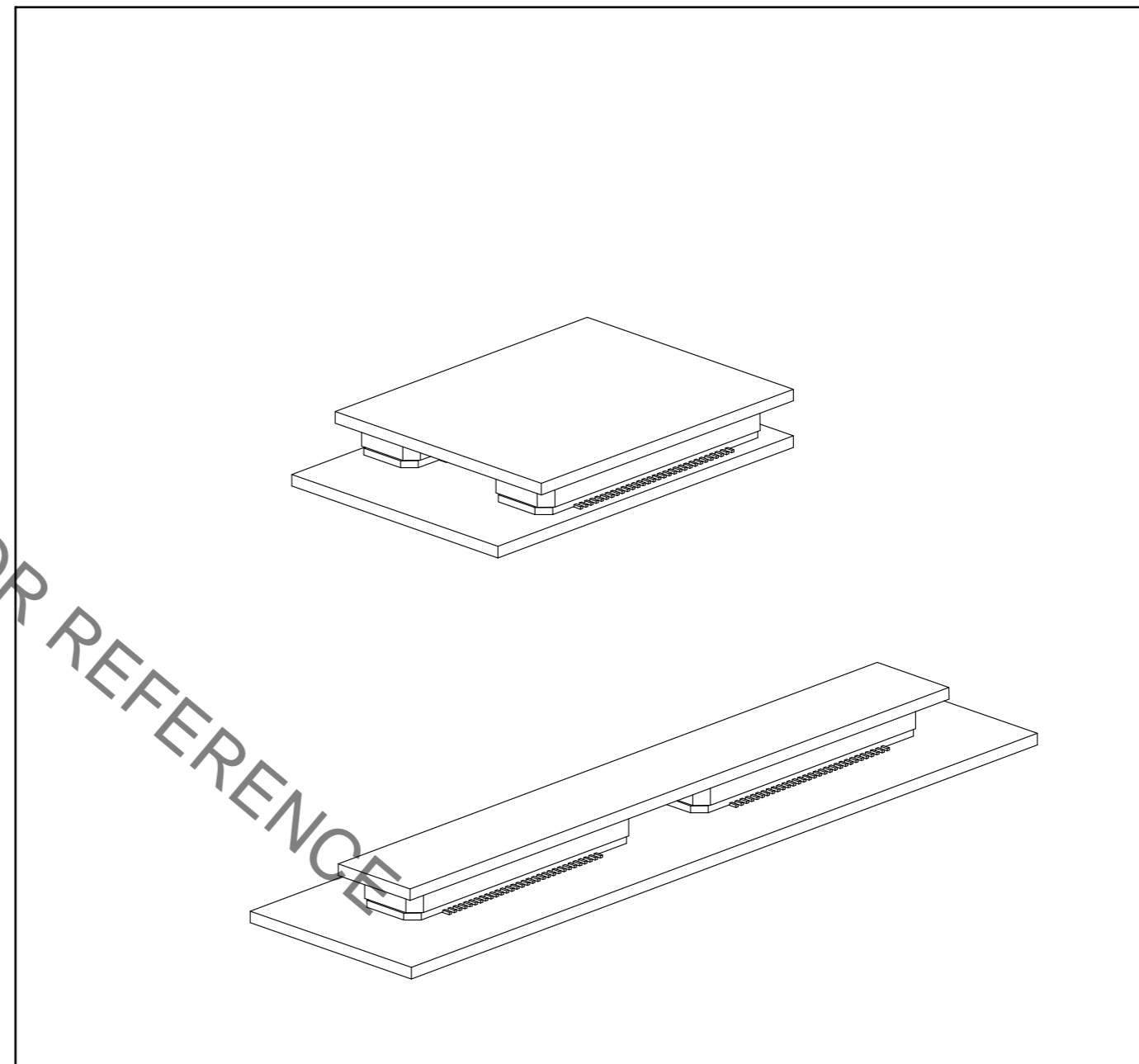
【 Precaution 】

When a board with multiple connectors mounted is mated, the connector may be damaged or deformed.  
Please divide one side of the board so only one connector is mated per board.

OK



NG



<b>HRS</b>	DRAWING NO.	EDC-150571-93-23
	PART NO.	FX8-100P-SV1(93)
	CODE NO.	CL578-0045-1-93
		3/3

## X-ON Electronics

Largest Supplier of Electrical and Electronic Components

*Click to view similar products for [Board to Board & Mezzanine Connectors](#) category:*

*Click to view products by [Hirose](#) manufacturer:*

Other Similar products are found below :

[589158040000018](#) [MDF7C-18P-2.54DSA\(55\)](#) [FCN-230C068-11](#) [FCN-268F012-G/BD](#) [FCN-268F036-G/BD](#) [FCN-268M012-G/0D](#) [FCN-268M024-G/1D](#) [FCN-723J004/1](#) [MIS-048-01-F-D-DP-K](#) [832-10-034-10-001000](#) [FX4C-80S-1.27DSA](#) [FCN-214Q030-G/0](#) [FCN-234P048-G/0](#) [FCN-235D050-G/C](#) [210-93-314-41-105000](#) [2-22603-0](#) [MDF7-40DP-2.54DSA\(55\)](#) [AXG720047](#) [MIT-114-03-F-D-K](#) [55323-1519](#) [DF33-2P-3.3DSA\(24\)](#) [YFT-20-05-H-03-SB-K](#) [503308-3040](#) [026-6203-PDB](#) [027-6203-PDB](#) [069159702701000](#) [10123981-102LF](#) [101A10019X](#) [55650-0588-C](#) [68682-310LF](#) [68684-306](#) [75140-7012](#) [87471-650](#) [YTW-30-07-H-Q-410-140](#) [FCN-268F024-G0D](#) [10124054-515LF](#) [68685-603](#) [8-1616154-3](#) [MIS-019-01-F-D](#) [FCN-268M024-G/3D](#) [FCN-268M036-G/BD](#) [20021832-06016C1LF](#) [KX15-20KLDL-E1000E](#) [AXE810124](#) [FCN-214J100-G/0](#) [FCN-230C068-E/S](#) [AXE812124](#) [AXE816124](#) [AXE720127](#) [354184](#)