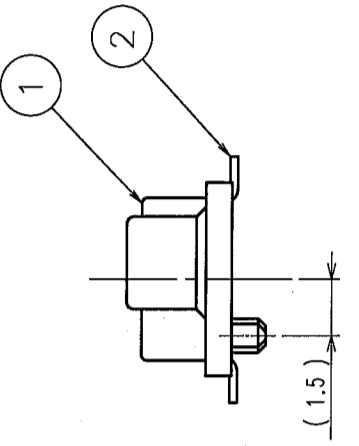
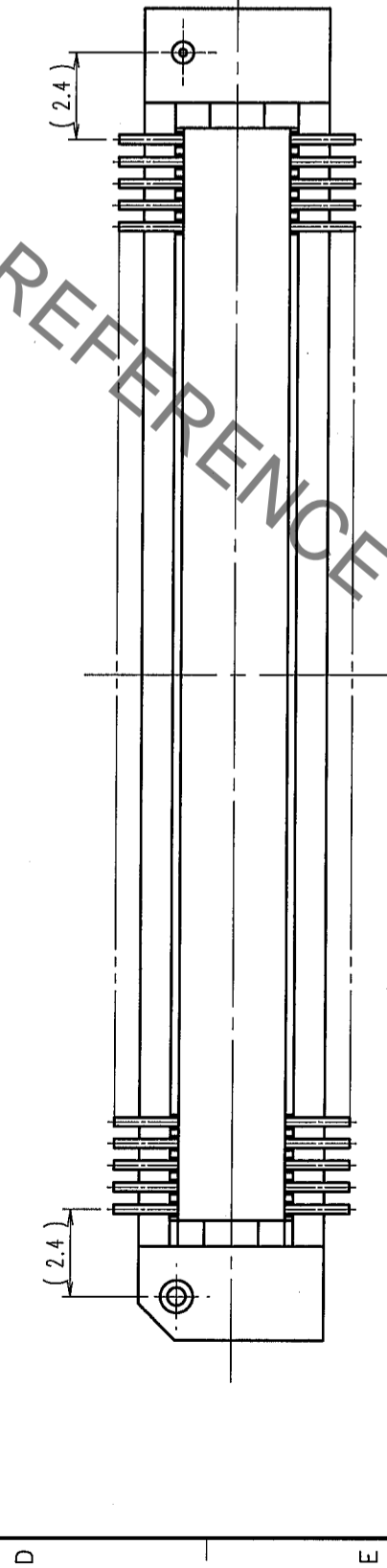
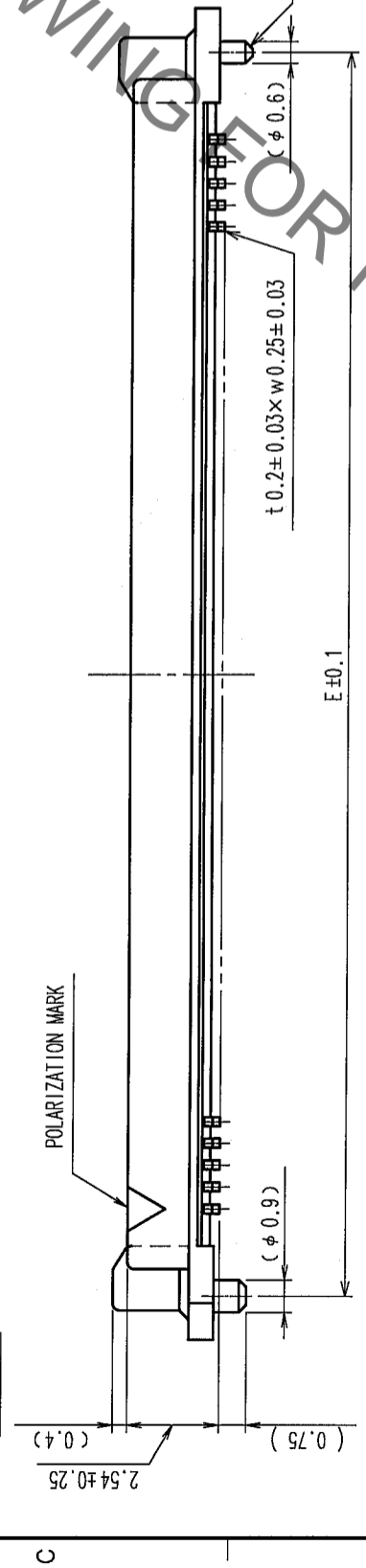
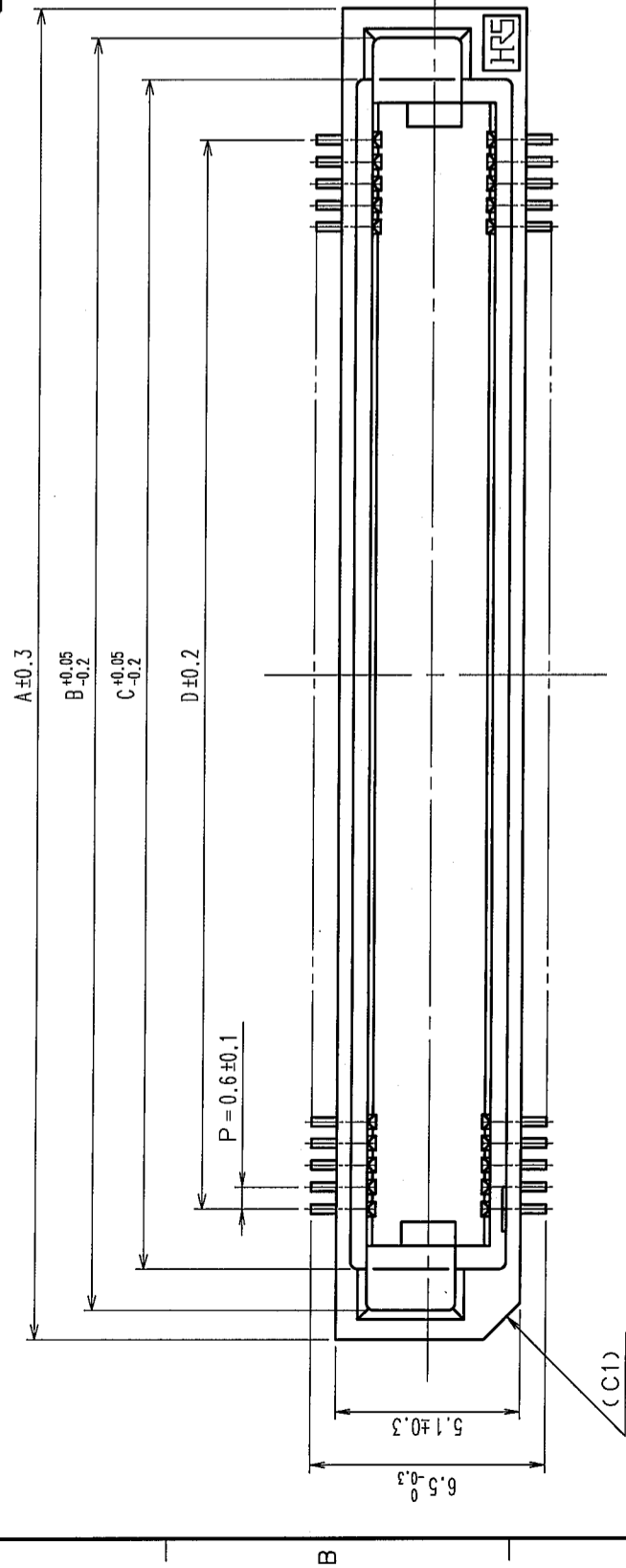
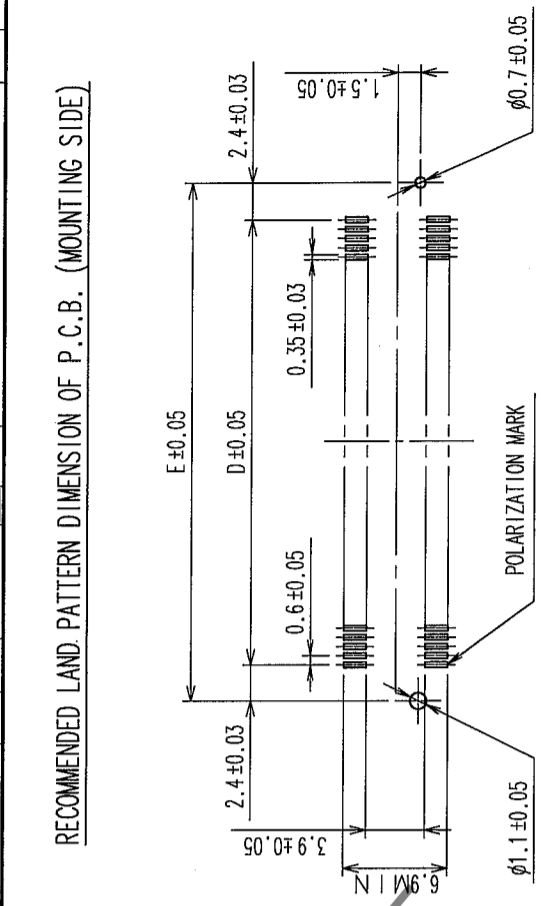


COUNT	DESCRIPTION OF REVISIONS	BY	CHKD	DATE	COUNT	DESCRIPTION OF REVISIONS	BY	CHKD	DATE
3	RE-F-09671	K.N	H.Y	04.04.08					
1	DIS-F-000293	K.D	H.O	05.02.28					

RECOMMENDED LAND PATTERN DIMENSION OF P.C.B. (MOUNTING SIDE)



- NOTE 1. LEAD CO-PLANARITY SHALL BE 0.1mm MAX.
 2. EMBOSSED CARRIER TAPE PACKAGING SHALL BE APPLIED FOR THIS PRODUCT. SEE NEXT PAGE FOR DETAILS.
 3. FOR MODIFICATION, ETC., PREVENTIVE HOLE FOR SINK MARK MAY BE ADDED ACCORDING TO CIRCUMSTANCES.
 4. THE DIMENSIONS IN PARENTHESES ARE FOR REFERENCE.
 [5] NUMBER OF CONTACTS.

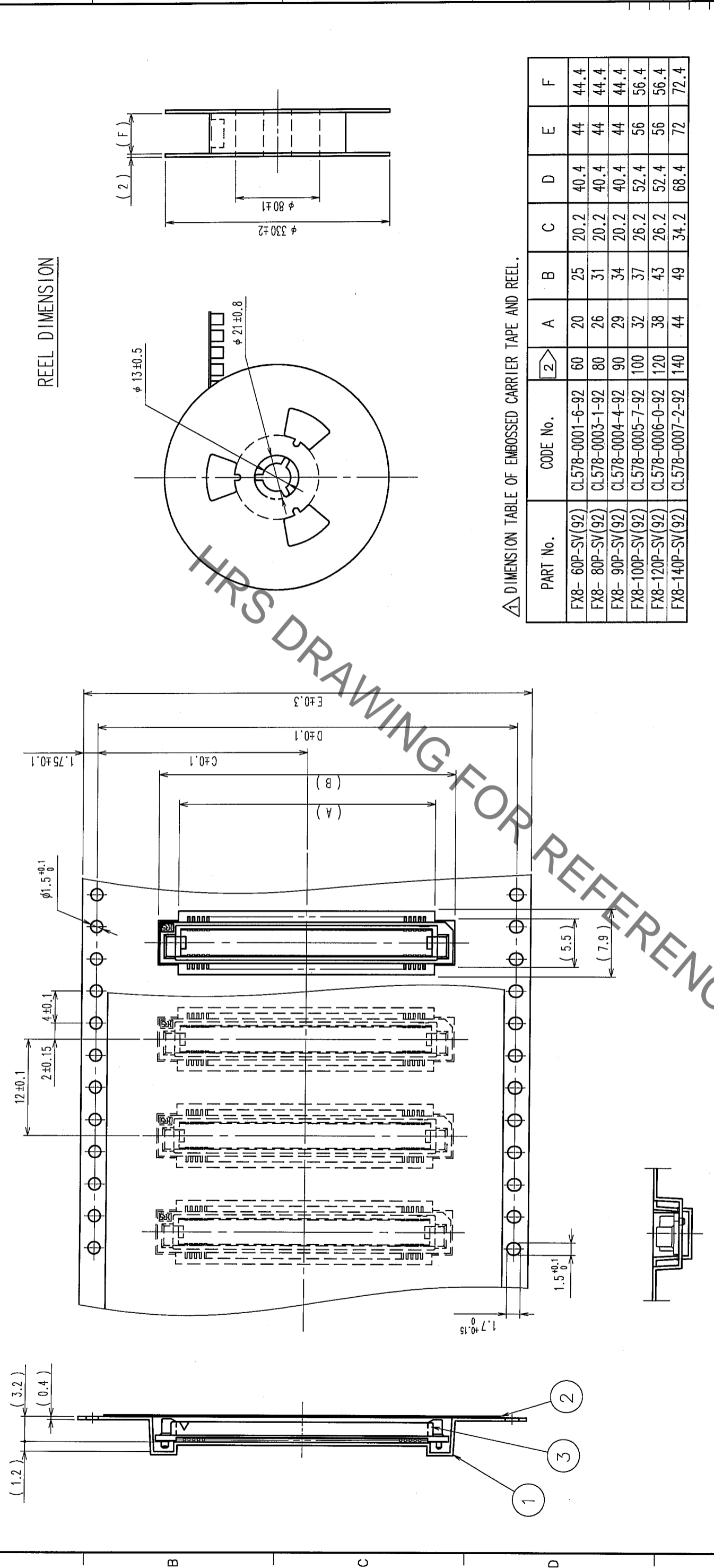
DIMENSION TABLE OF CONNECTOR AND P.C.B. LAND PATTERN.

PART No.	CODE No.	[5]	A	B	C	D	E
FX8-60P-SV(92)	CL578-0001-6-92	60	24.6	23	20.7	17.4	22.2
FX8-80P-SV(92)	CL578-0003-1-92	80	30.6	29	26.7	23.4	28.2
FX8-90P-SV(92)	CL578-0004-4-92	90	33.6	32	29.7	26.4	31.2
FX8-100P-SV(92)	CL578-0005-7-92	100	36.6	35	32.7	29.4	34.2
FX8-120P-SV(92)	CL578-0006-0-92	120	42.6	41	38.7	35.4	40.2
FX8-140P-SV(92)	CL578-0007-2-92	140	48.6	47	44.7	41.4	46.2

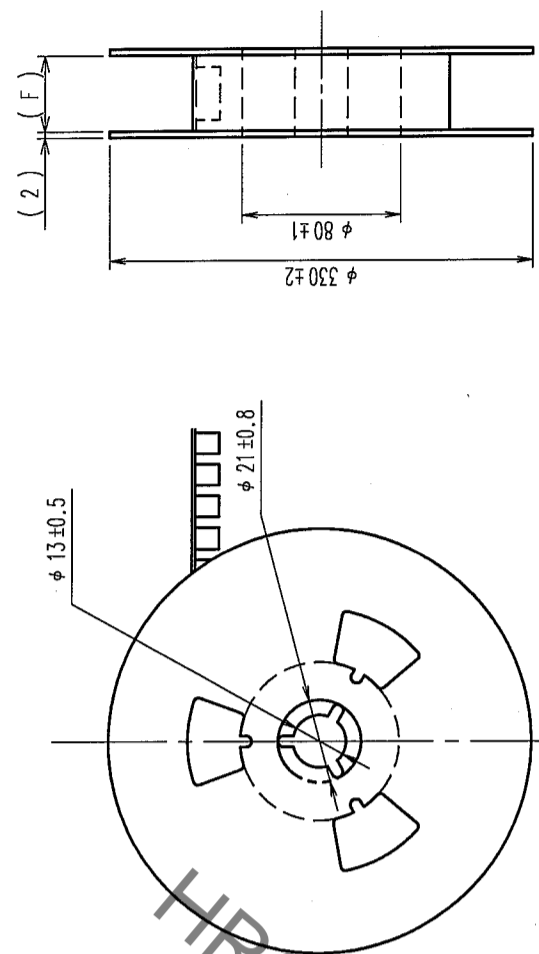
1	PPS	LIGHT BROWN (UL94V-0)	2	PHOSPHOR BRONZE	CONTACT AREA: GOLD 0.1μm min. LEAD AREA: GOLD FLASH UNDER PLATING: NICKEL 0.5μm min.
NO.	MATERIAL	FINISH, REMARKS	NO.	MATERIAL	FINISH, REMARKS
CODE NO. (OLD) CL			DRAWN S. SUZUKI 03.03.06	DESIGNED K. NAKAMURA 03.03.06	CHECKED H. OKAWA 03.03.06
					APPROVED Y. YOSHIMURA 03.03.06
DRAWING NO. EDC3-150726-22		PART NO. FX8-**-P-SV(92)			
SCALE FREE					CODE NO. CL578
UNITS mm					1/2

TO	
PCK	

COUNT	DESCRIPTION OF REVISIONS	BY	CHKD	DATE	COUNT	DESCRIPTION OF REVISIONS	BY	CHKD	DATE
△					△				
△					△				



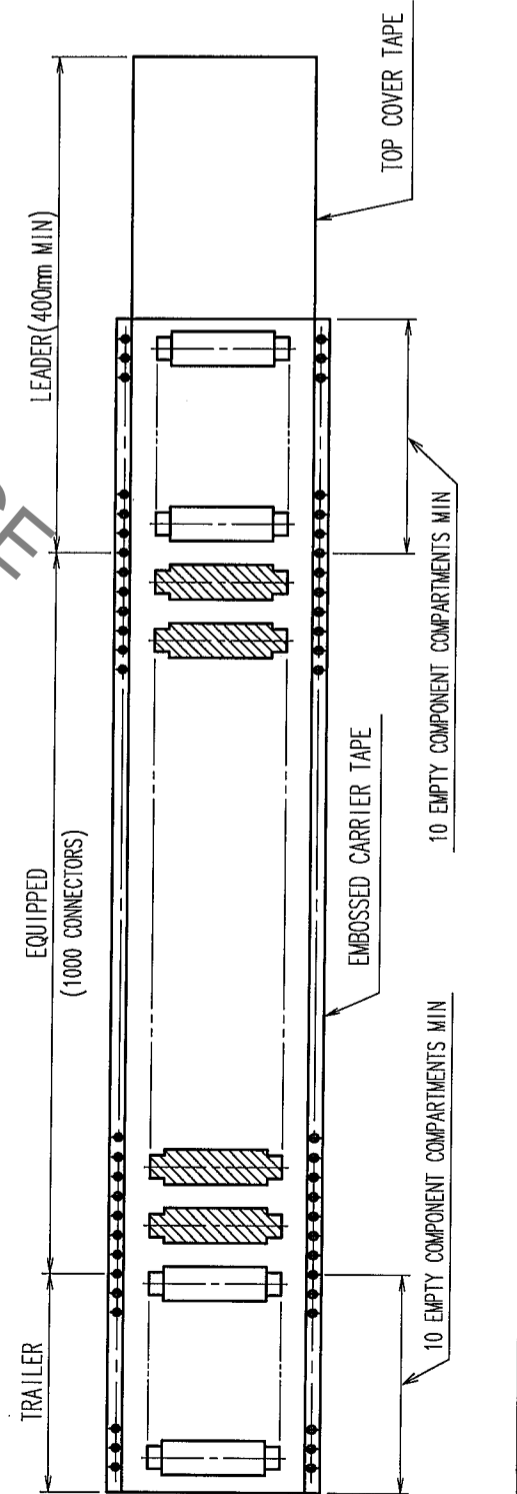
REEL DIMENSION



△ DIMENSION TABLE OF EMBOSSED CARRIER TAPE AND REEL.

PART No.	CODE No.	2	A	B	C	D	E	F
FX8-60P-SV(92)	CL578-0001-6-92	60	20	25	20.2	40.4	44	44.4
FX8-80P-SV(92)	CL578-0003-1-92	80	26	31	20.2	40.4	44	44.4
FX8-90P-SV(92)	CL578-0004-4-92	90	29	34	20.2	40.4	44	44.4
FX8-100P-SV(92)	CL578-0005-7-92	100	32	37	26.2	52.4	56	56.4
FX8-120P-SV(92)	CL578-0006-0-92	120	38	43	26.2	52.4	56	56.4
FX8-140P-SV(92)	CL578-0007-2-92	140	44	49	34.2	68.4	72	72.4

NOTE 1 1 REEL : 1000 CONNECTORS
2 NUMBER OF CONTACTS



TO
PCK

2 POLYESTER (TOP COVER TAPE)		3 (CONNECTOR)			
NO.	MATERIAL	FINISH, REMARKS	NO.	MATERIAL	FINISH, REMARKS
1	PS		3		
CODE NO. (OLD) CL		DRAWN S.SUZUKI		DESIGNED K.NAKAMURA	
		03.03.06		03.03.06	
		03.03.06		03.03.06	
SCALE FREE		DRAWING NO. EDC3-150726-22		PART NO. FX8-**P-SV(92)	
UNITS mm		HIROSE ELECTRIC CO., LTD		CODE NO. CL578	



X-ON Electronics

Largest Supplier of Electrical and Electronic Components

Click to view similar products for [Board to Board & Mezzanine Connectors](#) category:

Click to view products by [Hirose](#) manufacturer:

Other Similar products are found below :

[589158040000018](#) [MDF7C-18P-2.54DSA\(55\)](#) [FCN-230C068-11](#) [FCN-268F012-G/BD](#) [FCN-268F036-G/BD](#) [FCN-268M012-G/0D](#) [FCN-268M024-G/1D](#) [FCN-723J004/1](#) [MIS-048-01-F-D-DP-K](#) [832-10-034-10-001000](#) [FX4C-80S-1.27DSA](#) [FCN-214Q030-G/0](#) [FCN-234P048-G/0](#) [FCN-235D050-G/C](#) [210-93-314-41-105000](#) [2-22603-0](#) [MDF7-40DP-2.54DSA\(55\)](#) [AXG720047](#) [MIT-114-03-F-D-K](#) [55323-1519](#) [DF33-2P-3.3DSA\(24\)](#) [YFT-20-05-H-03-SB-K](#) [503308-3040](#) [026-6203-PDB](#) [027-6203-PDB](#) [069159702701000](#) [10123981-102LF](#) [101A10019X](#) [55650-0588-C](#) [68682-310LF](#) [68684-306](#) [75140-7012](#) [87471-650](#) [YTW-30-07-H-Q-410-140](#) [FCN-268F024-G0D](#) [10124054-515LF](#) [68685-603](#) [8-1616154-3](#) [MIS-019-01-F-D](#) [FCN-268M024-G/3D](#) [FCN-268M036-G/BD](#) [20021832-06016C1LF](#) [KX15-20KLDL-E1000E](#) [AXE810124](#) [FCN-214J100-G/0](#) [FCN-230C068-E/S](#) [AXE812124](#) [AXE816124](#) [AXE720127](#) [354184](#)