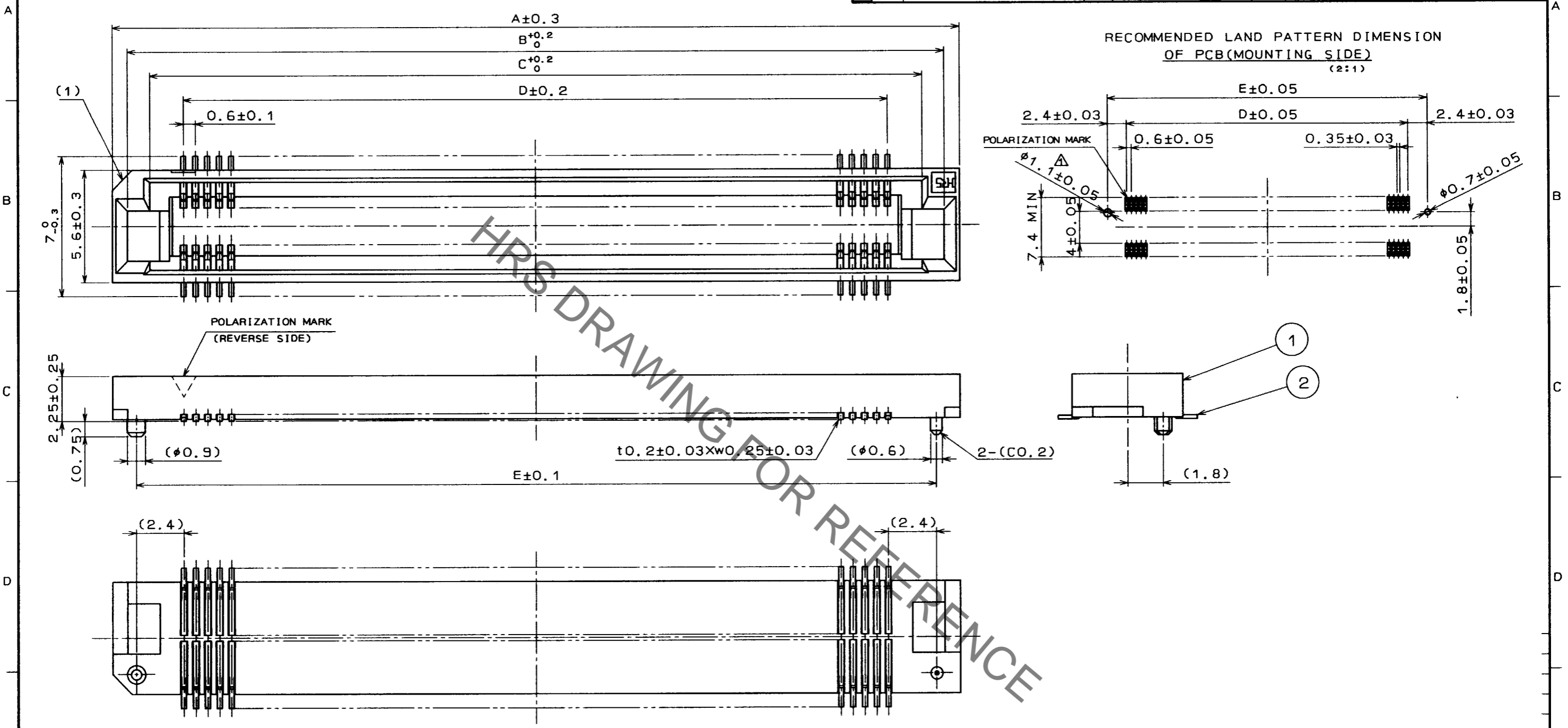


Aug.1.2021 Copyright 2021 HIROSE ELECTRIC CO., LTD. All Rights Reserved.
In case of consideration for using Automotive equipment / device which demand high reliability, kindly contact our sales window correspondents.

COUNT	DESCRIPTION OF REVISIONS	BY	CHKD	DATE	COUNT	DESCRIPTION OF REVISIONS	BY	CHKD	DATE
1	RE-F-4613	S.M	M.T	'96.4.2					



HRS DRAWING FOR REFERENCE

NUMBER OF CONTACT	PART NO.	CODE NO.	DRAWING NO.	A	B	C	D	E
60	FX8- 60S-SV(21)	CL578-0201-5-21	ADC3-150674-01	24.6	23.05	20.8	17.4	22.2
80	FX8- 80S-SV(21)	CL578-0203-0-21	ADC3-150740-01	30.6	29.05	26.8	23.4	28.2
90	FX8- 90S-SV(21)	CL578-0204-3-21	ADC3-150675-01	33.6	32.05	29.8	26.4	31.2
100	FX8-100S-SV(21)	CL578-0205-6-21	ADC3-150676-01	36.6	35.05	32.8	29.4	34.2
120	FX8-120S-SV(21)	CL578-0206-9-21	ADC3-150677-01	42.6	41.05	38.8	35.4	40.2
140	FX8-140S-SV(21)	CL578-0207-1-21	ADC3-150678-01	48.6	47.05	44.8	41.4	46.2

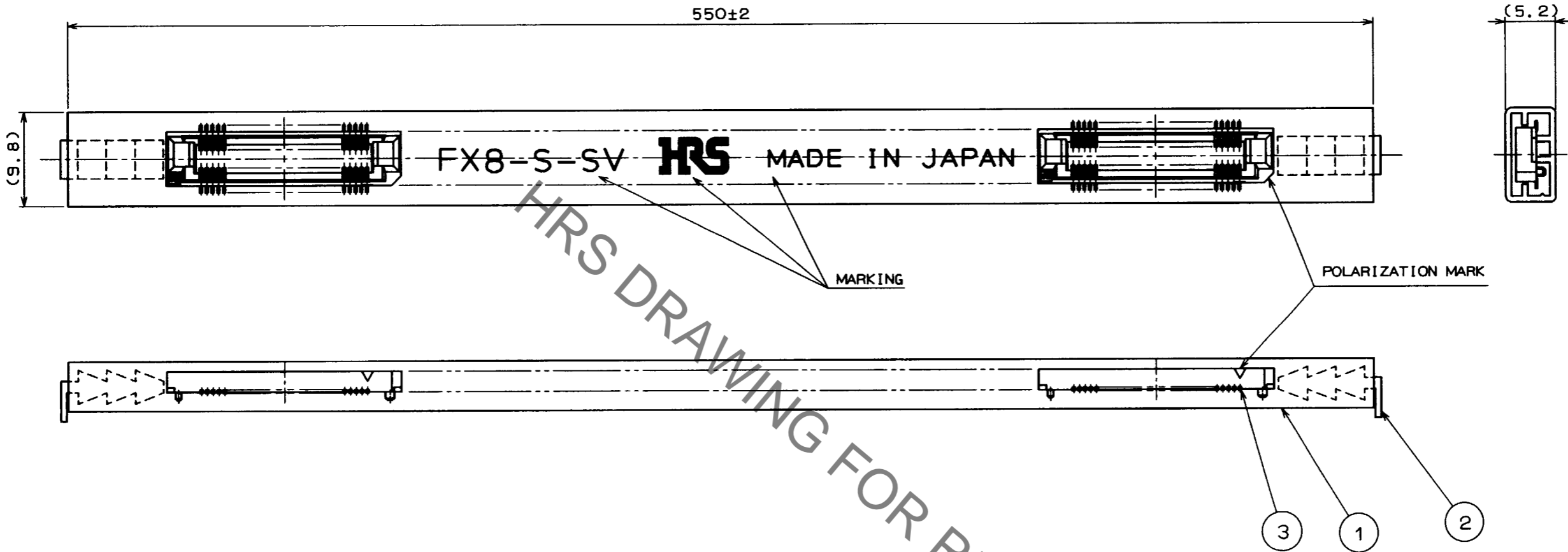
NOTE 1 READ CO-PLANARITY SHALL BE 0.1mm.
2 FOR DETAILS, SEE THE SECTION CONCERNING THE DELIVERY FORM ON NEXT PAGE.
3 FOR MODIFICATION, ETC., PREVENTIVE HOLE FOR SINK MARK MAY BE ADDED DEPENDS ON CIRCUMSTANCES.

2	PHOSPHOR BRONZE	CONTACT AREA: GOLD(0.1μm) OVER NICKEL OTHERS: GOLD(FLASH) OVER NICKEL	1	PPS	LIGHT BROWN (UL94V-0)		
NO.	MATERIAL	FINISH, REMARKS	NO.	MATERIAL	FINISH, REMARKS		
CODE NO. (OLD)			DRAWN	DESIGNED	CHECKED	APPROVED	RELEASED
			S. Morita	J. Matsukawa	M. Tomita	Y. Yoshimura	
			950420	950420	950420	950420	
DRAWING NO. EDC3-150730-01			PART NO. FX8-***S-SV(21)				
SCALE 5 : 1			CODE NO. CL578				
UNITS mm			HRS HIROSE ELECTRIC CO., LTD.				

TO
PCM

Aug.1.2021 Copyright 2021 HIROSE ELECTRIC CO., LTD. All Rights Reserved.
In case of consideration for using Automotive equipment / device which demand high reliability, kindly contact our sales window correspondents.

COUNT	DESCRIPTION OF REVISIONS	BY	CHKD	DATE	COUNT	DESCRIPTION OF REVISIONS	BY	CHKD	DATE
△				..	△				..
△				..	△				..
△				..	△				..



DELIVERY FORM(TUBE PACKAGING)

NUMBER OF CONTACTS(CONTACTS)	60	80	90	100	120	140
PRODUCT CONTENT(PCS)	21	17	15	14	12	10

2	POLYVINYLCHLORIDE	STOPPER			
1	POLYVINYLCHLORIDE	TUBE	3	(CONNECTOR)	
NO.	MATERIAL	FINISH , REMARKS	NO.	MATERIAL	FINISH , REMARKS
CODE NO. (OLD)			DRAWN	DESIGNED	CHECKED
			<i>S. Mouta</i>	<i>M. Matsukawa</i>	<i>M. Tomita</i>
			95.10.31	95.10.31	95.11.1
				<i>Z. Yoshimura</i>	95.11.1
DRAWING NO.			PART NO.		
EDC3-150730-01			FX8-***S-SV(21)		
UNITS			CODE NO.		
mm			CL578		

TO
PCM

X-ON Electronics

Largest Supplier of Electrical and Electronic Components

Click to view similar products for [Board to Board & Mezzanine Connectors](#) category:

Click to view products by [Hirose](#) manufacturer:

Other Similar products are found below :

[589158040000018](#) [MDF7C-18P-2.54DSA\(55\)](#) [FCN-230C068-11](#) [FCN-268F012-G/BD](#) [FCN-268F036-G/BD](#) [FCN-268M012-G/0D](#) [FCN-268M024-G/1D](#) [FCN-723J004/1](#) [MIS-048-01-F-D-DP-K](#) [832-10-034-10-001000](#) [FX4C-80S-1.27DSA](#) [FCN-214Q030-G/0](#) [FCN-234P048-G/0](#) [FCN-235D050-G/C](#) [210-93-314-41-105000](#) [2-22603-0](#) [MDF7-40DP-2.54DSA\(55\)](#) [AXG720047](#) [MIT-114-03-F-D-K](#) [55323-1519](#) [DF33-2P-3.3DSA\(24\)](#) [YFT-20-05-H-03-SB-K](#) [503308-3040](#) [026-6203-PDB](#) [027-6203-PDB](#) [069159702701000](#) [10123981-102LF](#) [101A10019X](#) [55650-0588-C](#) [68682-310LF](#) [68684-306](#) [75140-7012](#) [87471-650](#) [YTW-30-07-H-Q-410-140](#) [FCN-268F024-G0D](#) [10124054-515LF](#) [68685-603](#) [8-1616154-3](#) [MIS-019-01-F-D](#) [FCN-268M024-G/3D](#) [FCN-268M036-G/BD](#) [20021832-06016C1LF](#) [KX15-20KLDL-E1000E](#) [AXE810124](#) [FCN-214J100-G/0](#) [FCN-230C068-E/S](#) [AXE812124](#) [AXE816124](#) [AXE720127](#) [354184](#)