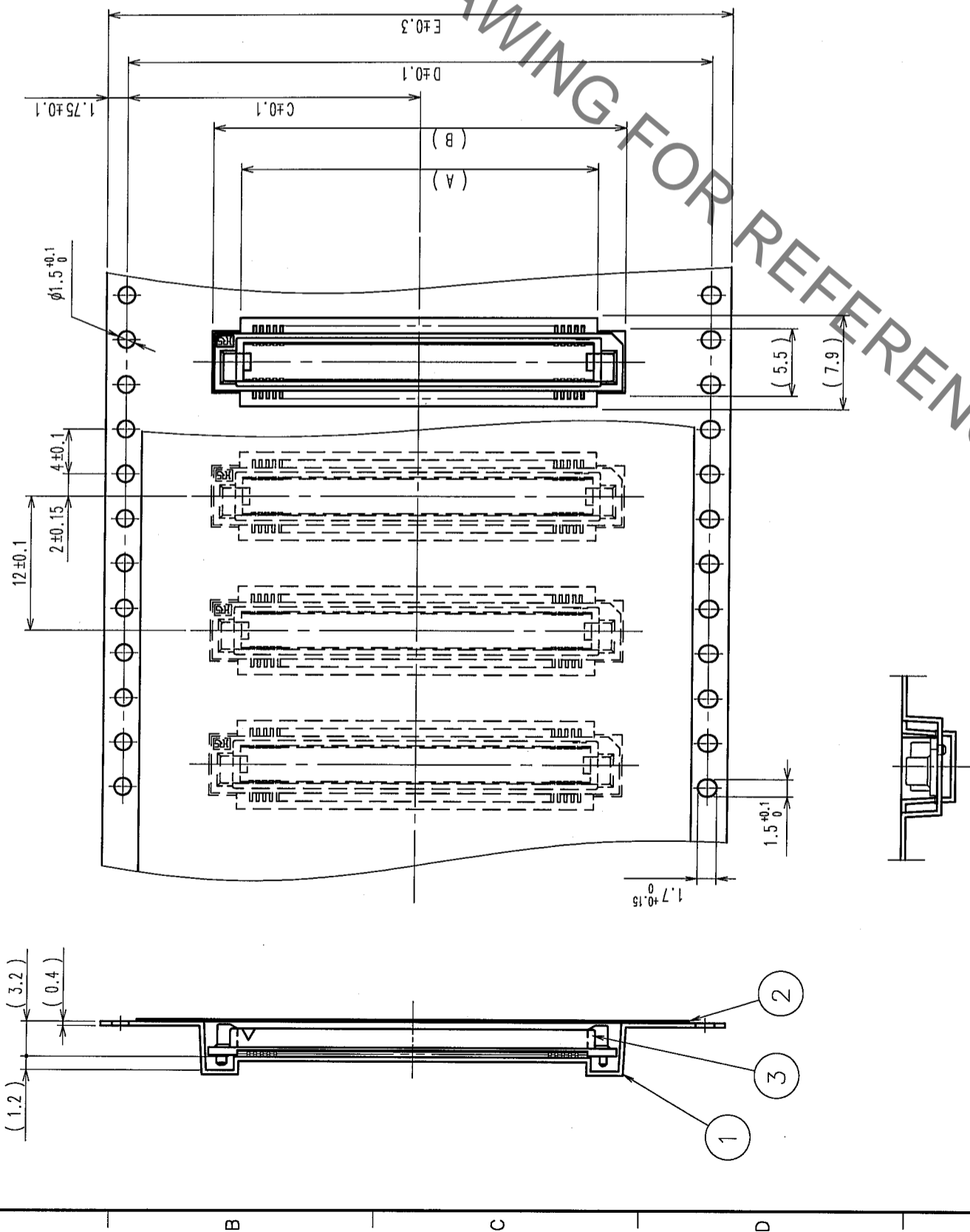
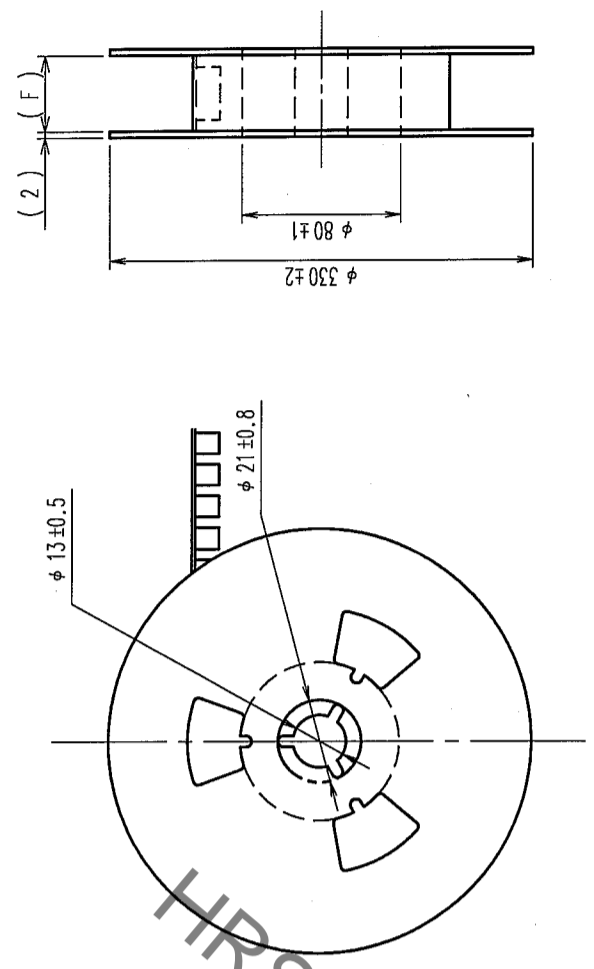


| COUNT | DESCRIPTION OF REVISIONS | BY | CHKD | DATE | COUNT | DESCRIPTION OF REVISIONS | BY | CHKD | DATE |
|-------|--------------------------|----|------|------|-------|--------------------------|----|------|------|
| △ | | | | | △ | | | | |
| △ | | | | | △ | | | | |



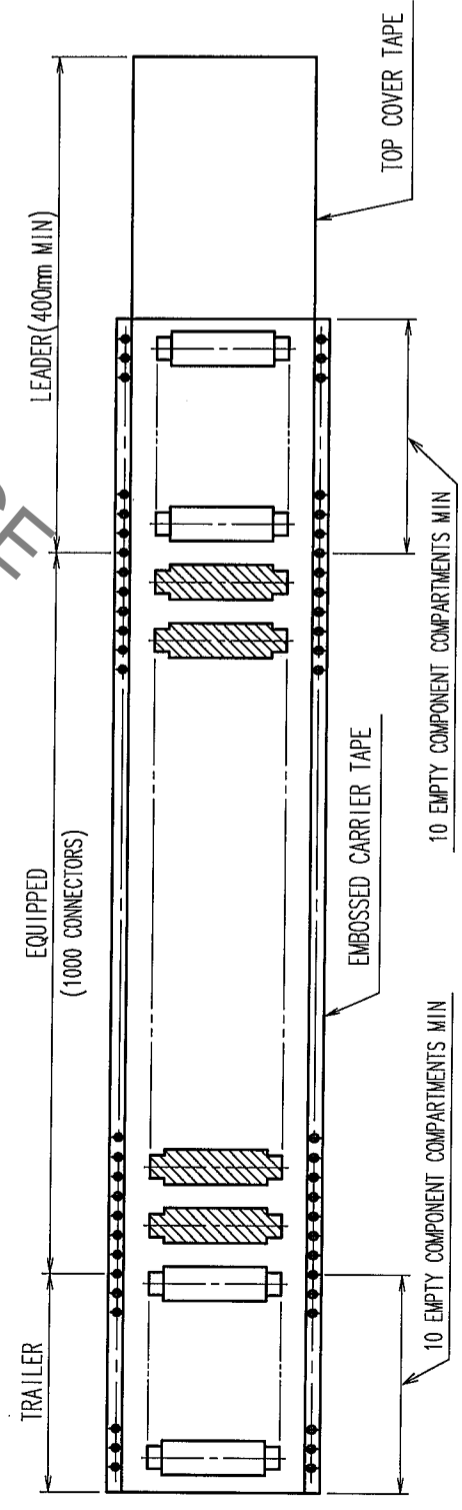
REEL DIMENSION



△ DIMENSION TABLE OF EMBOSSED CARRIER TAPE AND REEL.

| PART No. | CODE No. | 2 | A | B | C | D | E | F |
|-----------------|-----------------|-----|----|----|------|------|----|------|
| FX8-60P-SV(92) | CL578-0001-6-92 | 60 | 20 | 25 | 20.2 | 40.4 | 44 | 44.4 |
| FX8-80P-SV(92) | CL578-0003-1-92 | 80 | 26 | 31 | 20.2 | 40.4 | 44 | 44.4 |
| FX8-90P-SV(92) | CL578-0004-4-92 | 90 | 29 | 34 | 20.2 | 40.4 | 44 | 44.4 |
| FX8-100P-SV(92) | CL578-0005-7-92 | 100 | 32 | 37 | 26.2 | 52.4 | 56 | 56.4 |
| FX8-120P-SV(92) | CL578-0006-0-92 | 120 | 38 | 43 | 26.2 | 52.4 | 56 | 56.4 |
| FX8-140P-SV(92) | CL578-0007-2-92 | 140 | 44 | 49 | 34.2 | 68.4 | 72 | 72.4 |

NOTE 1 1 REEL : 1000 CONNECTORS
2 NUMBER OF CONTACTS



| 2 POLYESTER (TOP COVER TAPE) | | 3 (CONNECTOR) | |
|-------------------------------|----------|----------------------------|--------------------|
| NO. | MATERIAL | FINISH, REMARKS | MATERIAL |
| 1 | PS | | |
| CODE NO. (OLD) CL | | | |
| DRAWN S.SUZUKI | | DESIGNED K.NAKAMURA | CHECKED H.OKAWA |
| 03.03.06 | | 03.03.06 | 03.03.06 |
| DRAWING NO. EDC3-150726-22 | | PART NO. FX8-**P-SV(92) | |
| SCALE FREE | | APPROVED Y.YOSHIMURA | |
| UNITS mm | | RELEASED 03.03.06 | |
| | | CODE NO. CL578 | |

HIROSE ELECTRIC CO., LTD

X-ON Electronics

Largest Supplier of Electrical and Electronic Components

Click to view similar products for [Board to Board & Mezzanine Connectors](#) category:

Click to view products by [Hirose](#) manufacturer:

Other Similar products are found below :

[589158040000018](#) [MDF7C-18P-2.54DSA\(55\)](#) [FCN-230C068-11](#) [FCN-268F012-G/BD](#) [FCN-268F036-G/BD](#) [FCN-268M012-G/0D](#) [FCN-268M024-G/1D](#) [FCN-723J004/1](#) [MIS-048-01-F-D-DP-K](#) [832-10-034-10-001000](#) [FX4C-80S-1.27DSA](#) [FCN-214Q030-G/0](#) [FCN-234P048-G/0](#) [FCN-235D050-G/C](#) [210-93-314-41-105000](#) [2-22603-0](#) [MDF7-40DP-2.54DSA\(55\)](#) [AXG720047](#) [MIT-114-03-F-D-K](#) [55323-1519](#) [DF33-2P-3.3DSA\(24\)](#) [YFT-20-05-H-03-SB-K](#) [503308-3040](#) [026-6203-PDB](#) [027-6203-PDB](#) [069159702701000](#) [10123981-102LF](#) [101A10019X](#) [55650-0588-C](#) [68682-310LF](#) [68684-306](#) [75140-7012](#) [87471-650](#) [YTW-30-07-H-Q-410-140](#) [FCN-268F024-G0D](#) [10124054-515LF](#) [68685-603](#) [8-1616154-3](#) [MIS-019-01-F-D](#) [FCN-268M024-G/3D](#) [FCN-268M036-G/BD](#) [20021832-06016C1LF](#) [KX15-20KLDL-E1000E](#) [AXE810124](#) [FCN-214J100-G/0](#) [FCN-230C068-E/S](#) [AXE812124](#) [AXE816124](#) [AXE720127](#) [354184](#)