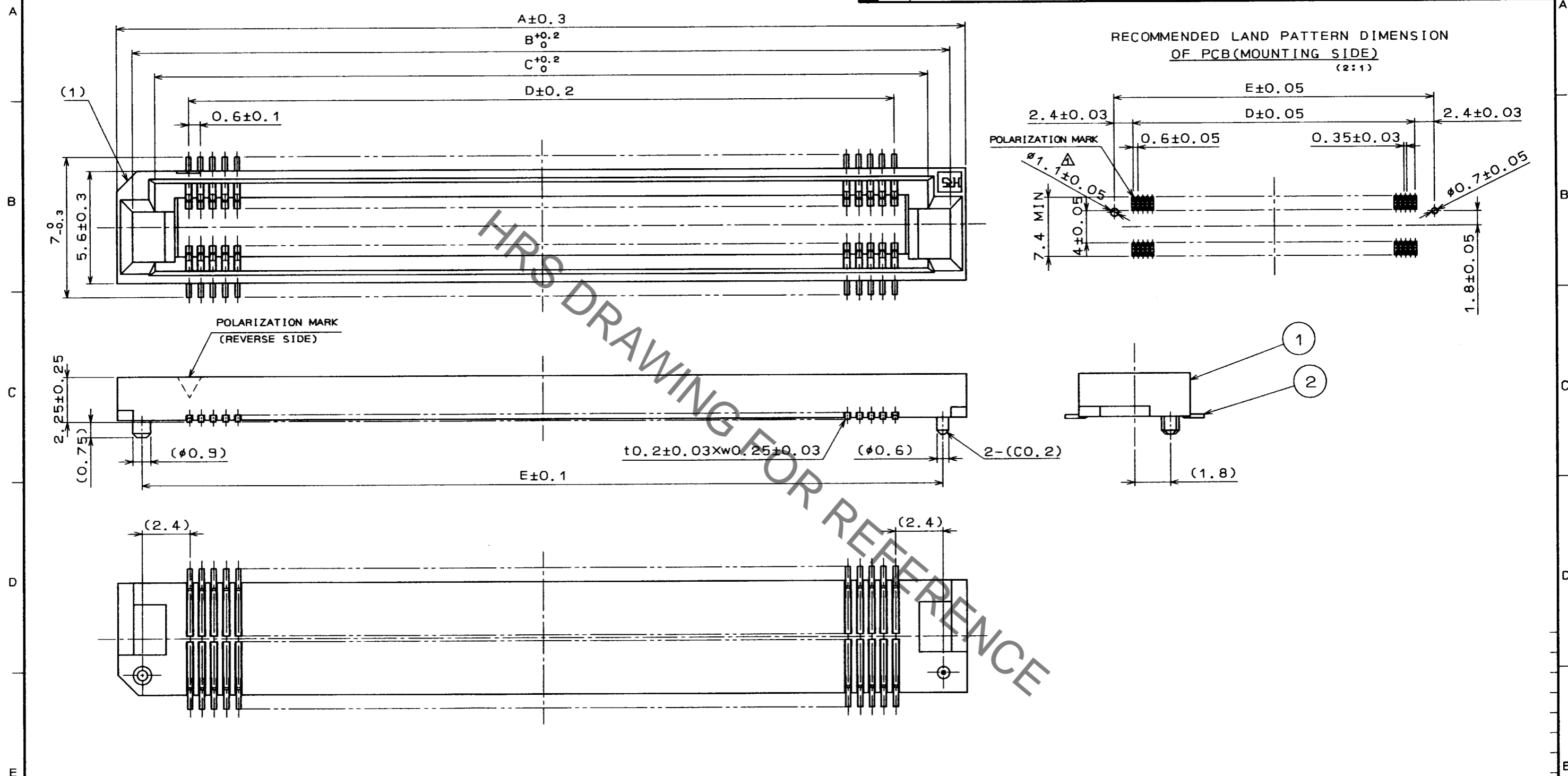


Sep.1.2021 Copyright 2021 HIROSE ELECTRIC CO., LTD. All Rights Reserved.
In case of consideration for using Automotive equipment / device which demand high reliability, kindly contact our sales window correspondents.

COUNT	DESCRIPTION OF REVISIONS	BY	CHKD	DATE	COUNT	DESCRIPTION OF REVISIONS	BY	CHKD	DATE
1	RE-F-4613	S.M	M.T	'96.4.2					



HRS DRAWING FOR REFERENCE

NUMBER OF CONTACT	PART NO.	CODE NO.	DRAWING NO.	A	B	C	D	E
60	FX8- 60S-SV(22)	CL578-0201-5-22	ADC3-150674-02	24.6	23.05	20.8	17.4	22.2
80	FX8- 80S-SV(22)	CL578-0203-0-22	ADC3-150740-02	30.6	29.05	26.8	23.4	28.2
90	FX8- 90S-SV(22)	CL578-0204-3-22	ADC3-150675-02	33.6	32.05	29.8	26.4	31.2

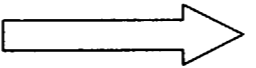
NOTE 1 READ CO-PLANARITY SHALL BE 0.1mm.
2 FOR DETAILS, SEE THE SECTION CONCERNING THE DELIVERY FORM ON NEXT PAGE.
3 FOR MODIFICATION, ETC., PREVENTIVE HOLE FOR SINK MARK MAY BE ADDED DEPENDS ON CIRCUMSTANCES.

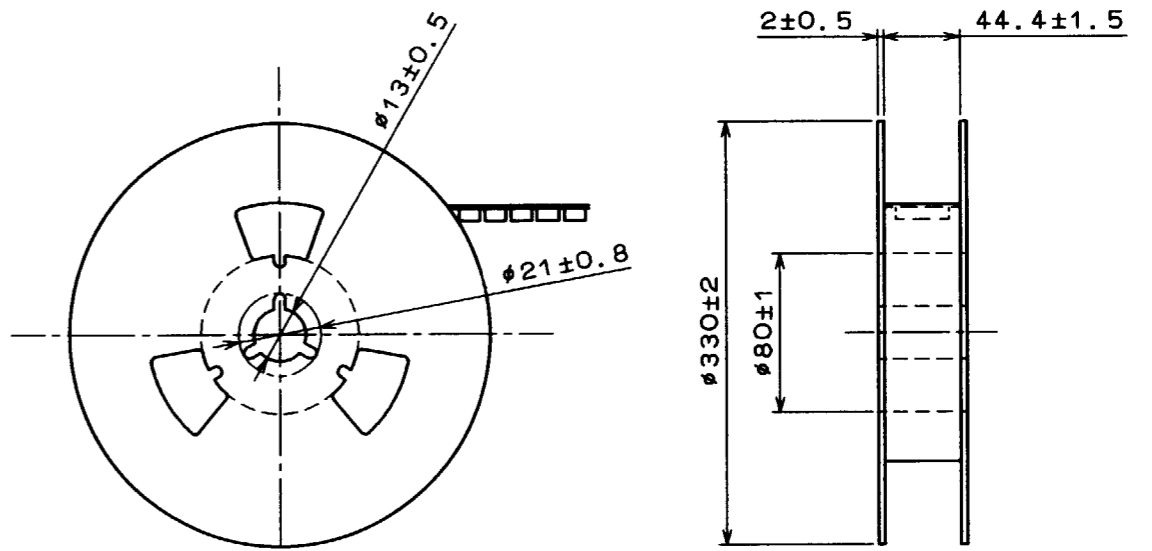
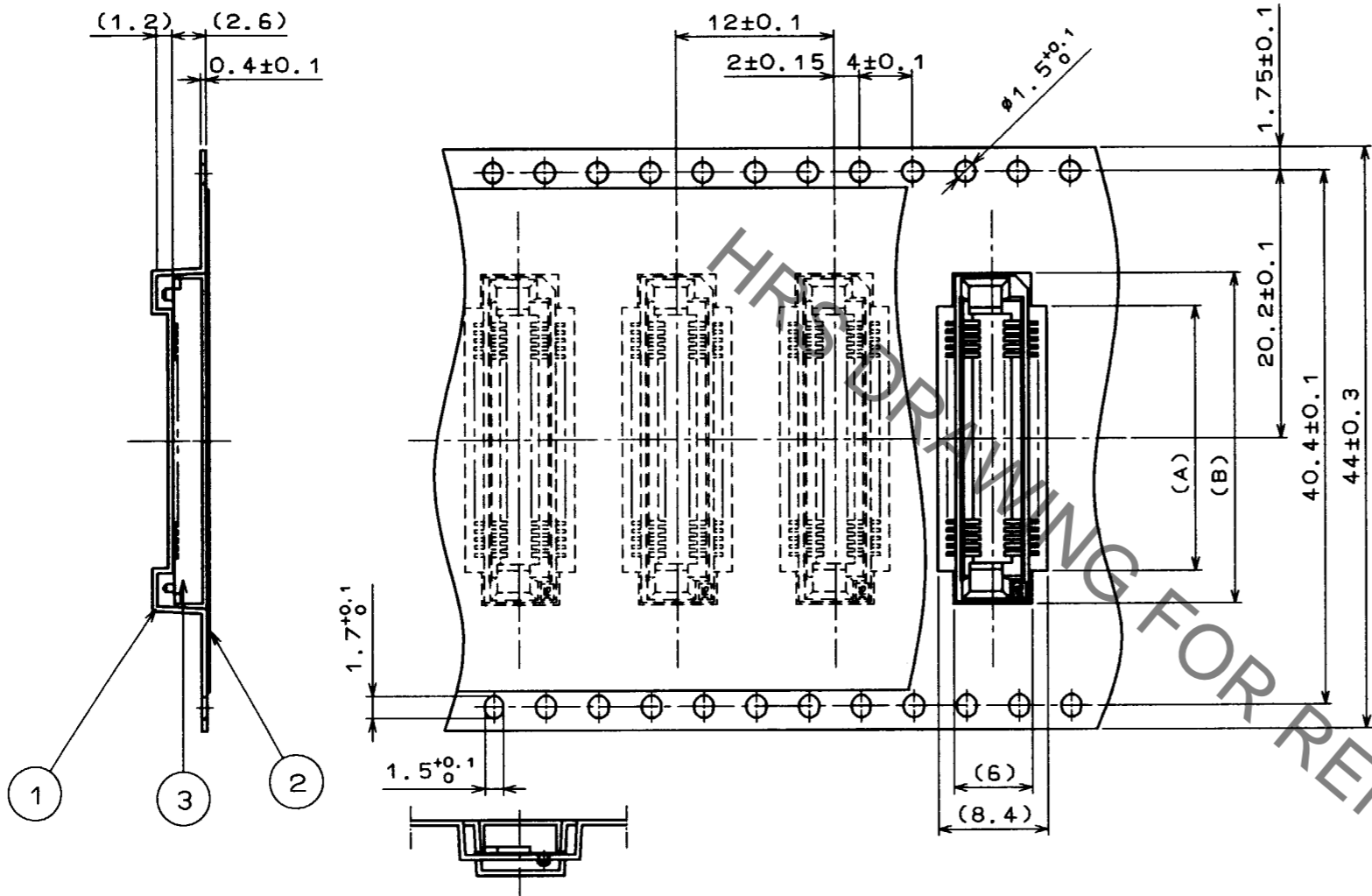
2	PHOSPHOR BRONZE	CONTACT AREA: GOLD(0.1μm) OVER NICKEL OTHERS: GOLD(FLASH) OVER NICKEL	1	PPS	LIGHT BROWN (UL94V-0)
NO.	MATERIAL	FINISH, REMARKS	NO.	MATERIAL	FINISH, REMARKS
CODE NO. (OLD)		DRAWN	DESIGNED	CHECKED	APPROVED
		S. Morita	J. Matsukawa	M. Tomita	Y. Yoshimura
		95.04.20	95.04.20	95.04.20	95.04.20
DRAWING NO. EDC3-150730-02		PART NO. FX8-***S-SV(22)			
SCALE 5 : 1		CODE NO. CL578		1/2	
UNITS mm		HRS HIROSE ELECTRIC CO., LTD.			

TO
PCM

Sep.1.2021 Copyright 2021 HIROSE ELECTRIC CO., LTD. All Rights Reserved.
In case of consideration for using Automotive equipment / device which demand high reliability, kindly contact our sales window correspondents.

COUNT	DESCRIPTION OF REVISIONS	BY	CHKD	DATE	COUNT	DESCRIPTION OF REVISIONS	BY	CHKD	DATE

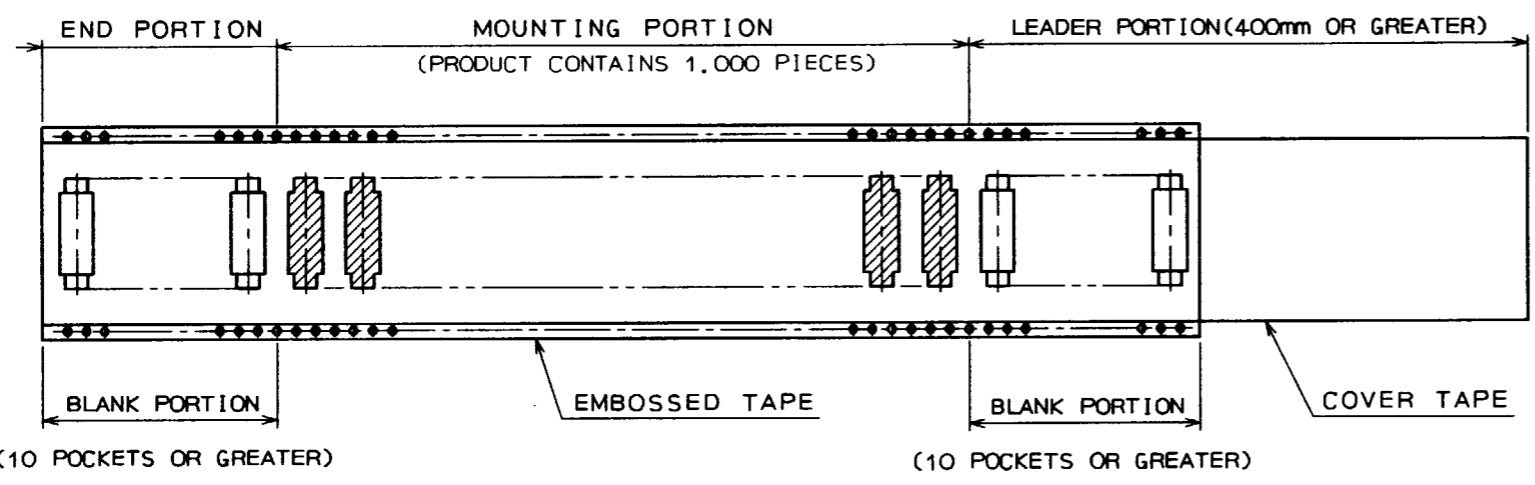

 DIRECTION OF REMOVAL



REEL CONDITION DIMENSIONS DIAGRAM(FREE)

NUMBER OF CONTACT	A	B
60	20	25
80	26	31
90	29	34

NOTE 1 1 REEL CONSISTS OF 1,000 PIECES.



2	POLYETHYLENE	COVER TAPE			
1	POLYSTYRENE	EMBOSSD TAPE	3	(CONNECTOR)	
NO.	MATERIAL	FINISH, REMARKS	NO.	MATERIAL	FINISH, REMARKS
CODE NO. (OLD)			DRAWN	DESIGNED	CHECKED
			<i>S. Morita</i>	<i>M. Katsukawa</i>	<i>M. Tamoto</i>
			95.10.3	95.10.3	95.11.1
			APPROVED	APPROVED	RELEASED
			<i>S. Morita</i>	<i>S. Yoshimura</i>	
			95.10.3	95.11.1	95.11.1
DRAWING NO.		PART NO.			
EDC3-150730-02		FX8-***S-SV(22)			
UNITS		CODE NO.			
m.m		CL578		2/2	

TO
PCM

X-ON Electronics

Largest Supplier of Electrical and Electronic Components

Click to view similar products for [Board to Board & Mezzanine Connectors](#) category:

Click to view products by [Hirose](#) manufacturer:

Other Similar products are found below :

[589158040000018](#) [MDF7C-18P-2.54DSA\(55\)](#) [FCN-230C068-11](#) [FCN-268F012-G/BD](#) [FCN-268F036-G/BD](#) [FCN-268M012-G/0D](#) [FCN-268M024-G/1D](#) [FCN-723J004/1](#) [MIS-048-01-F-D-DP-K](#) [832-10-034-10-001000](#) [FX4C-80S-1.27DSA](#) [FCN-214Q030-G/0](#) [FCN-234P048-G/0](#) [FCN-235D050-G/C](#) [210-93-314-41-105000](#) [2-22603-0](#) [MDF7-40DP-2.54DSA\(55\)](#) [AXG720047](#) [MIT-114-03-F-D-K](#) [55323-1519](#) [DF33-2P-3.3DSA\(24\)](#) [YFT-20-05-H-03-SB-K](#) [503308-3040](#) [026-6203-PDB](#) [027-6203-PDB](#) [069159702701000](#) [10123981-102LF](#) [101A10019X](#) [55650-0588-C](#) [68682-310LF](#) [68684-306](#) [75140-7012](#) [87471-650](#) [YTW-30-07-H-Q-410-140](#) [FCN-268F024-G0D](#) [10124054-515LF](#) [68685-603](#) [8-1616154-3](#) [MIS-019-01-F-D](#) [FCN-268M024-G/3D](#) [FCN-268M036-G/BD](#) [20021832-06016C1LF](#) [KX15-20KLDL-E1000E](#) [AXE810124](#) [FCN-214J100-G/0](#) [FCN-230C068-E/S](#) [AXE812124](#) [AXE816124](#) [AXE720127](#) [354184](#)