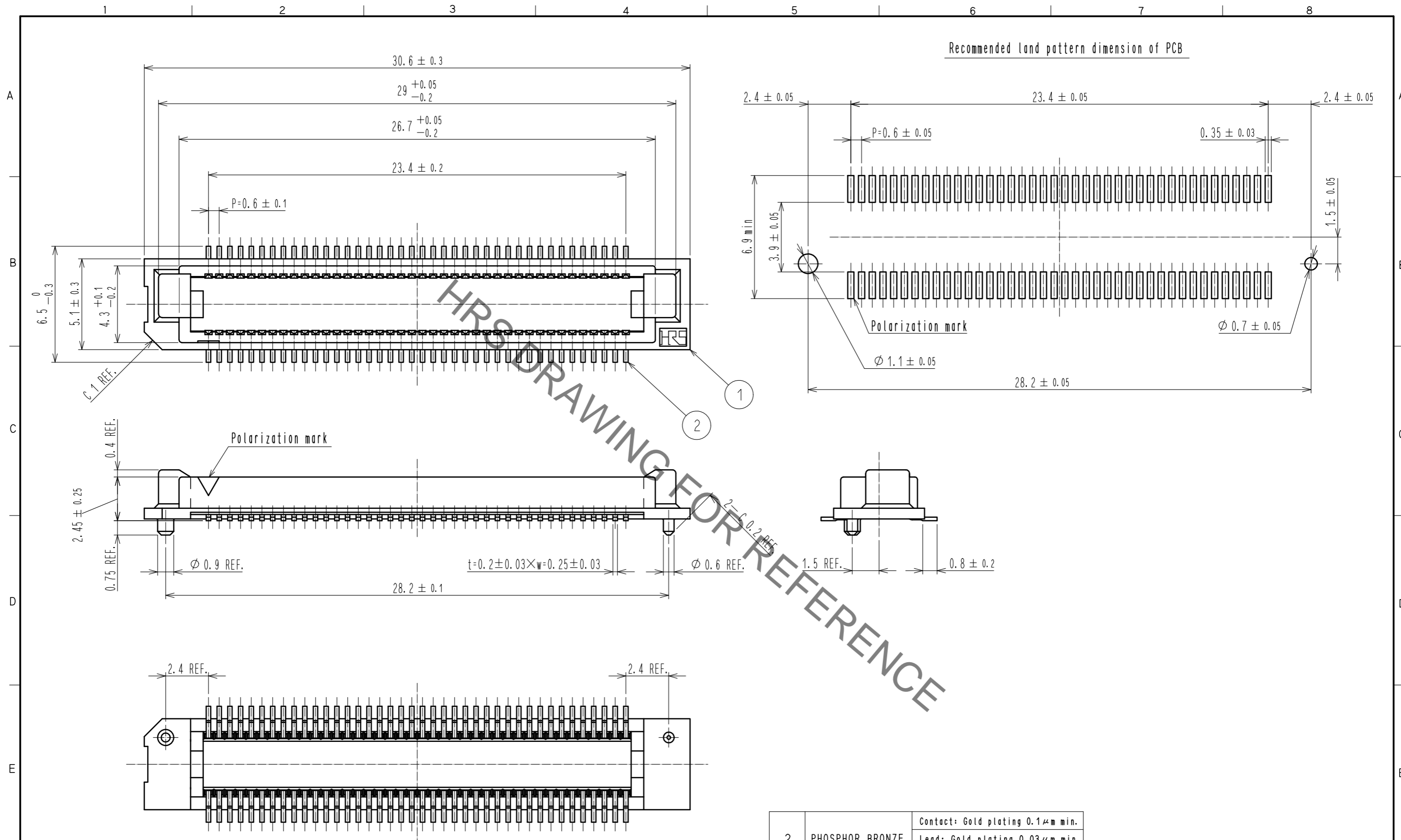


Sep.1.2021 Copyright 2021 HIROSE ELECTRIC CO., LTD. All Rights Reserved.
In case of consideration for using Automotive equipment / device which demand high reliability, kindly contact our sales window correspondents.



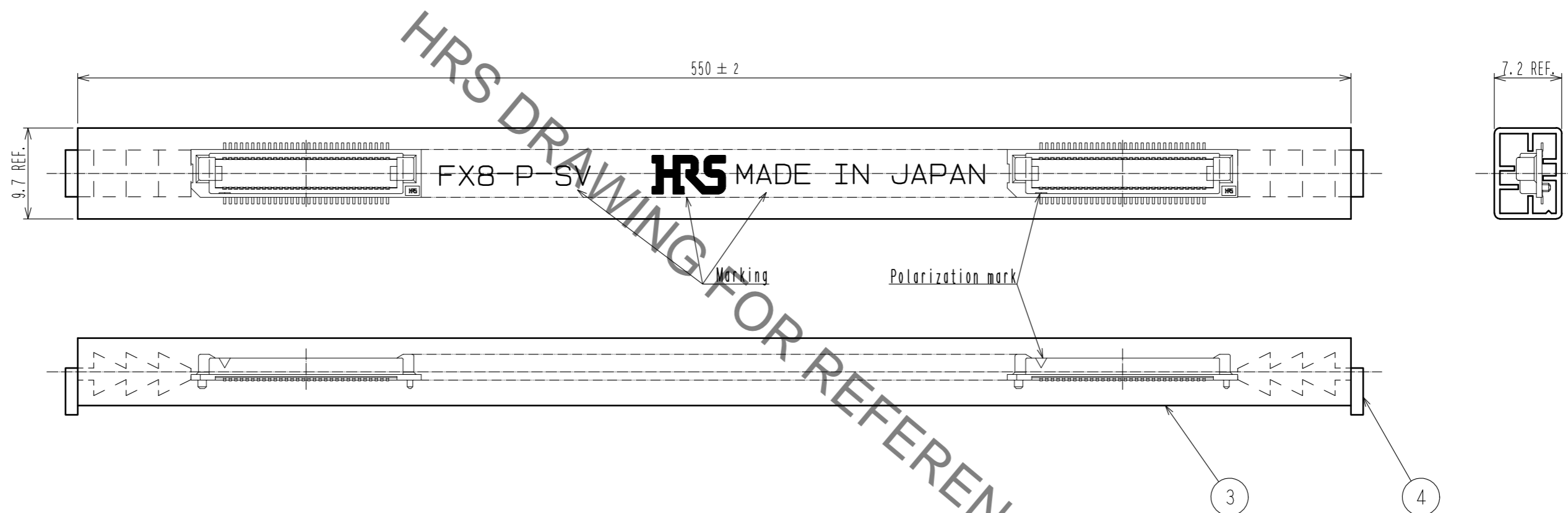
- Notes
- 1 SMT lead CO-PLANARITY : 0.1 max.
 - 2 Tube package is applied for this product. Please refer to the sheet 2/3 for the details.
 - 3 For modification, etc., preventive hole for sink mark may be added according to circumstances.

△ Added precaution

2	PHOSPHOR BRONZE	Contact: Gold plating 0.1 μm min. Lead: Gold plating 0.03 μm min. Under: Nickel plating 0.5 μm min.	4	PVC	Cap
1	PPS	Light brown, UL94V-0	3	PVC	Tube
NO.	MATERIAL	FINISH . REMARKS	NO.	MATERIAL	FINISH . REMARKS
UNITS	mm	SCALE	5 : 1	COUNT	△ 1
		DESCRIPTION OF REVISIONS	DESIGNED	CHECKED	DATE
		DIS-F-00006410	KS. NAKAJIMA	HT. YAMAGUCHI	20200803
APPROVED : NH. NAKATA		20161121	DRAWING NO. EDC-150736-91-00		
CHECKED : HT. YAMAGUCHI		20161121	PART NO. FX8-80P-SV(91)		
DESIGNED : MT. ITANO		20161121	CODE NO. CL578-0003-1-91		
DRAWN : MT. ITANO		20161121	1/3		

Sep.1.2021 Copyright 2021 HIROSE ELECTRIC CO., LTD. All Rights Reserved.
In case of consideration for using Automotive equipment / device which demand high reliability, kindly contact our sales window correspondents.

Drawing for packing (free)



Notes 4 1 tube : 17 connectors.

HRS	DRAWING NO.	EDC-150736-91-00
	PART NO.	FX8-80P-SV(91)
	CODE NO.	CL578-0003-1-91
		2/3

In case of consideration for using Automotive equipment / device which demand high reliability, kindly contact our sales window correspondents.

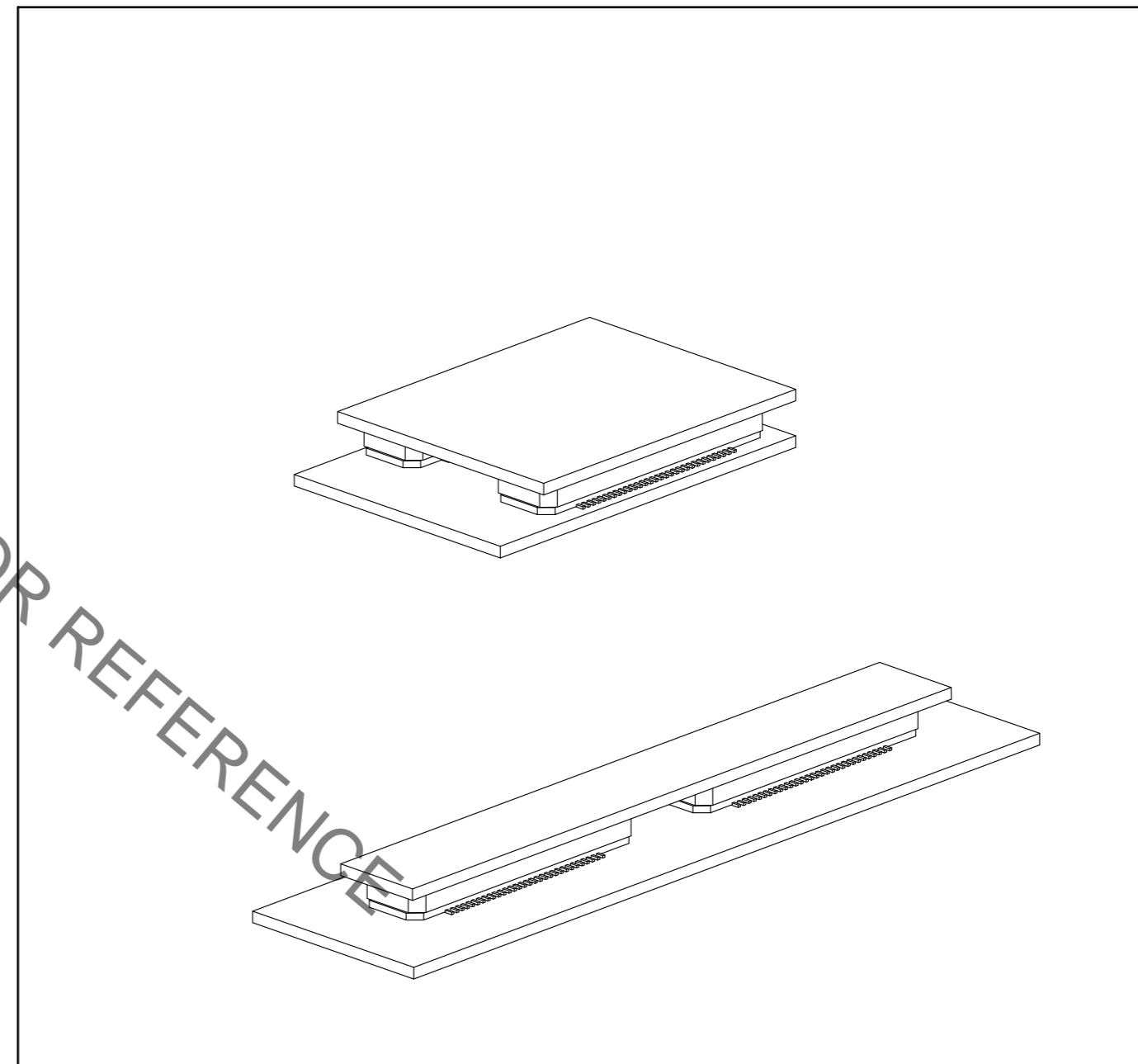
【 Precaution 】

When a board with multiple connectors mounted is mated, the connector may be damaged or deformed.
Please divide one side of the board so only one connector is mated per board.

OK



NG



HRS DRAWING FOR REFERENCE

HRS	DRAWING NO.	EDC-150736-91-00
	PART NO.	FX8-80P-SV(91)
	CODE NO.	CL578-0003-1-91
		3/3

X-ON Electronics

Largest Supplier of Electrical and Electronic Components

Click to view similar products for [Board to Board & Mezzanine Connectors](#) category:

Click to view products by [Hirose](#) manufacturer:

Other Similar products are found below :

[589158040000018](#) [MDF7C-18P-2.54DSA\(55\)](#) [FCN-230C068-11](#) [FCN-268F012-G/BD](#) [FCN-268F036-G/BD](#) [FCN-268M012-G/0D](#) [FCN-268M024-G/1D](#) [FCN-723J004/1](#) [MIS-048-01-F-D-DP-K](#) [832-10-034-10-001000](#) [FX4C-80S-1.27DSA](#) [FCN-214Q030-G/0](#) [FCN-234P048-G/0](#) [FCN-235D050-G/C](#) [210-93-314-41-105000](#) [2-22603-0](#) [MDF7-40DP-2.54DSA\(55\)](#) [AXG720047](#) [MIT-114-03-F-D-K](#) [55323-1519](#) [DF33-2P-3.3DSA\(24\)](#) [YFT-20-05-H-03-SB-K](#) [503308-3040](#) [026-6203-PDB](#) [027-6203-PDB](#) [069159702701000](#) [10123981-102LF](#) [101A10019X](#) [55650-0588-C](#) [68682-310LF](#) [68684-306](#) [75140-7012](#) [87471-650](#) [YTW-30-07-H-Q-410-140](#) [FCN-268F024-G0D](#) [10124054-515LF](#) [68685-603](#) [8-1616154-3](#) [MIS-019-01-F-D](#) [FCN-268M024-G/3D](#) [FCN-268M036-G/BD](#) [20021832-06016C1LF](#) [KX15-20KLDL-E1000E](#) [AXE810124](#) [FCN-214J100-G/0](#) [FCN-230C068-E/S](#) [AXE812124](#) [AXE816124](#) [AXE720127](#) [354184](#)