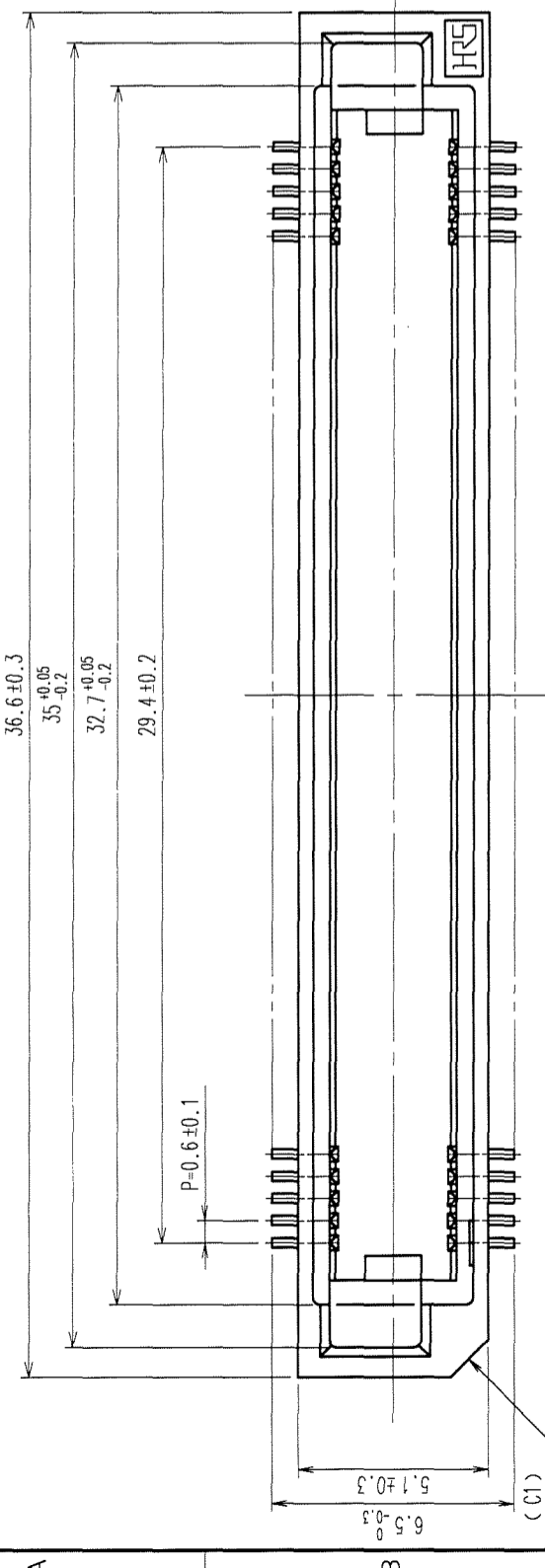
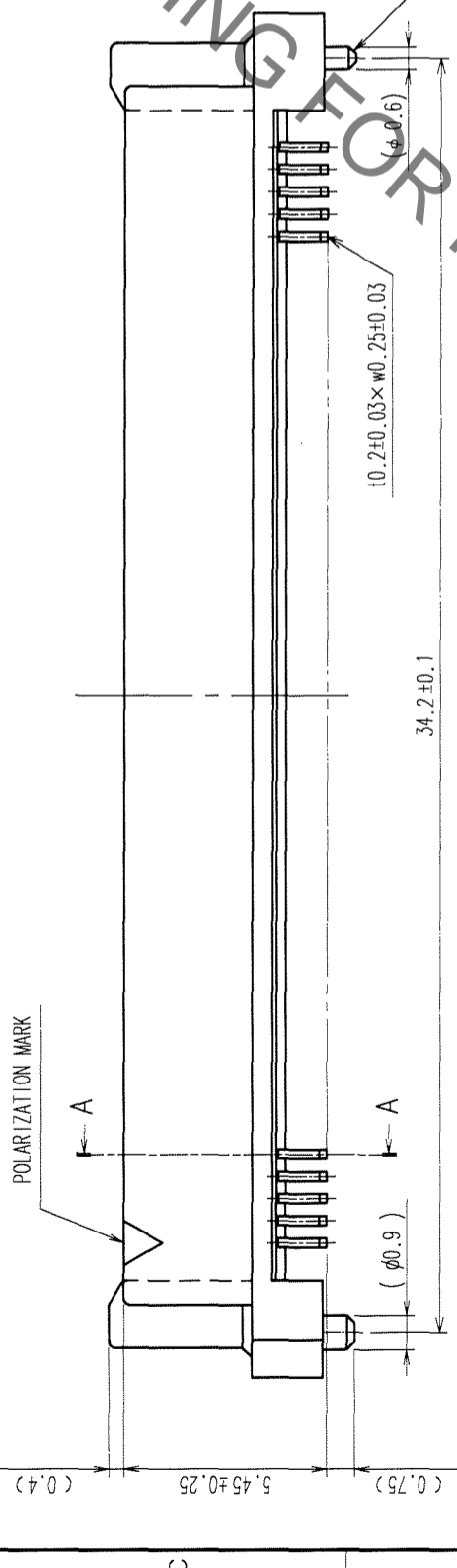
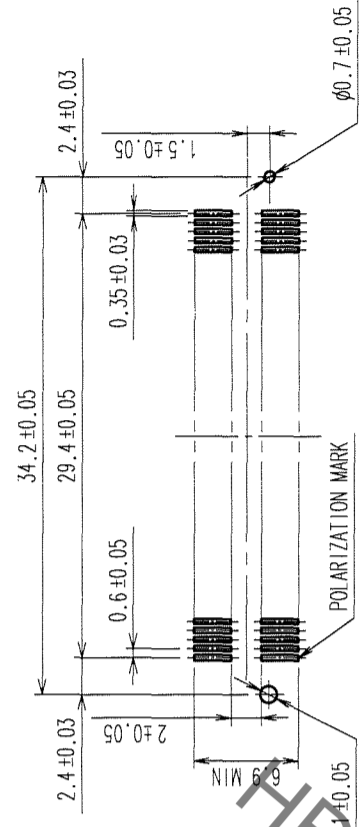


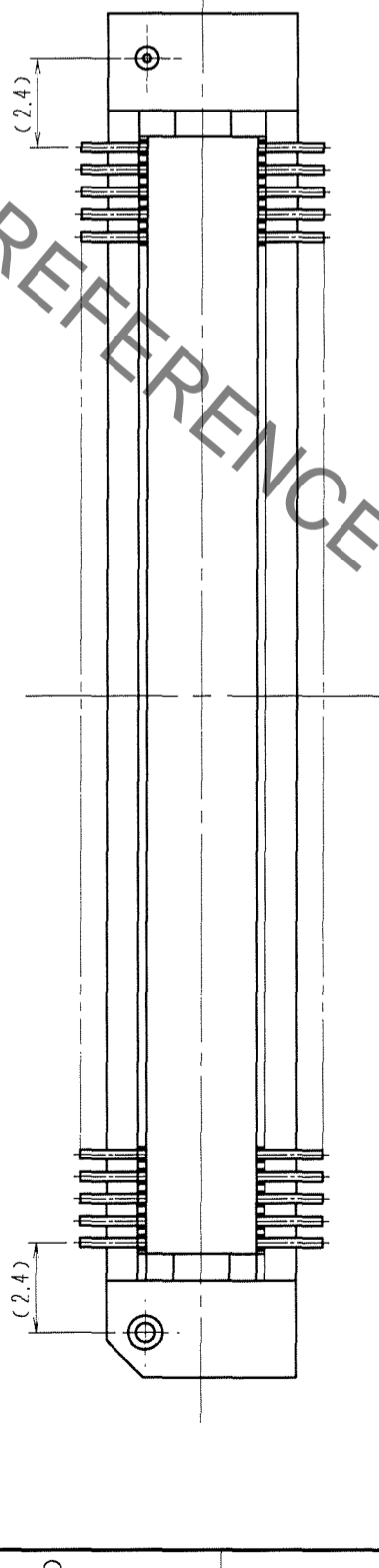
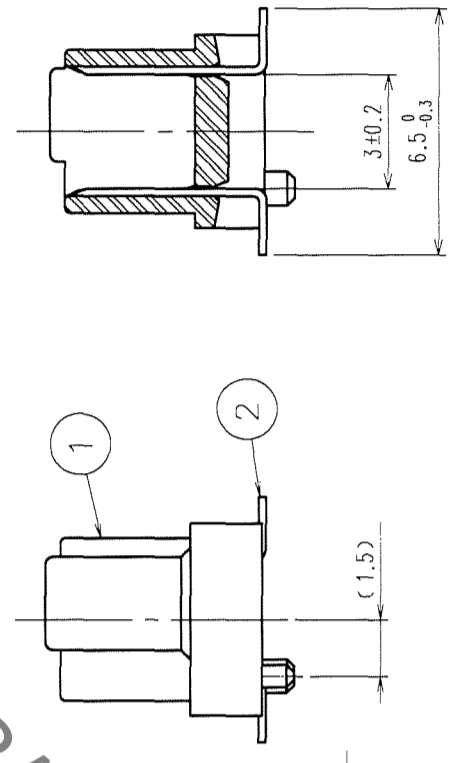
| COUNT | DESCRIPTION OF REVISIONS | BY | CHKD | DATE | COUNT | DESCRIPTION OF REVISIONS | BY | CHKD | DATE |
|-------|--------------------------|----|------|------|-------|--------------------------|----|------|------|
| △ | | | | | | | | | |
| △ | | | | | | | | | |



RECOMMENDED LAND PATTERN DIMENSION OF PCB (MOUNTING SIDE) (2:1)



A-A



- NOTE 1. LEAD CO-PLANARITY SHALL BE 0.1mm MAX.
 2. FOR MODIFICATION, ETC., PREVENTIVE HOLE FOR SINK MARK MAY BE ADDED ACCORDING TO CIRCUMSTANCES.
 3. THE DIMENSIONS IN PARENTHESES ARE FOR REFERENCE.

| 1 | PPS | LIGHT BROWN (UL94V-0) | 2 | PHOSPHOR BRONZE | CONTACT AREA: GOLD 0.1μm min. LEAD AREA: TIN-PLATING 1μm min. UNDER PLATING: NICKEL 1μm min. |
|-----------------|----------|---------------------------|-------------|-----------------|--|
| NO. | MATERIAL | FINISH, REMARKS | NO. | MATERIAL | FINISH, REMARKS |
| | CL | | | | |
| CODE NO. (COLD) | | DRAWN | DESIGNED | CHECKED | APPROVED |
| | | K. NAKAMURA | K. NAKAMURA | X. Ogawa | H. Okawa |
| | | 05.12.16 | 05.12.16 | 05.12.16 | 05.12.16 |
| DRAWING NO. | | PART NO. | | RELEASED | |
| EDC3-150833-25 | | FX8C-100P-SV1(71) | | | |
| SCALE | | CODE NO. | | 1/1 | |
| 5 : 1 | | CL578-0525-7-71 | | | |
| UNITS | | HIROSE ELECTRIC CO., LTD. | | FORM NO. 229 | |
| mm | | | | | |

| | |
|-----|--|
| TO | |
| PCK | |

X-ON Electronics

Largest Supplier of Electrical and Electronic Components

Click to view similar products for [Board to Board & Mezzanine Connectors](#) category:

Click to view products by [Hirose](#) manufacturer:

Other Similar products are found below :

[009148008080206](#) [009158016020061](#) [009158016025061](#) [009158016025062](#) [009158016030061](#) [009158016030062](#) [009158020030061](#)
[009158028030061](#) [009159002001106](#) [009159002001916](#) [009159002501906](#) [009159002502906](#) [009159002551906](#) [009159003501906](#)
[009159003551906](#) [009159004001106](#) [009159004001916](#) [009159004061916](#) [009159004501906](#) [009159004502906](#) [009159004551906](#)
[009159004651906](#) [009159004651916](#) [009159005001106](#) [009159005501906](#) [009159005502906](#) [009159005551906](#) [009159006061916](#)
[009159006501906](#) [009159006551906](#) [009159006651906](#) [009159008061916](#) [009159010061916](#) [009159012651906](#) [009159012651916](#)
[009188004012062](#) [009188004020062](#) [009188006020062](#) [009188008020062](#) [009258008004063](#) [009258008004064](#) [009258008008062](#)
[009258008008063](#) [009258008008064](#) [026-6203-PDB](#) [027-6203-PDB](#) [046801630111846+](#) [046801640111846+](#) [046801650111846+](#)
[0513386473](#)