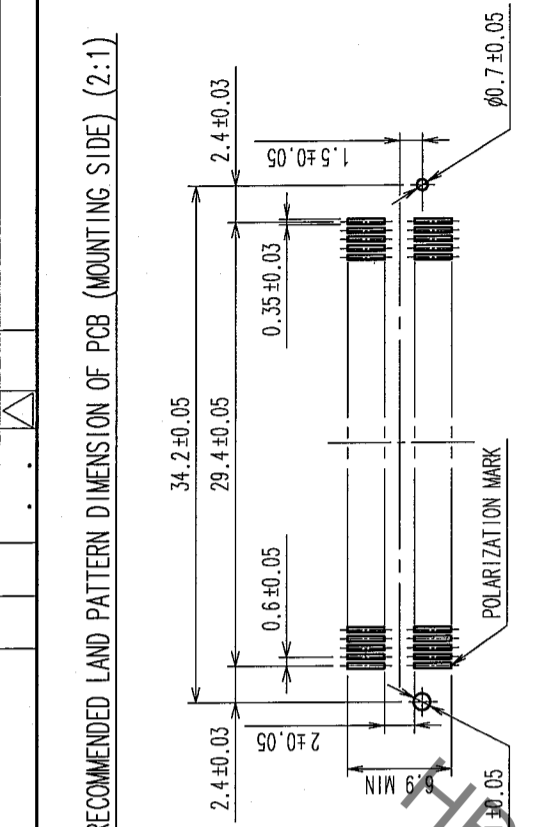
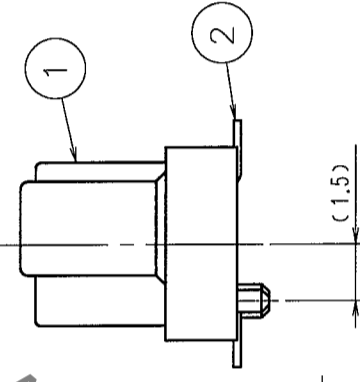
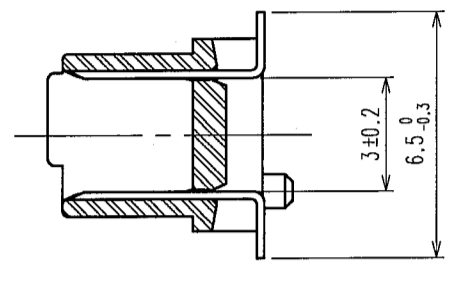


COUNT	DESCRIPTION OF REVISIONS	BY	CHKD	DATE	COUNT	DESCRIPTION OF REVISIONS	BY	CHKD	DATE
△					△				
△					△				

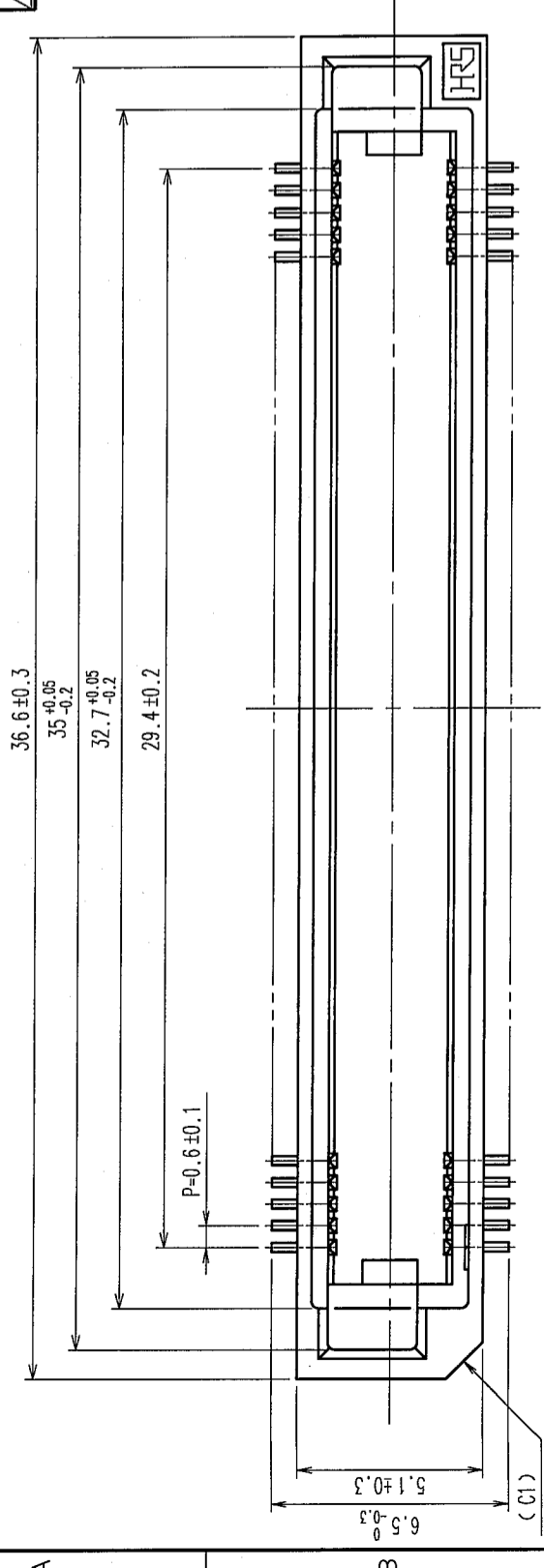
RECOMMENDED LAND PATTERN DIMENSION OF PCB (MOUNTING SIDE) (2:1)



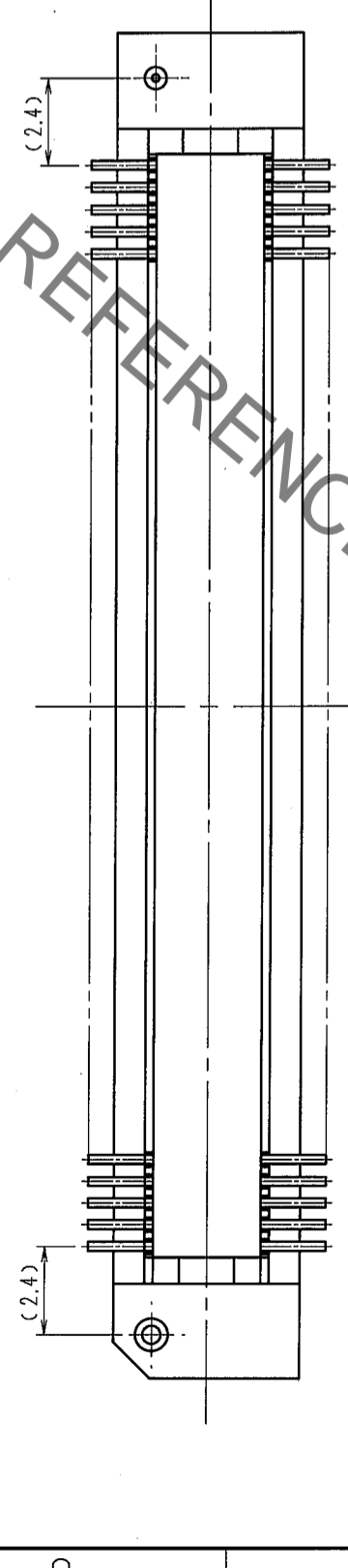
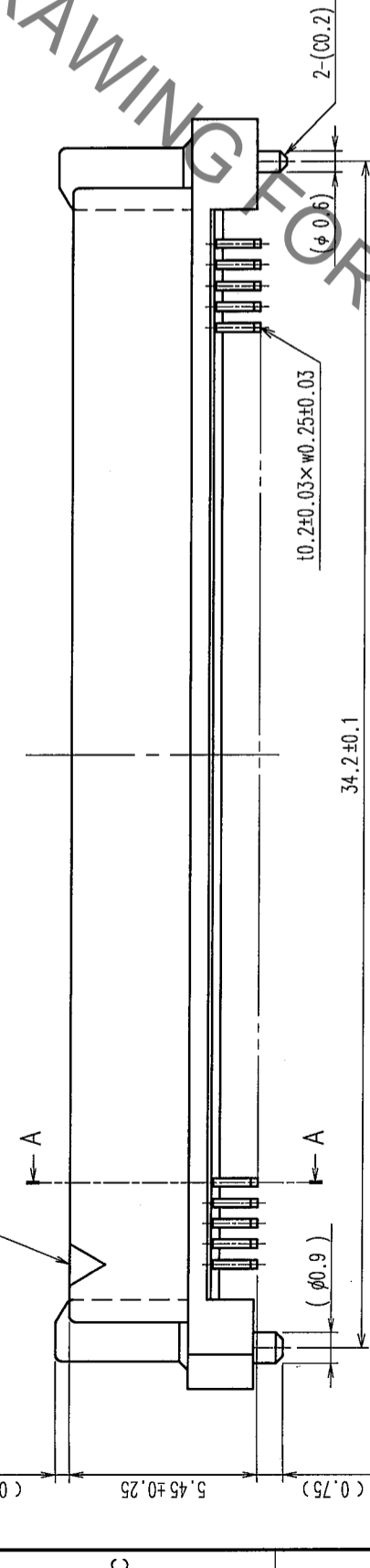
A-A



- NOTE.
- 1.LEAD CO-PLANARITY SHALL BE 0.1mm MAX.
 - 2.TUBE PACKAGING SHALL BE APPLIED FOR THIS PRODUCT. SEE NEXT PAGE FOR DETAILS.
 - 3.FOR MODIFICATION,ETC.,PREVENTIVE HOLE FOR SINK MARK MAY BE ADDED ACCORDING TO CIRCUMSTANCES.
 - 4.THE DIMENSIONS IN PARENTHESES ARE FOR REFERENCE.



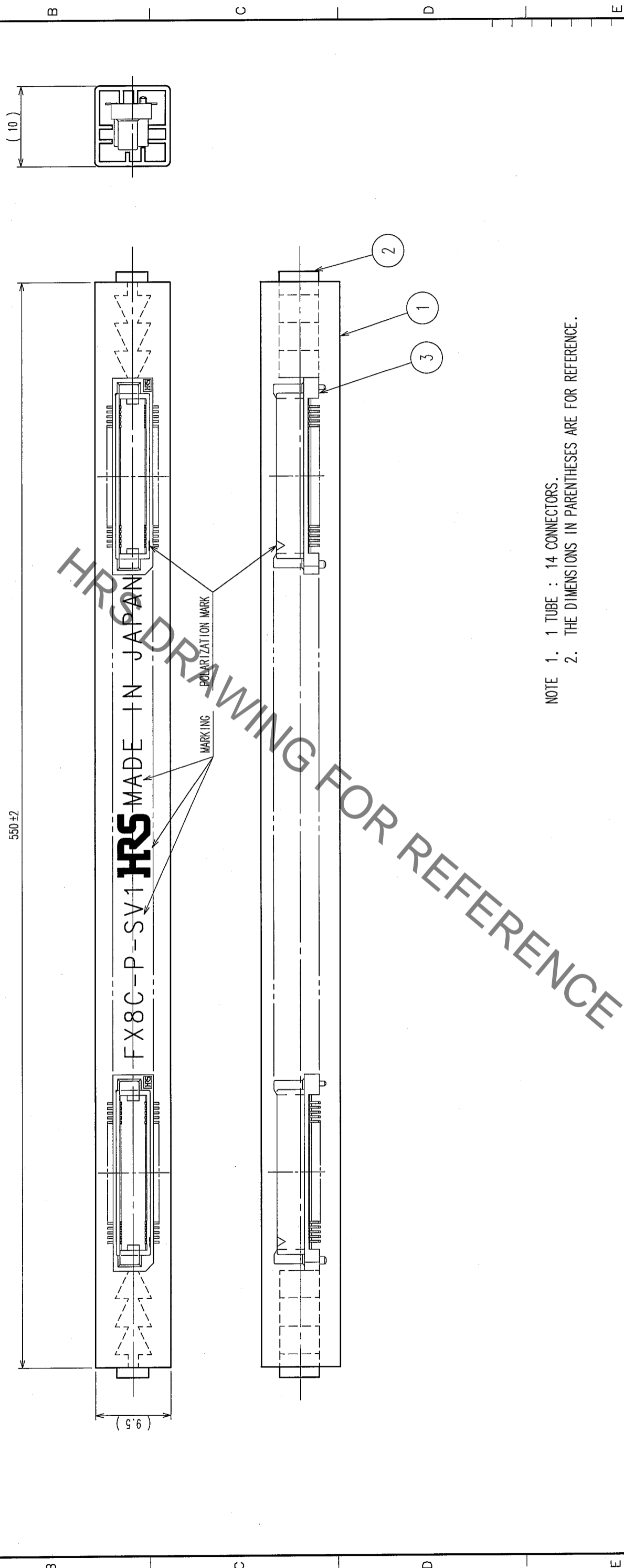
POLARIZATION MARK



1	PPS	LIGHT BROWN (UL94V-0)	2	PHOSPHOR BRONZE	CONTACT AREA:GOLD 0.1μm min. LEAD AREA:TIN-PLATING 1μm min. UNDER PLATING:NICKEL 1μm min.
NO.	MATERIAL	FINISH, REMARKS	NO.	MATERIAL	FINISH, REMARKS
CODE NO.(COLD) CL			DRAWN K.NAKAMURA	DESIGNED K.NAKAMURA	CHECKED K.Syama
			05.12.16	05.12.16	'05.12.16
DRAWING NO. EDC3-150833-21			PART NO. FX8C-100P-SV1(91)		
SCALE 5:1			CODE NO. CL578-0525-7-91		
UNITS mm			HIROSE ELECTRIC CO.,LTD.		

TO	
PCK	

COUNT	DESCRIPTION OF REVISIONS	BY	CHKD	DATE	COUNT	DESCRIPTION OF REVISIONS	BY	CHKD	DATE
△					△				
△					△				
△					△				



NOTE 1. 1 TUBE : 14 CONNECTORS.
 2. THE DIMENSIONS IN PARENTHESES ARE FOR REFERENCE.

2 POLYVINYL CHLORIDE (STOPPER)		3 (CONNECTOR)			
NO.	MATERIAL	FINISH, REMARKS	NO.	MATERIAL	FINISH, REMARKS
1	POLYVINYL CHLORIDE	(TUBE)	1	POLYVINYL CHLORIDE	(CONNECTOR)
CODE NO. (OLD) CL		DRAWN		DESIGNED	CHECKED
		K. NAKAMURA		K. NAKAMURA	J.C. Ogawa
		05.12.16		05.12.16	05.12.16
DRAWING NO. EDC3-150833-21		PART NO. FX8C-100P-SV1 (91)		APPROVED	RELEASED
SCALE FREE		HIROSE ELECTRIC CO., LTD			
UNITS mm		CODE NO. CL578-0525-7-91			

TO	
PCK	

X-ON Electronics

Largest Supplier of Electrical and Electronic Components

Click to view similar products for [Board to Board & Mezzanine Connectors](#) category:

Click to view products by [Hirose](#) manufacturer:

Other Similar products are found below :

[589158040000018](#) [MDF7C-18P-2.54DSA\(55\)](#) [FCN-230C068-11](#) [FCN-268F012-G/BD](#) [FCN-268F036-G/BD](#) [FCN-268M012-G/0D](#) [FCN-268M024-G/1D](#) [FCN-723J004/1](#) [MIS-048-01-F-D-DP-K](#) [832-10-034-10-001000](#) [FX4C-80S-1.27DSA](#) [FCN-214Q030-G/0](#) [FCN-234P048-G/0](#) [FCN-235D050-G/C](#) [210-93-314-41-105000](#) [2-22603-0](#) [MDF7-40DP-2.54DSA\(55\)](#) [AXG720047](#) [MIT-114-03-F-D-K](#) [55323-1519](#) [DF33-2P-3.3DSA\(24\)](#) [YFT-20-05-H-03-SB-K](#) [503308-3040](#) [026-6203-PDB](#) [027-6203-PDB](#) [069159702701000](#) [10123981-102LF](#) [101A10019X](#) [55650-0588-C](#) [68682-310LF](#) [68684-306](#) [75140-7012](#) [87471-650](#) [YTW-30-07-H-Q-410-140](#) [FCN-268F024-G0D](#) [10124054-515LF](#) [68685-603](#) [8-1616154-3](#) [MIS-019-01-F-D](#) [FCN-268M024-G/3D](#) [FCN-268M036-G/BD](#) [20021832-06016C1LF](#) [KX15-20KLDL-E1000E](#) [AXE810124](#) [FCN-214J100-G/0](#) [FCN-230C068-E/S](#) [AXE812124](#) [AXE816124](#) [AXE720127](#) [354184](#)