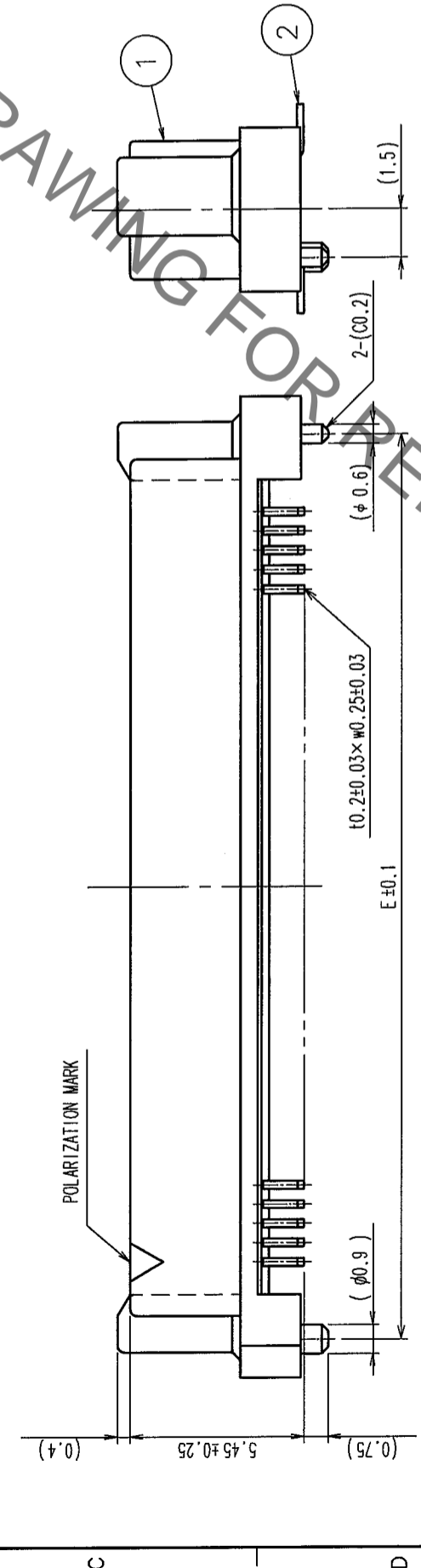
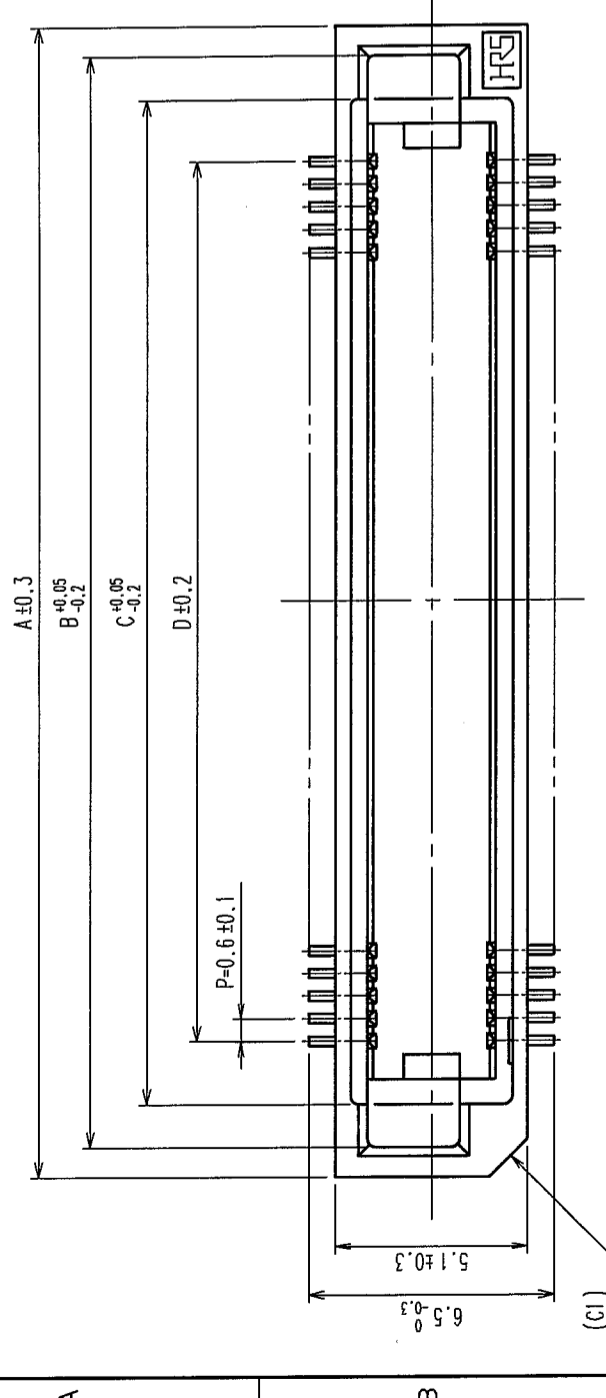


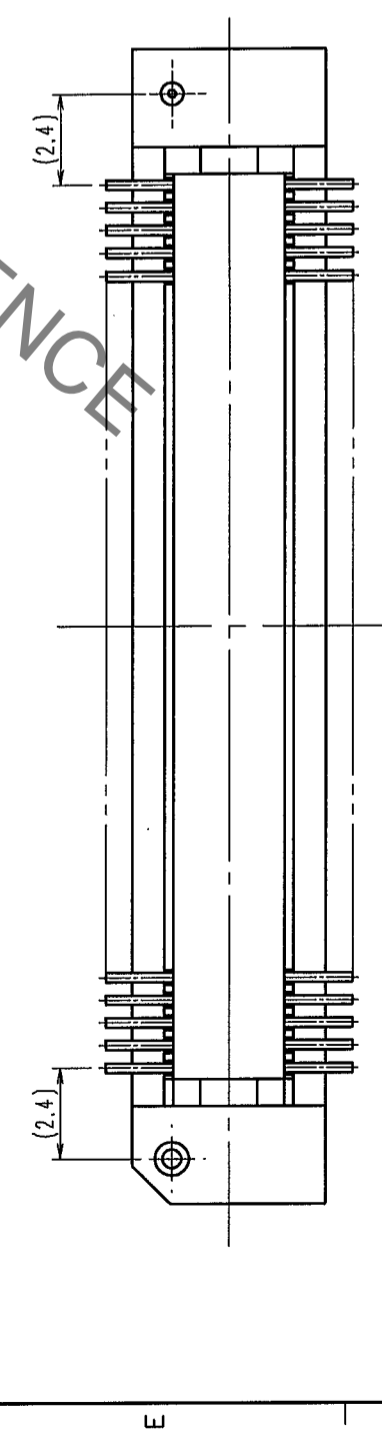
| COUNT | DESCRIPTION OF REVISIONS | BY | CHKD | DATE | COUNT | DESCRIPTION OF REVISIONS | BY | CHKD | DATE |
|-------|--------------------------|-----|------|----------|-------|--------------------------|----|------|------|
| 3 | RE-F-09671 | K.N | H.Y | 09.09.08 | | | | | |
| | | | | | | | | | |
| | | | | | | | | | |



DIMENSION TABLE OF CONNECTOR AND P.C.B. LAND PATTERN.

| PART No. | CODE No. | 6 | 7 | A | B | C | D | E |
|-------------------|-----------------|-----|---|-------|-------|-------|-------|-------|
| FX8C-60P-SV1(93) | CL578-0521-6-93 | 60 | × | 24.60 | 23.00 | 20.70 | 17.40 | 22.20 |
| FX8C-80P-SV1(93) | CL578-0523-1-93 | 80 | × | 30.60 | 29.00 | 26.70 | 23.40 | 28.20 |
| FX8C-100P-SV1(93) | CL578-0525-7-93 | 100 | - | 36.60 | 35.00 | 32.70 | 29.40 | 34.20 |
| FX8C-120P-SV1(93) | CL578-0526-0-93 | 120 | - | 42.60 | 41.00 | 38.70 | 35.40 | 40.20 |
| FX8C-140P-SV1(93) | CL578-0527-2-93 | 140 | - | 48.60 | 47.00 | 44.70 | 41.40 | 46.20 |

- NOTE 1. LEAD CO-PLANARITY SHALL BE 0.1mm MAX.
 2. EMBOSSED CARRIER TAPE PACKAGING SHALL BE APPLIED TO THIS PRODUCT.
 SEE NEXT PAGE FOR DETAILS.
 3. THIS PRODUCT HAS TAPE FOR VACUUM PICKUP.
 SEE NEXT PAGE FOR DETAIL OF STICKING POSITION, ETC.
 4. FOR MODIFICATION, ETC., PREVENTIVE HOLE FOR SINK MARK MAY BE ADDED ACCORDING TO CIRCUMSTANCES.
 5. THE DIMENSIONS IN PARENTHESES ARE FOR REFERENCE.
- 6 NUMBER OF CONTACTS
 7 EXISTENCE
- × : PRODUCED, - : NO PRODUCED



| NO. | MATERIAL | FINISH, REMARKS | NO. | MATERIAL | DESIGNED | CHECKED | APPROVED | RELEASED |
|----------------|----------|-----------------------|-----------------|-----------------|-------------------|----------|--------------|----------|
| 1 | PPS | LIGHT BROWN (UL94V-0) | 2 | PHOSPHOR BRONZE | K. NAKAMURA | H. OKAWA | Y. YOSHIMURA | |
| CODE NO. (OLD) | | CL | DRAWN | | S. SUZUKI | | | |
| | | | FINISH, REMARKS | | 03.02.03 | | | |
| | | | NO. | | 03.02.12 | | | |
| | | | PART NO. | | FX8C-**-P-SV1(93) | | | |
| DRAWING NO. | | EDC3-151087-23 | | | | | | |
| SCALE | | FREE | | | | | | |
| UNITS | | MM | | | | | | |
| | | | | CODE NO. | | CL578 | | |

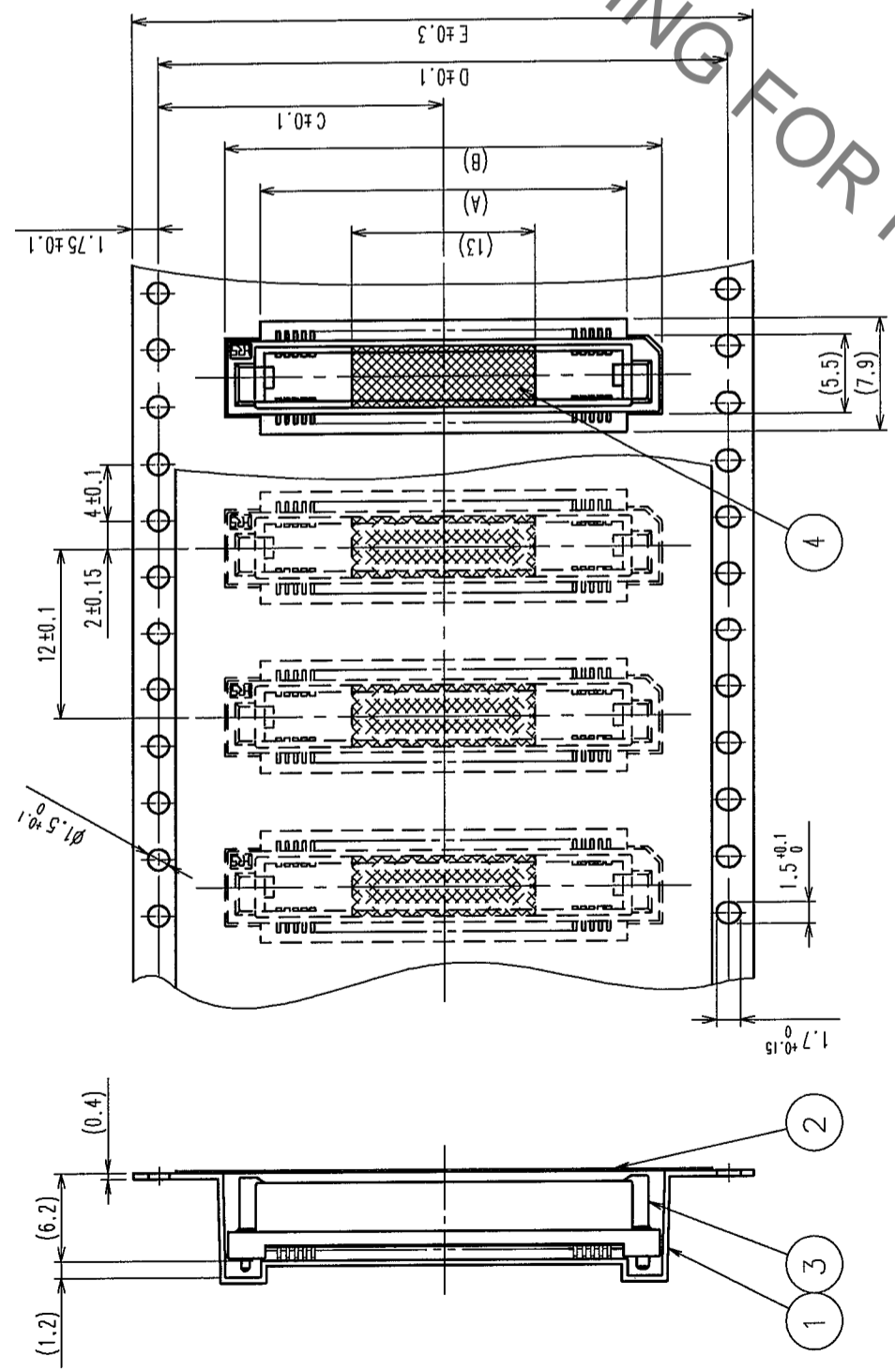
| | |
|-----|--|
| TO | |
| PCK | |

HRS DRAWING FOR REFERENCE

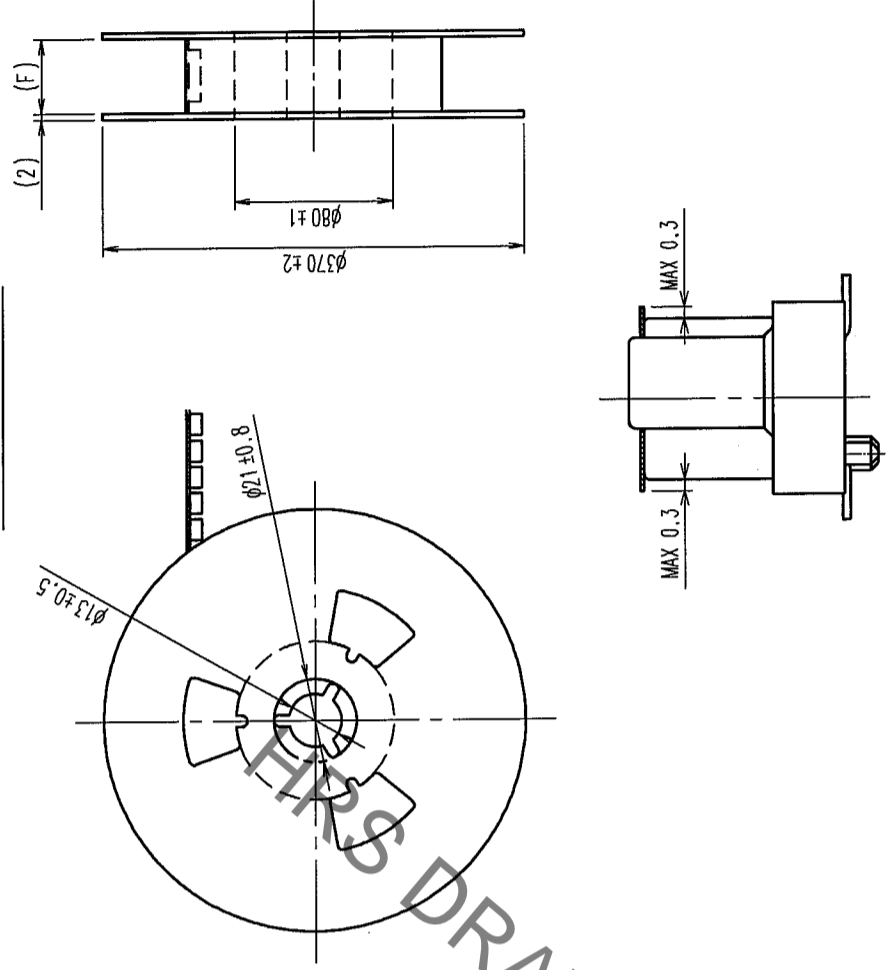
2 In case of consideration for using Automotive equipment / device which demand high reliability, kindly contact our sales window correspondents.

| COUNT | DESCRIPTION OF REVISIONS | BY | CHKD | DATE | COUNT | DESCRIPTION OF REVISIONS | BY | CHKD | DATE |
|-------|--------------------------|----|------|------|-------|--------------------------|----|------|------|
| | | | | | | | | | |
| | | | | | | | | | |

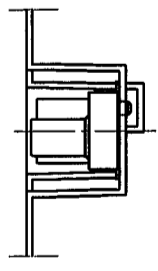
UNREELING DIRECTION
↑



REEL DIMENSION

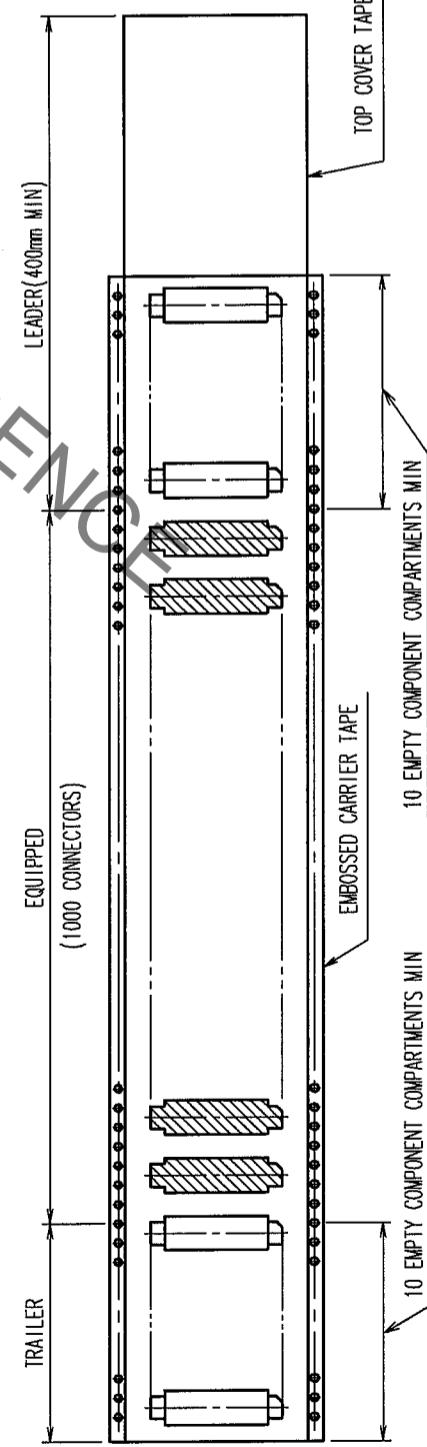


DETAIL OF TAPE FOR VACUUM PICKUP (5:1)



△ DIMENSION TABLE OF EMBOSSED CARRIER TAPE AND REEL.

| PART No. | CODE No. | 2 | 3 | A | B | C | D | E | F |
|-------------------|-----------------|-----|---|----|----|------|------|----|------|
| FX8C-60P-SV1(93) | CL578-0521-6-93 | 60 | X | 20 | 25 | 20.2 | 40.4 | 44 | 44.4 |
| FX8C-80P-SV1(93) | CL578-0523-1-93 | 80 | X | 26 | 31 | 20.2 | 40.4 | 44 | 44.4 |
| FX8C-100P-SV1(93) | CL578-0525-7-93 | 100 | - | 32 | 37 | 26.2 | 52.4 | 56 | 56.4 |
| FX8C-120P-SV1(93) | CL578-0526-0-93 | 120 | - | 38 | 43 | 26.2 | 52.4 | 56 | 56.4 |
| FX8C-140P-SV1(93) | CL578-0527-2-93 | 140 | - | 44 | 49 | 34.2 | 68.4 | 72 | 72.4 |



NOTE 1. 1 REEL : 1000 CONNECTORS
 2 NUMBER OF CONTACTS
 3 EXISTENCE
 X : PRODUCED, - : NO PRODUCED

| NO. | MATERIAL | FINISH, REMARKS | NO. | MATERIAL | FINISH, REMARKS |
|-----|-----------|-------------------------|-----|-------------|--------------------------|
| 2 | POLYESTER | (TOP COVER TAPE) | 4 | POLYIMIDE | (TAPE FOR VACUUM PICKUP) |
| 1 | PS | (EMBOSSED CARRIER TAPE) | 3 | (CONNECTOR) | (CONNECTOR) |

| CODE NO. (OLD) | CL | DRAWN | DESIGNED | CHECKED | APPROVED | RELEASED |
|----------------|----|-----------|-------------|----------|--------------|----------|
| | | S. SUZUKI | K. NAKAMURA | H. OKAWA | Y. YOSHIMURA | |
| | | 03.02.03 | 03.02.12 | 03.02.14 | 03.02.15 | |

| DRAWING NO. | PART NO. |
|----------------|-------------------|
| EDC3-151087-23 | FX8C-**-P-SV1(93) |

| SCALE | UNITS | CODE NO. |
|-------|-------|----------|
| FREE | mm | CL578 |

| | |
|-----|--|
| TO | |
| PCK | |

X-ON Electronics

Largest Supplier of Electrical and Electronic Components

Click to view similar products for [Board to Board & Mezzanine Connectors](#) category:

Click to view products by [Hirose](#) manufacturer:

Other Similar products are found below :

[589158040000018](#) [MDF7C-18P-2.54DSA\(55\)](#) [FCN-230C068-11](#) [FCN-268F012-G/BD](#) [FCN-268F036-G/BD](#) [FCN-268M012-G/0D](#) [FCN-268M024-G/1D](#) [FCN-723J004/1](#) [MIS-048-01-F-D-DP-K](#) [832-10-034-10-001000](#) [FX4C-80S-1.27DSA](#) [FCN-214Q030-G/0](#) [FCN-234P048-G/0](#) [FCN-235D050-G/C](#) [210-93-314-41-105000](#) [2-22603-0](#) [MDF7-40DP-2.54DSA\(55\)](#) [AXG720047](#) [MIT-114-03-F-D-K](#) [55323-1519](#) [DF33-2P-3.3DSA\(24\)](#) [YFT-20-05-H-03-SB-K](#) [503308-3040](#) [026-6203-PDB](#) [027-6203-PDB](#) [069159702701000](#) [10123981-102LF](#) [101A10019X](#) [55650-0588-C](#) [68682-310LF](#) [68684-306](#) [75140-7012](#) [87471-650](#) [YTW-30-07-H-Q-410-140](#) [FCN-268F024-G0D](#) [10124054-515LF](#) [68685-603](#) [8-1616154-3](#) [MIS-019-01-F-D](#) [FCN-268M024-G/3D](#) [FCN-268M036-G/BD](#) [20021832-06016C1LF](#) [KX15-20KLDL-E1000E](#) [AXE810124](#) [FCN-214J100-G/0](#) [FCN-230C068-E/S](#) [AXE812124](#) [AXE816124](#) [AXE720127](#) [354184](#)