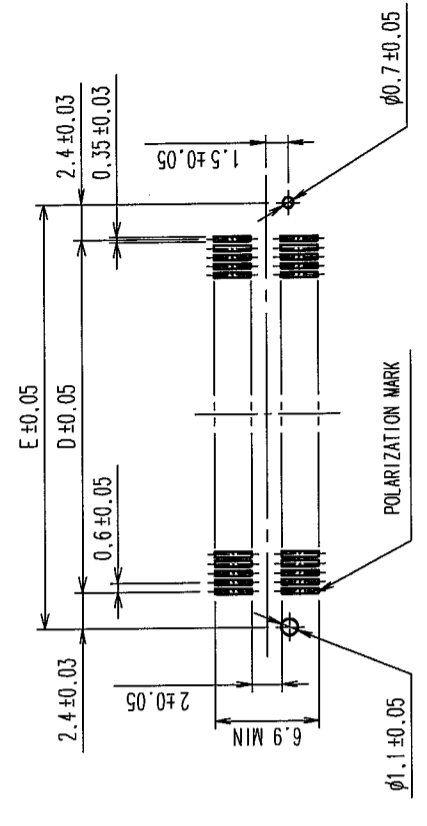


| COUNT | DESCRIPTION OF REVISIONS | BY  | CHKD | DATE     | COUNT | DESCRIPTION OF REVISIONS | BY | CHKD | DATE |
|-------|--------------------------|-----|------|----------|-------|--------------------------|----|------|------|
| 3     | RE-F-09671               | K.N | H.Y  | 04.04.08 |       |                          |    |      |      |
|       |                          |     |      |          |       |                          |    |      |      |
|       |                          |     |      |          |       |                          |    |      |      |

RECOMMENDED LAND PATTERN DIMENSION OF P.C.B. (MOUNTING SIDE)

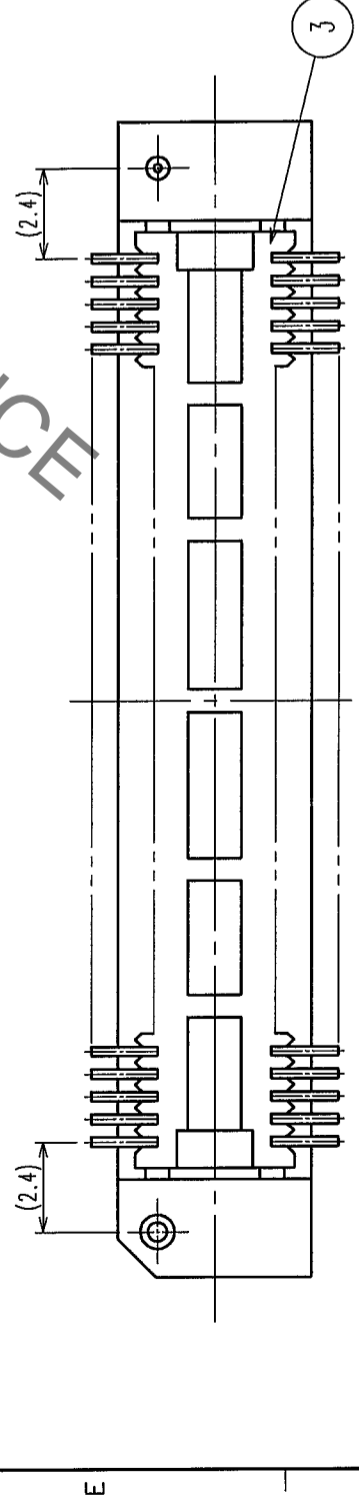
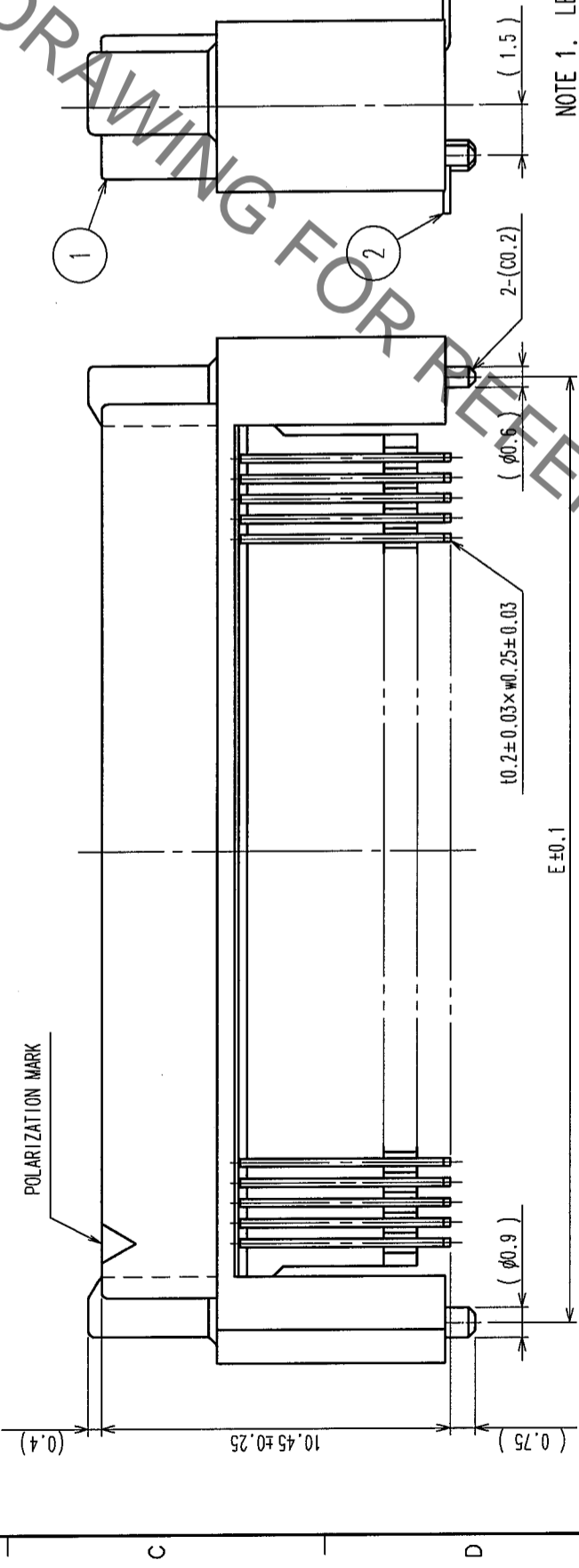
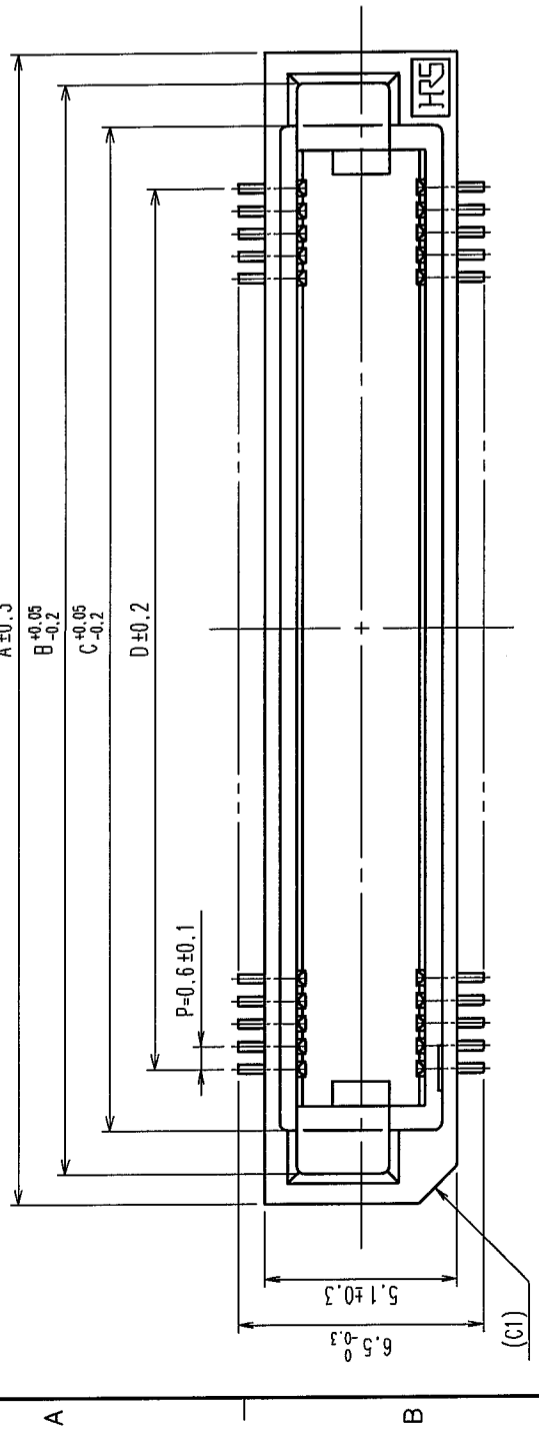


DIMENSION TABLE OF CONNECTOR AND P.C.B. LAND PATTERN.

| PART No.          | CODE No.        | 5   | 6 | A     | B     | C     | D     | E     |
|-------------------|-----------------|-----|---|-------|-------|-------|-------|-------|
| FX8C-60P-SV6(92)  | CL578-0601-3-92 | 60  | X | 24.60 | 23.00 | 20.70 | 17.40 | 22.20 |
| FX8C-80P-SV6(92)  | CL578-0603-9-92 | 80  | X | 30.60 | 29.00 | 26.70 | 23.40 | 28.20 |
| FX8C-100P-SV6(92) | CL578-0605-4-92 | 100 | - | 36.60 | 35.00 | 32.70 | 29.40 | 34.20 |
| FX8C-120P-SV6(92) | CL578-0606-7-92 | 120 | X | 42.60 | 41.00 | 38.70 | 35.40 | 40.20 |
| FX8C-140P-SV6(92) | CL578-0607-0-92 | 140 | - | 48.60 | 47.00 | 44.70 | 41.40 | 46.20 |

- NOTE 1. LEAD CO-PLANARITY SHALL BE 0.1mm MAX.  
 2. EMBOSSED CARRIER TAPE PACKAGING SHALL BE APPLIED FOR THIS PRODUCT.  
 SEE NEXT PAGE FOR DETAILS.  
 3. FOR MODIFICATION, ETC., PREVENTIVE HOLE FOR SINK MARK MAY BE ADDED ACCORDING TO CIRCUMSTANCES.  
 4. THE DIMENSIONS IN PARENTHESES ARE FOR REFERENCE.

5 NUMBER OF CONTACTS.  
 6 EXISTENCE  
 X: PRODUCED, -: NO PRODUCED



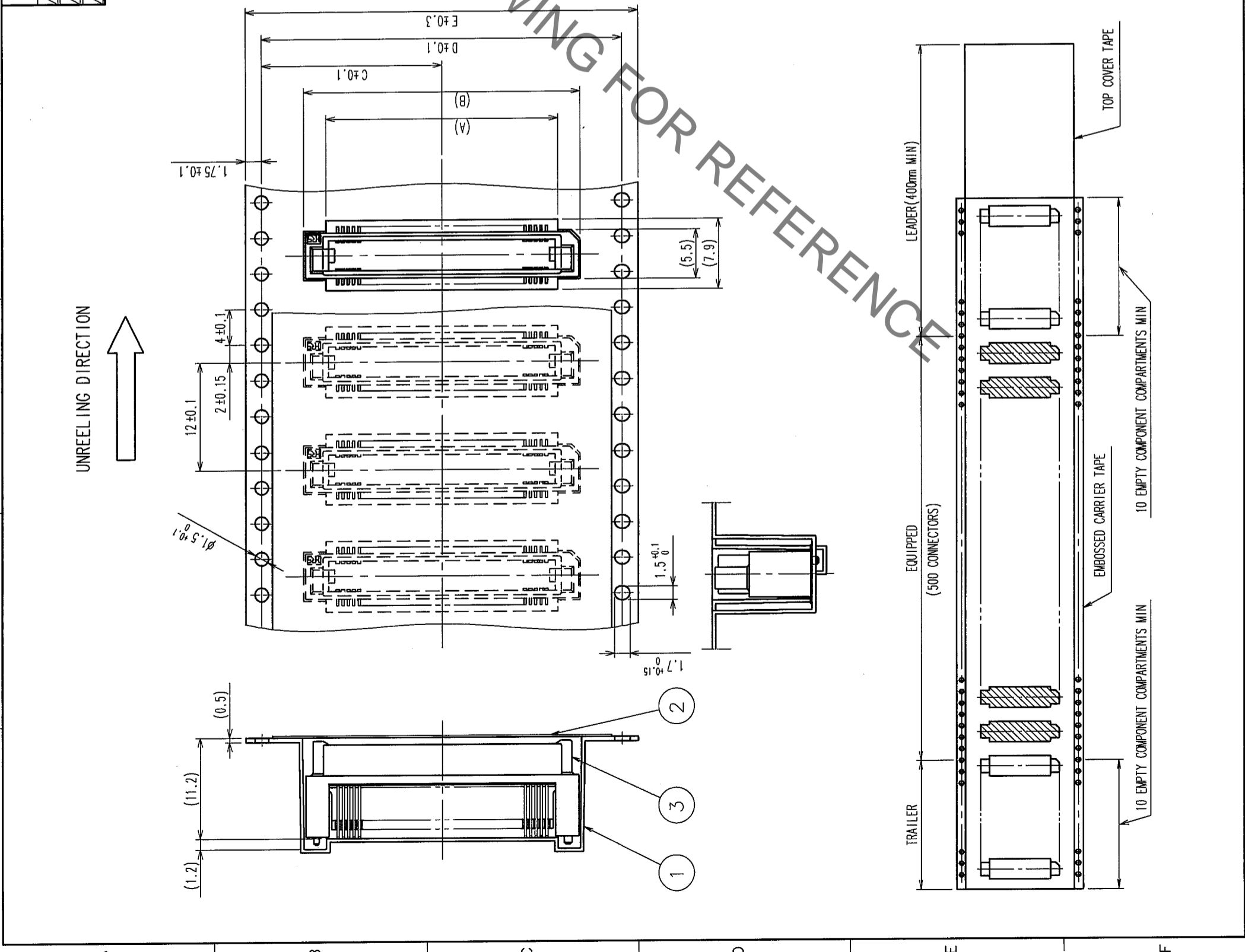
| NO.            | MATERIAL | FINISH, REMARKS       | NO.                            | MATERIAL        | CHECKED           | APPROVED | REMARKS |
|----------------|----------|-----------------------|--------------------------------|-----------------|-------------------|----------|---------|
| 1, 3           | PPS      | LIGHT BROWN (UL94V-0) | 2                              | PHOSPHOR BRONZE |                   |          |         |
| CODE NO. (OLD) |          | CL                    | CONTACT AREA: GOLD 0.1μm min   |                 |                   |          |         |
| CODE NO. (NEW) |          |                       | LEAD AREA: TIN-PLATING 1μm min |                 |                   |          |         |
|                |          |                       | UNDER PLATING: NICKEL 1μm min  |                 |                   |          |         |
| DRAWN          |          | S. SUZUKI             | DESIGNED                       |                 | K. NAKAMURA       | APPROVED |         |
| DATE           |          | 03.02.04              | DATE                           |                 | 03.02.14          | DATE     |         |
| SCALE          |          | FREE                  | PART NO.                       |                 | FX8C-**-P-SV6(92) |          |         |
| UNITS          |          | MM                    | CODE NO.                       |                 | CL578             |          |         |

|     |  |
|-----|--|
| TO  |  |
| PCK |  |

2 In case of consideration for using Automotive equipment / device which demand high reliability, kindly contact our sales window correspondents.

Aug.1.2021 Copyright 2021 HIROSE ELECTRIC CO., LTD. All Rights Reserved.

| COUNT | DESCRIPTION OF REVISIONS | BY | CHKD | DATE | COUNT | DESCRIPTION OF REVISIONS | BY | CHKD | DATE |
|-------|--------------------------|----|------|------|-------|--------------------------|----|------|------|
| △     |                          |    |      |      |       |                          |    |      |      |
| △     |                          |    |      |      |       |                          |    |      |      |
| △     |                          |    |      |      |       |                          |    |      |      |



**REEL DIMENSION**

△ DIMENSION TABLE OF EMBOSSED CARRIER TAPE AND REEL.

| PART No.          | CODE No.        | 2   | 3 | A  | B  | C    | D    | E  | F    |
|-------------------|-----------------|-----|---|----|----|------|------|----|------|
| FX8C-60P-SV6(92)  | CL578-0601-3-92 | 60  | X | 20 | 25 | 20.2 | 40.4 | 44 | 44.4 |
| FX8C-80P-SV6(92)  | CL578-0603-9-92 | 80  | X | 26 | 31 | 20.2 | 40.4 | 44 | 44.4 |
| FX8C-100P-SV6(92) | CL578-0605-4-92 | 100 | - | 32 | 37 | 26.2 | 52.4 | 56 | 56.4 |
| FX8C-120P-SV6(92) | CL578-0606-7-92 | 120 | X | 38 | 43 | 26.2 | 52.4 | 56 | 56.4 |
| FX8C-140P-SV6(92) | CL578-0607-0-92 | 140 | - | 44 | 49 | 34.2 | 68.4 | 72 | 72.4 |

NOTE 1 1 REL : 500 CONNECTORS  
 2 NUMBER OF CONTACTS  
 3 EXISTENCE  
 X : PRODUCED, - : NO PRODUCED

| 2 POLYESTER (TOP COVER TAPE) |          | 3 (CONNECTOR)   |          |
|------------------------------|----------|-----------------|----------|
| NO.                          | MATERIAL | FINISH, REMARKS | MATERIAL |
| 1                            | PS       |                 |          |

| CODE NO. (OLD) | CL | DRAWN     | DESIGNED    | CHECKED  | APPROVED     | RELEASED |
|----------------|----|-----------|-------------|----------|--------------|----------|
|                |    | S. SUZUKI | K. NAKAMURA | H. OKAWA | Y. YOSHIMURA |          |
|                |    | 03.02.04  | 03.02.14    | 03.02.14 | 03.02.15     |          |

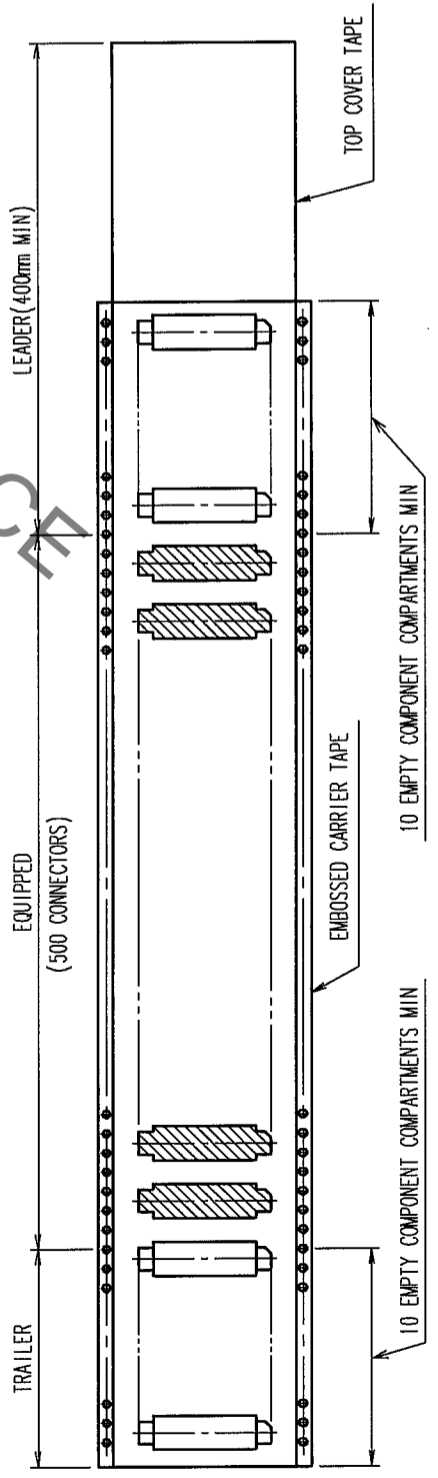
| DRAWING NO.    | PART NO.         |
|----------------|------------------|
| EDC3-151090-22 | FX8C-**P-SV6(92) |

| SCALE | UNITS |
|-------|-------|
| FREE  | mm    |

| HIROSE ELECTRIC CO., LTD | CL578 |
|--------------------------|-------|
|--------------------------|-------|



TO PCK

## X-ON Electronics

Largest Supplier of Electrical and Electronic Components

*Click to view similar products for [Board to Board & Mezzanine Connectors](#) category:*

*Click to view products by [Hirose](#) manufacturer:*

Other Similar products are found below :

[589158040000018](#) [FCN-230C068-11](#) [FCN-268F012-G/BD](#) [FCN-268F036-G/BD](#) [FCN-268M012-G/0D](#) [FCN-268M024-G/1D](#) [FCN-723J004/1](#) [MIS-048-01-F-D-DP-K](#) [832-10-034-10-001000](#) [FX4C-80S-1.27DSA](#) [FCN-214Q030-G/0](#) [FCN-234P048-G/0](#) [FCN-235D050-G/C](#) [2-22603-0](#) [AXG720047](#) [5031084030](#) [MIT-114-03-F-D-K](#) [55323-1519](#) [YFT-20-05-H-03-SB-K](#) [503308-3040](#) [026-6203-PDB](#) [027-6203-PDB](#) [069159702701000](#) [10123981-102LF](#) [101A10019X](#) [55650-0588-C](#) [68682-310LF](#) [68684-306](#) [75140-7012](#) [87471-650](#) [YTW-30-07-H-Q-410-140](#) [194261-1](#) [FCN-268F024-G0D](#) [10124054-515LF](#) [68685-603](#) [8-1616154-3](#) [MIS-019-01-F-D](#) [FCN-268M024-G/3D](#) [FCN-268M036-G/BD](#) [20021832-06016C1LF](#) [KX15-20KLDL-E1000E](#) [AXE810124](#) [FCN-214J100-G/0](#) [FCN-230C068-E/S](#) [AXE812124](#) [AXE816124](#) [AXE720127](#) [354184](#) [MIT-019-04-F-D-K](#) [P50-028-DDS-TG](#)