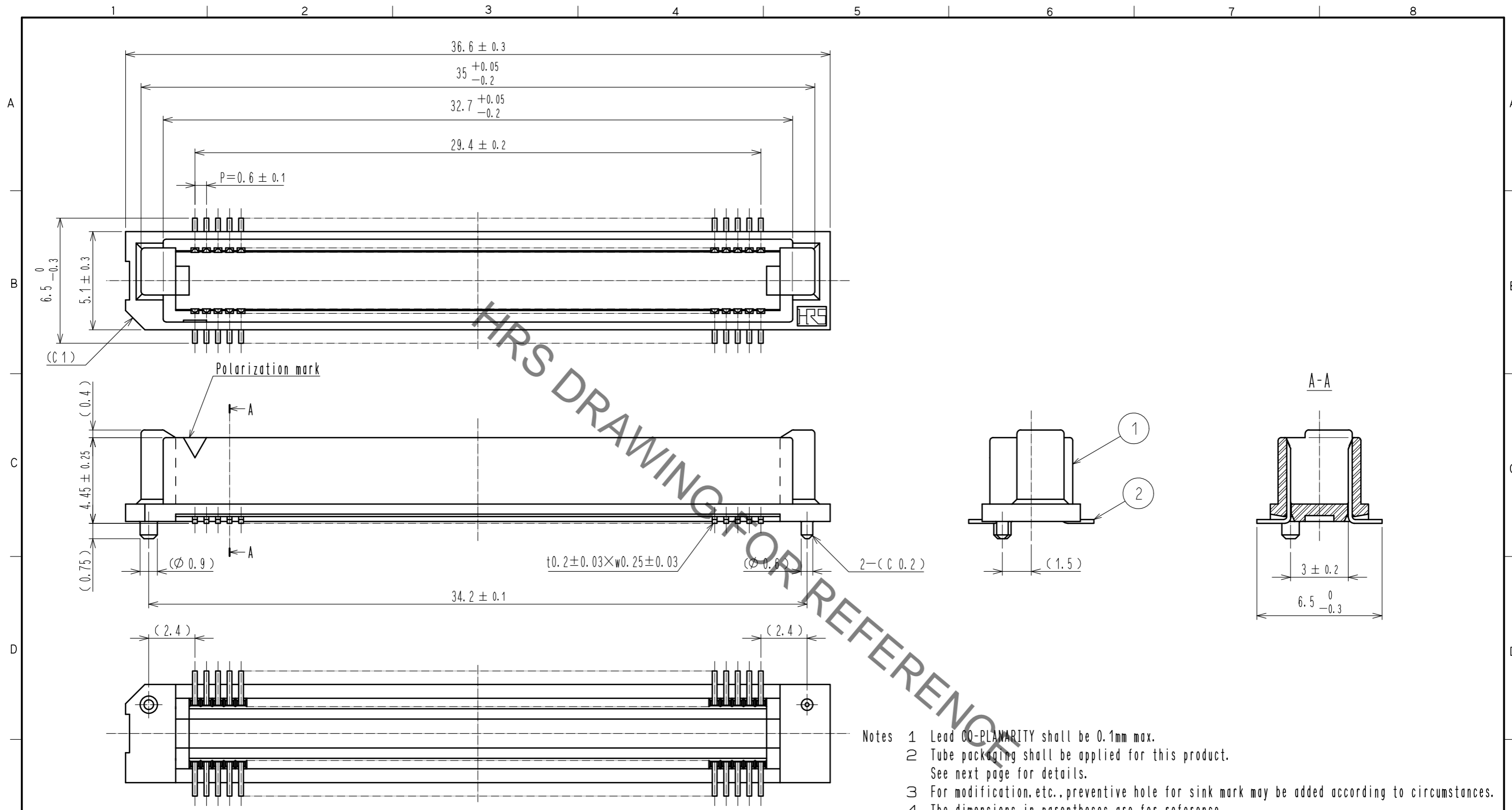
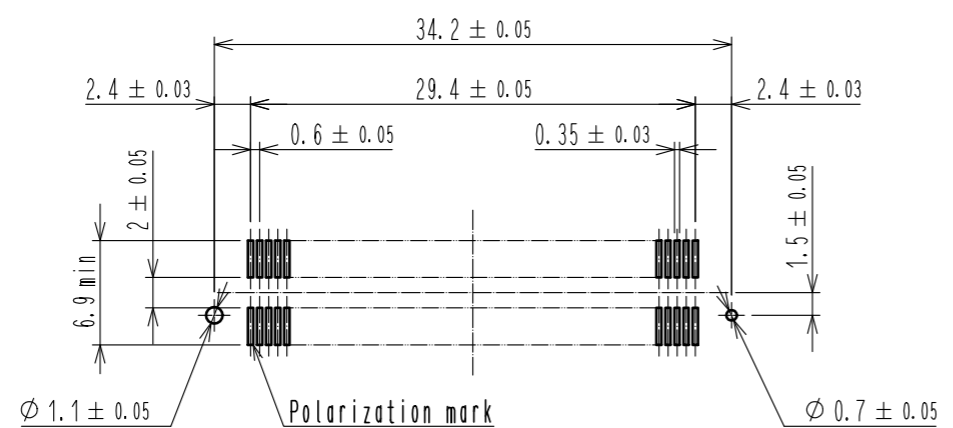


Sep.1.2021 Copyright 2021 HIROSE ELECTRIC CO., LTD. All Rights Reserved.  
In case of consideration for using Automotive equipment / device which demand high reliability, kindly contact our sales window correspondents.



- Notes
- 1 Lead CO-PLANARITY shall be 0.1mm max.
  - 2 Tube packaging shall be applied for this product. See next page for details.
  - 3 For modification, etc., preventive hole for sink mark may be added according to circumstances.
  - 4 The dimensions in parentheses are for reference.

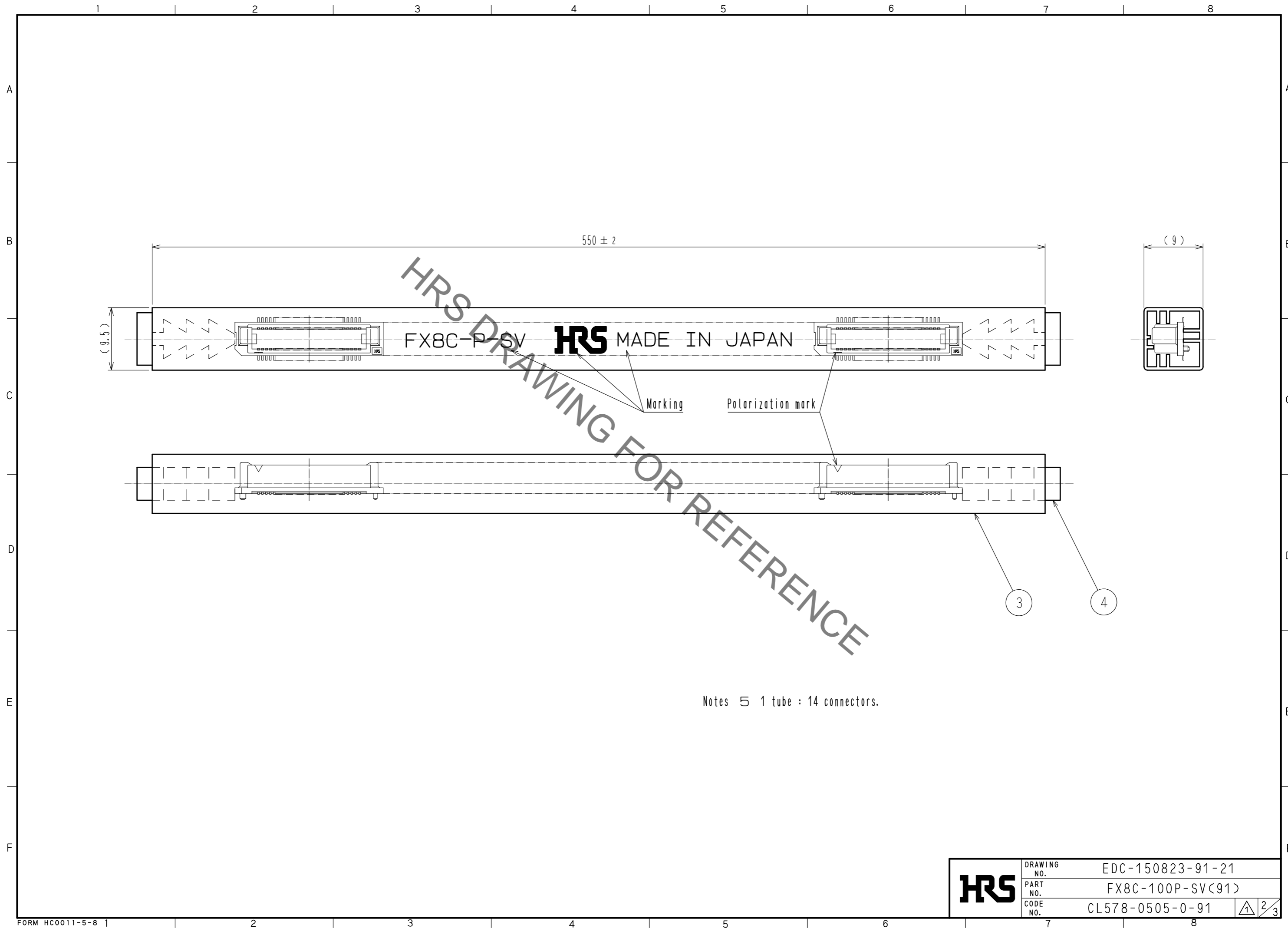
Recommended land pattern dimension of PCB (mounting side) (2:1)



2	PHOSPHOR BRONZE	Contact area : Gold 0.1µm min.	4	POLYVINYL CHLORIDE	Stopper
		Lead area : Gold plating flash			Tube
1	POLYPHENYLENE SULFIDE	Under plating : Nickel 0.5µm min.	3	POLYVINYL CHLORIDE	Light brown (UL94V-0)
NO.	MATERIAL	FINISH . REMARKS	NO.	MATERIAL	FINISH . REMARKS
UNITS mm		SCALE 5 : 1	COUNT 1	DESCRIPTION OF REVISIONS DIS-F-00006413	
<b>HRS</b> HIROSE ELECTRIC CO., LTD.		APPROVED : HS. OKAWA	20051105	DESIGNED	KS. NAKAJIMA
		CHECKED : HS. OZAWA	20051105	CHECKED	HT. YAMAGUCHI
		DESIGNED : KT. DOI	20051105	DATE	20200803
		DRAWN : AK. SUZUKAWA	20051019	DRAWING NO. EDC-150823-91-21	
				PART NO. FX8C-100P-SV(91)	
				CODE NO. CL578-0505-0-91	

Added precaution

Sep.1.2021 Copyright 2021 HIROSE ELECTRIC CO., LTD. All Rights Reserved.  
In case of consideration for using Automotive equipment / device which demand high reliability, kindly contact our sales window correspondents.



<b>HRS</b>	DRAWING NO.	EDC-150823-91-21
	PART NO.	FX8C-100P-SV(91)
	CODE NO.	CL578-0505-0-91
		2/3

In case of consideration for using Automotive equipment / device which demand high reliability, kindly contact our sales window correspondents.

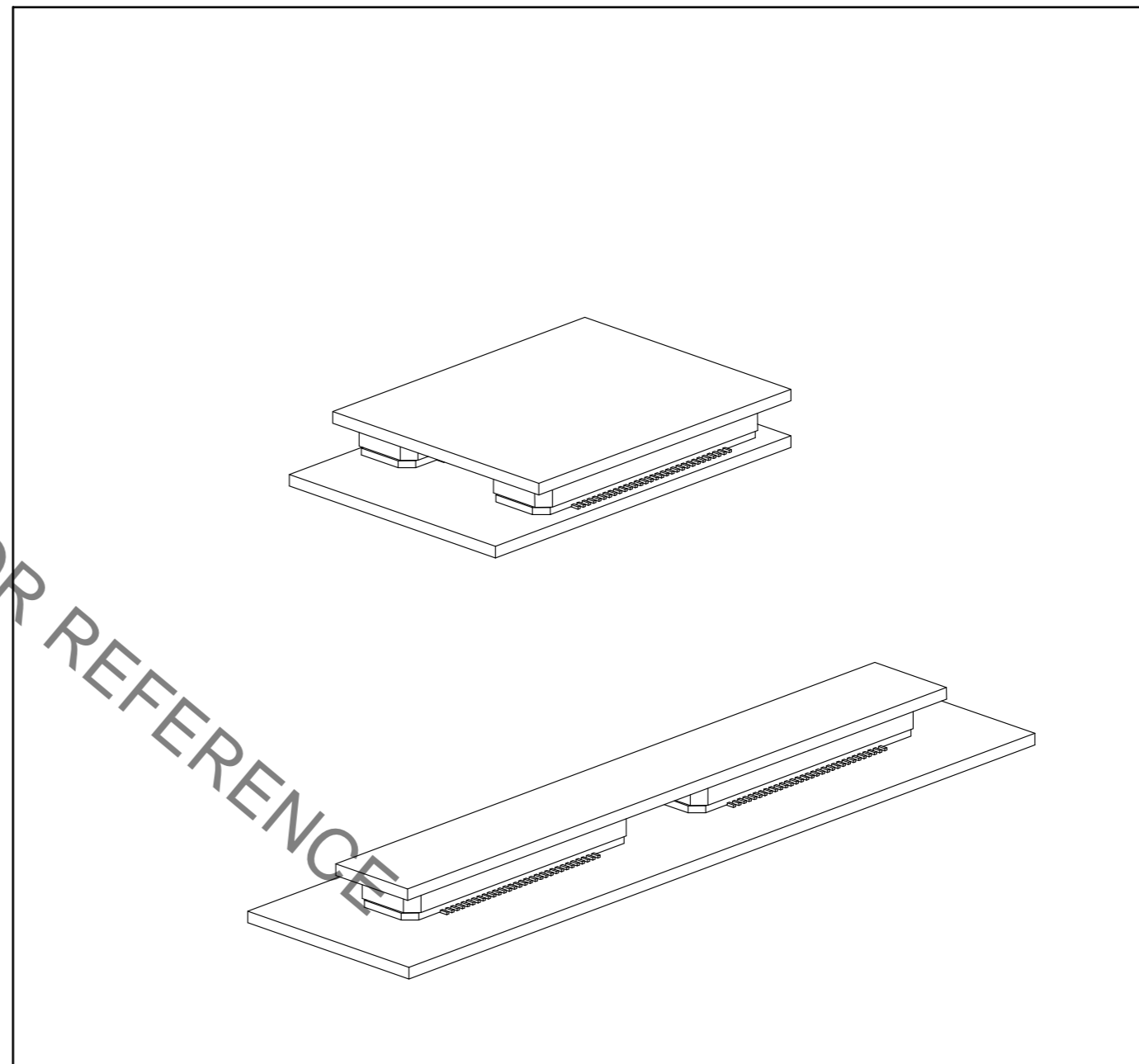
【Precaution】

When a board with multiple connectors mounted is mated, the connector may be damaged or deformed.  
Please divide one side of the board so only one connector is mated per board.

OK



NG



<b>HRS</b>	DRAWING NO.	EDC-150823-91-21
	PART NO.	FX8C-100P-SV(91)
	CODE NO.	CL578-0505-0-91
		3/3

## X-ON Electronics

Largest Supplier of Electrical and Electronic Components

*Click to view similar products for [Board to Board & Mezzanine Connectors](#) category:*

*Click to view products by [Hirose](#) manufacturer:*

Other Similar products are found below :

[589158040000018](#) [MDF7C-18P-2.54DSA\(55\)](#) [FCN-230C068-11](#) [FCN-268F012-G/BD](#) [FCN-268F036-G/BD](#) [FCN-268M012-G/0D](#) [FCN-268M024-G/1D](#) [FCN-723J004/1](#) [MIS-048-01-F-D-DP-K](#) [832-10-034-10-001000](#) [FX4C-80S-1.27DSA](#) [FCN-214Q030-G/0](#) [FCN-234P048-G/0](#) [FCN-235D050-G/C](#) [210-93-314-41-105000](#) [2-22603-0](#) [MDF7-40DP-2.54DSA\(55\)](#) [AXG720047](#) [MIT-114-03-F-D-K](#) [55323-1519](#) [DF33-2P-3.3DSA\(24\)](#) [YFT-20-05-H-03-SB-K](#) [503308-3040](#) [026-6203-PDB](#) [027-6203-PDB](#) [069159702701000](#) [10123981-102LF](#) [101A10019X](#) [55650-0588-C](#) [68682-310LF](#) [68684-306](#) [75140-7012](#) [87471-650](#) [YTW-30-07-H-Q-410-140](#) [FCN-268F024-G0D](#) [10124054-515LF](#) [68685-603](#) [8-1616154-3](#) [MIS-019-01-F-D](#) [FCN-268M024-G/3D](#) [FCN-268M036-G/BD](#) [20021832-06016C1LF](#) [KX15-20KLDL-E1000E](#) [AXE810124](#) [FCN-214J100-G/0](#) [FCN-230C068-E/S](#) [AXE812124](#) [AXE816124](#) [AXE720127](#) [354184](#)