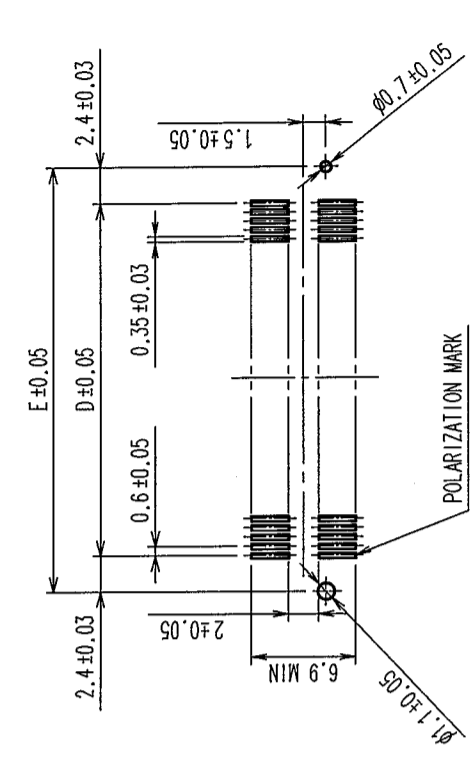


COUNT	DESCRIPTION OF REVISIONS	BY	CHKD	DATE	COUNT	DESCRIPTION OF REVISIONS	BY	CHKD	DATE
3	RE-F-09671	K.N	H.Y	04.04.08					
1	RE-F-10252	K.D	H.O	04.12.06					

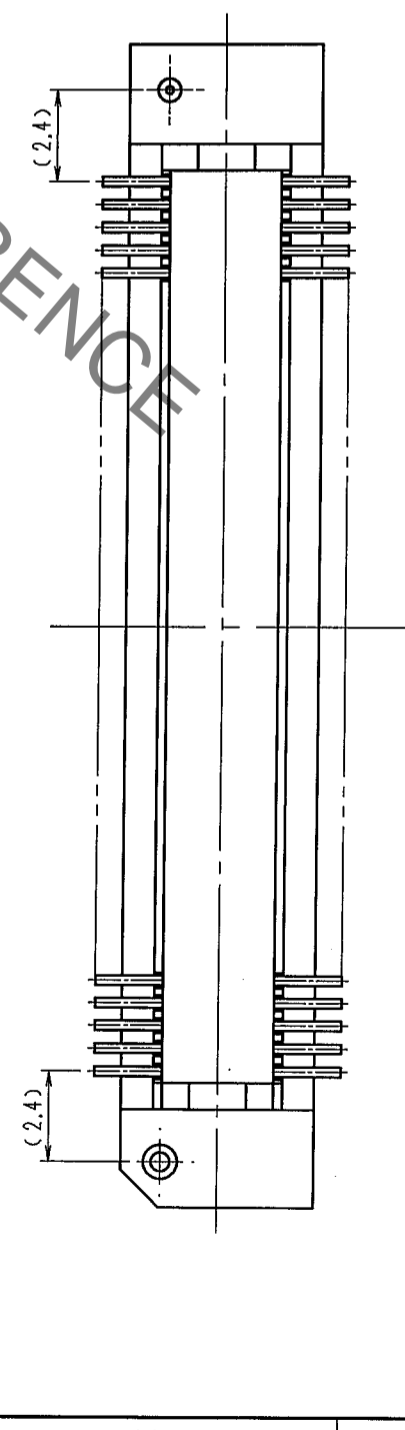
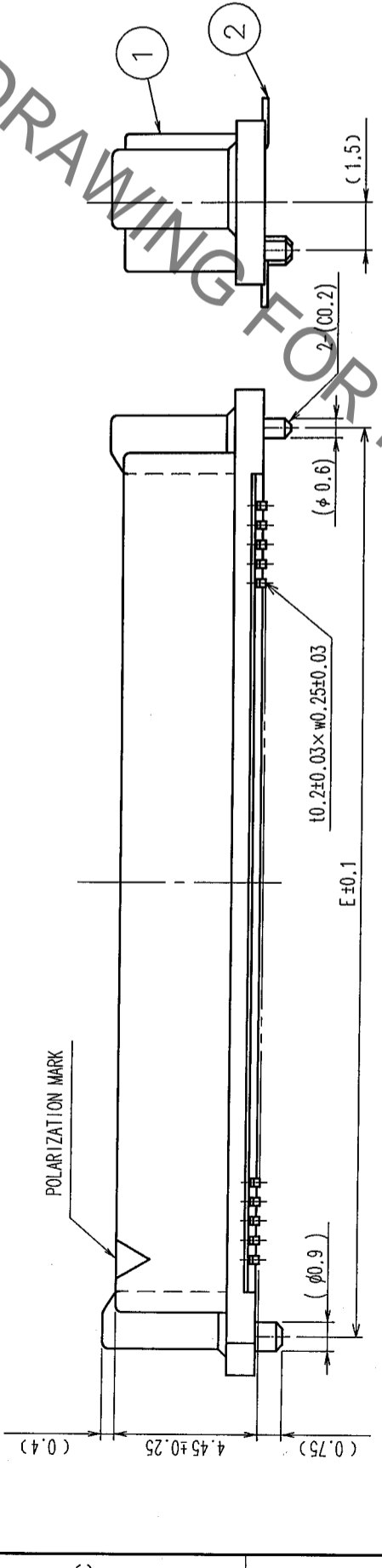
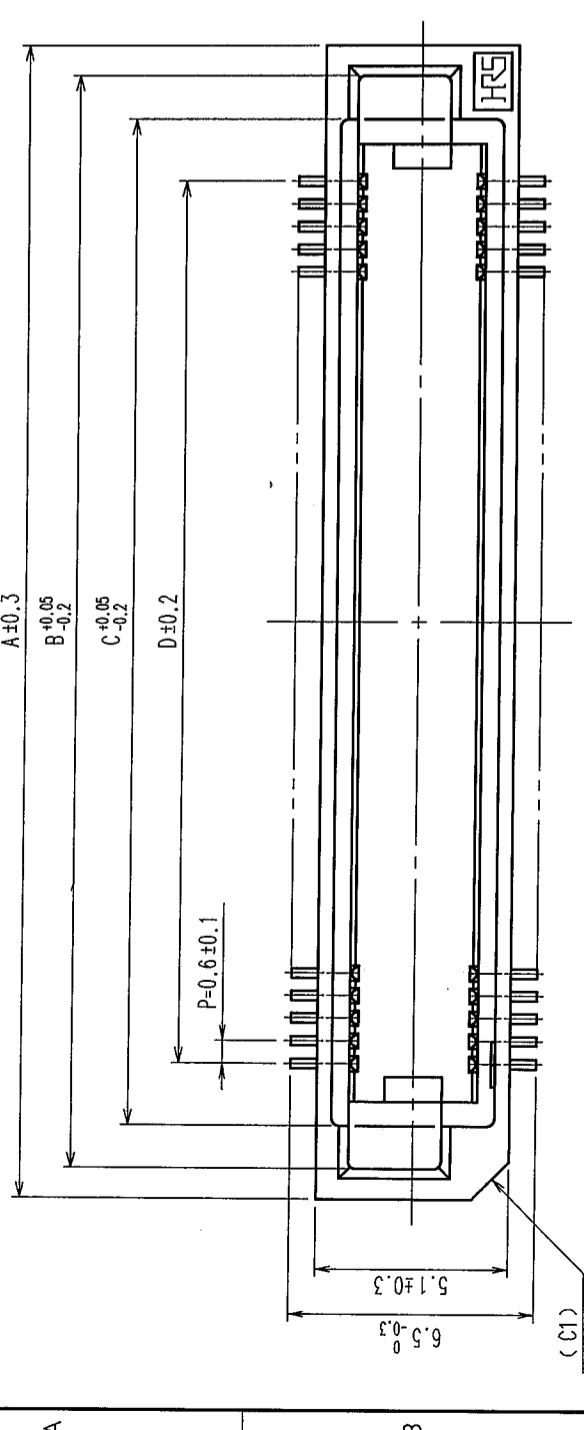
RECOMMENDED LAND PATTERN DIMENSION OF P.C.B. (MOUNTING SIDE)



DIMENSION TABLE OF CONNECTOR AND P.C.B. LAND PATTERN.

PART No.	CODE No.	5	A	B	C	D	E
FX8C-60P-SV(92)	CL578-0501-9-92	60	24.60	23.00	20.70	17.40	22.20
FX8C-80P-SV(92)	CL578-0503-4-92	80	30.60	29.00	26.70	23.40	28.20
FX8C-100P-SV(92)	CL578-0505-0-92	100	36.60	35.00	32.70	29.40	34.20
FX8C-120P-SV(92)	CL578-0506-2-92	120	42.60	41.00	38.70	35.40	40.20
FX8C-140P-SV(92)	CL578-0507-5-92	140	48.60	47.00	44.70	41.40	46.20

- NOTE 1. LEAD CO-PLANARITY SHALL BE 0.1mm MAX.
 2. EMBOSSED CARRIER TAPE PACKAGING SHALL BE APPLIED FOR THIS PRODUCT.
 SEE NEXT PAGE FOR DETAILS.
 3. FOR MODIFICATION, ETC., PREVENTIVE HOLE FOR SINK MARK MAY BE ADDED ACCORDING TO CIRCUMSTANCES.
 4. THE DIMENSIONS IN PARENTHESES ARE FOR REFERENCE.
 [5] NUMBER OF CONTACTS.



NO.	MATERIAL	FINISH, REMARKS	NO.	MATERIAL	DESIGNED	CHECKED	APPROVED	RELEASED
1	POLYPHENYLENE SULFIDE	LIGHT BROWN (UL94V-0)	2	PHOSPHOR BRONZE	K. NAKAMURA	H. OKAWA	Y. YOSHIMURA	
DRAWING NO.		PART NO.		FINISH, REMARKS		REMARKS		
EDC3-151020-22		FX8C-**-P-SV(92)		CONTACT AREA: GOLD 0.1μm min		LEAD AREA: GOLD FLASH		
SCALE		CODE NO.		UNDER PLATING: NICKEL 0.5μm min				
FREE		CL						
UNITS		mm						

TO	
PCK	

CL578

1/2

HIROSE ELECTRIC CO., LTD

SCALE FREE

UNITS mm

DRAWING NO. EDC3-151020-22

PART NO. FX8C-**-P-SV(92)

SCALE FREE

UNITS mm

DRAWING NO. EDC3-151020-22

PART NO. FX8C-**-P-SV(92)

SCALE FREE

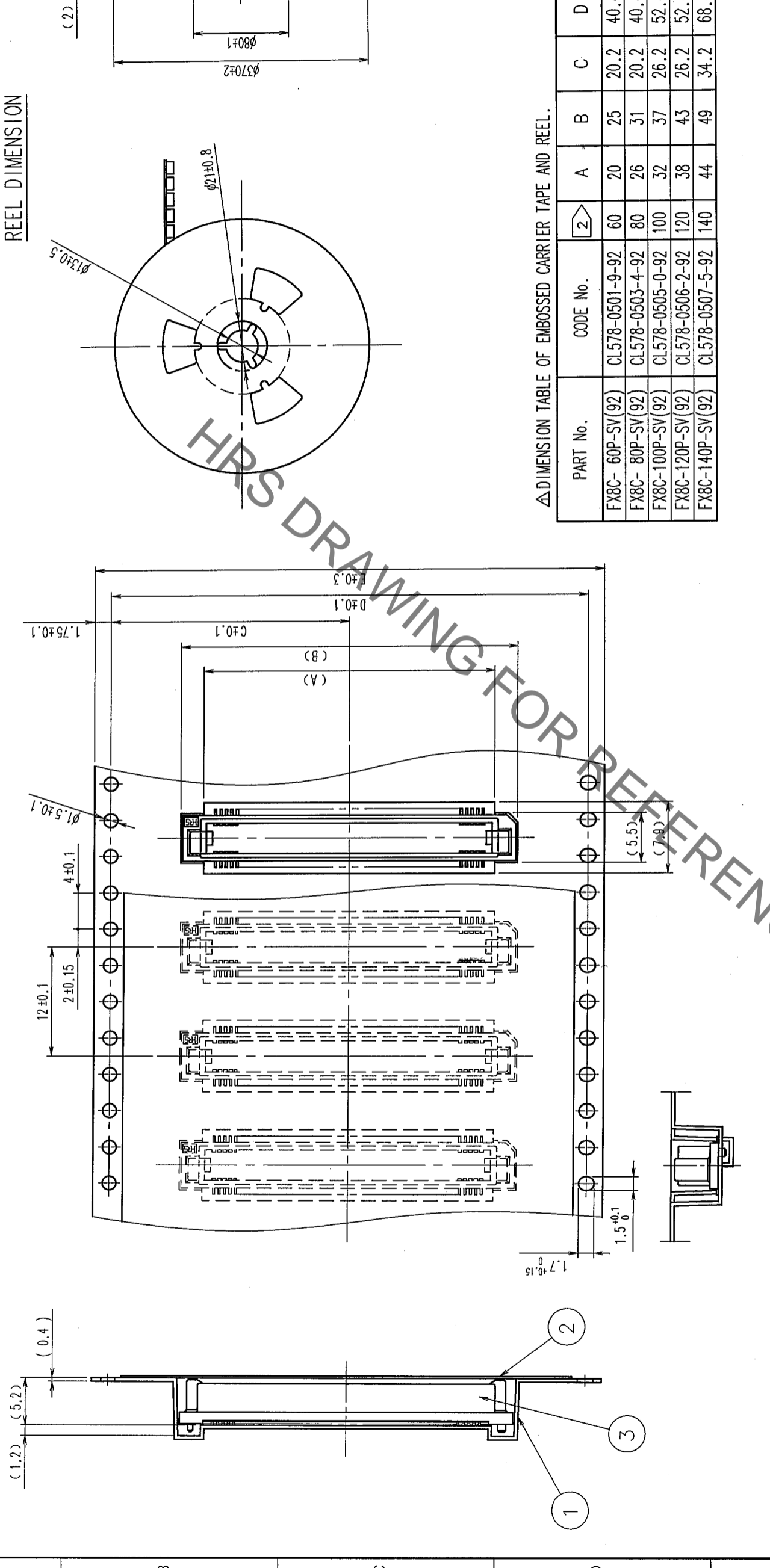
UNITS mm

DRAWING NO. EDC3-151020-22

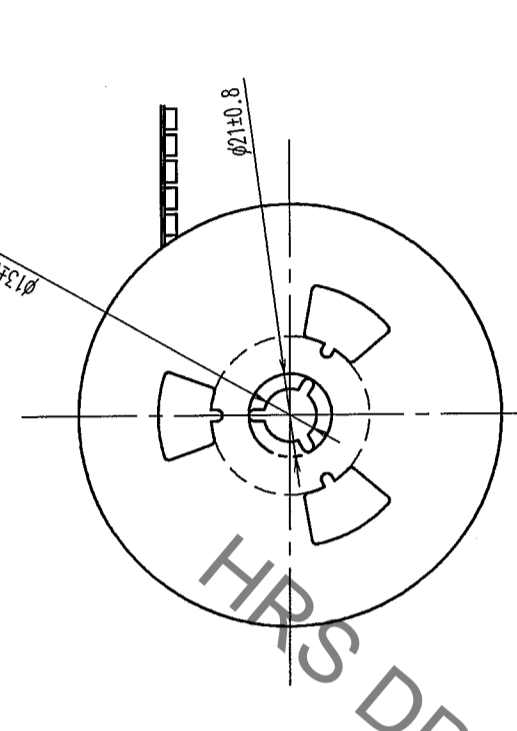
PART NO. FX8C-**-P-SV(92)

COUNT	DESCRIPTION OF REVISIONS	BY	CHKD	DATE	COUNT	DESCRIPTION OF REVISIONS	BY	CHKD	DATE

UNREELING DIRECTION



REEL DIMENSION



△DIMENSION TABLE OF EMBOSSED CARRIER TAPE AND REEL.

PART No.	CODE No.	A	B	C	D	E	F
FX8C-60P-SV(92)	CL578-0501-9-92	20	25	20.2	40.4	44	44.4
FX8C-80P-SV(92)	CL578-0503-4-92	26	31	20.2	40.4	44	44.4
FX8C-100P-SV(92)	CL578-0505-0-92	32	37	26.2	52.4	56	56.4
FX8C-120P-SV(92)	CL578-0506-2-92	38	43	26.2	52.4	56	56.4
FX8C-140P-SV(92)	CL578-0507-5-92	44	49	34.2	68.4	72	72.4

NOTE 1 1 REEL : 1000 CONNECTORS
 2 NUMBER OF CONTACTS
 3 THE DIMENSIONS IN PARENTHESES ARE FOR REFERENCE.

2 POLYESTER (TOP COVER TAPE)		3 (CONNECTOR)	
NO.	MATERIAL	FINISH, REMARKS	MATERIAL
1	POLYSTYRENE	(EMBOSSED CARRIER TAPE)	3
NO.	MATERIAL	FINISH, REMARKS <td>MATERIAL</td>	MATERIAL
CODE NO. (OLD)	CL		
CL			
DRAWN	S.SUZUKI	DESIGNED	K.NAKAMURA
	03.02.03	CHECKED	H.OKAWA
		APPROVED	Y.YOSHIMURA
		RELEASED	
			03.02.15

DRAWING NO. EDC3-151020-22
 PART NO. FX8C-**P-SV(92)

SCALE FREE
 UNITS mm

HIROSE ELECTRIC CO., LTD
 CODE NO. CL578

TO
 PCK

10 EMPTY COMPONENT COMPARTMENTS MIN
 10 EMPTY COMPONENT COMPARTMENTS MIN

TRAILER
 EQUIPPED (1000 CONNECTORS)
 LEADER (400mm MIN)
 EMBOSSED CARRIER TAPE
 TOP COVER TAPE

1 2 3 4 5 6 7 8

2

X-ON Electronics

Largest Supplier of Electrical and Electronic Components

Click to view similar products for [Board to Board & Mezzanine Connectors](#) category:

Click to view products by [Hirose](#) manufacturer:

Other Similar products are found below :

[589158040000018](#) [MDF7C-18P-2.54DSA\(55\)](#) [FCN-230C068-11](#) [FCN-268F012-G/BD](#) [FCN-268F036-G/BD](#) [FCN-268M012-G/0D](#) [FCN-268M024-G/1D](#) [FCN-723J004/1](#) [MIS-048-01-F-D-DP-K](#) [832-10-034-10-001000](#) [FX4C-80S-1.27DSA](#) [FCN-214Q030-G/0](#) [FCN-234P048-G/0](#) [FCN-235D050-G/C](#) [210-93-314-41-105000](#) [2-22603-0](#) [MDF7-40DP-2.54DSA\(55\)](#) [AXG720047](#) [MIT-114-03-F-D-K](#) [55323-1519](#) [DF33-2P-3.3DSA\(24\)](#) [YFT-20-05-H-03-SB-K](#) [503308-3040](#) [026-6203-PDB](#) [027-6203-PDB](#) [069159702701000](#) [10123981-102LF](#) [101A10019X](#) [55650-0588-C](#) [68682-310LF](#) [68684-306](#) [75140-7012](#) [87471-650](#) [YTW-30-07-H-Q-410-140](#) [FCN-268F024-G0D](#) [10124054-515LF](#) [68685-603](#) [8-1616154-3](#) [MIS-019-01-F-D](#) [FCN-268M024-G/3D](#) [FCN-268M036-G/BD](#) [20021832-06016C1LF](#) [KX15-20KLDL-E1000E](#) [AXE810124](#) [FCN-214J100-G/0](#) [FCN-230C068-E/S](#) [AXE812124](#) [AXE816124](#) [AXE720127](#) [354184](#)