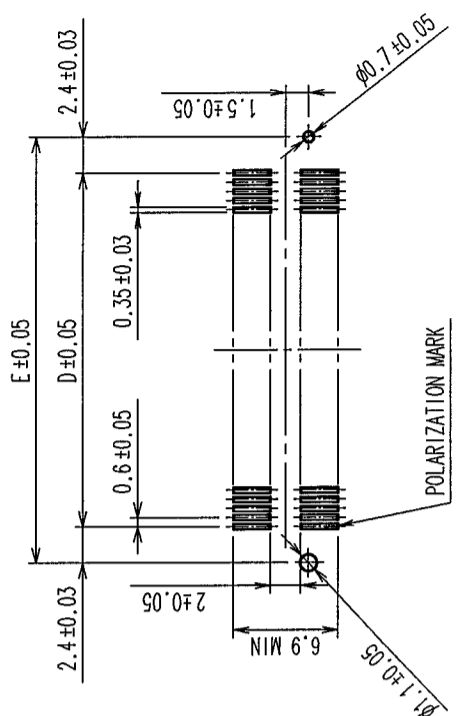


| COUNT | DESCRIPTION OF REVISIONS | BY  | CHKD | DATE     | COUNT | DESCRIPTION OF REVISIONS | BY | CHKD | DATE |
|-------|--------------------------|-----|------|----------|-------|--------------------------|----|------|------|
| 3     | RE-F-09671               | K.N | H.Y  | 04.04.08 |       |                          |    |      |      |
| 1     | RE-F-10252               | K.D | H.O  | 04.12.06 |       |                          |    |      |      |

RECOMMENDED LAND PATTERN DIMENSION OF P.C.B. (MOUNTING SIDE)



DIMENSION TABLE OF CONNECTOR AND P.C.B. LAND PATTERN.

| PART No.         | CODE No.        | 6   | 7 | A     | B     | C     | D     | E     |
|------------------|-----------------|-----|---|-------|-------|-------|-------|-------|
| FX8C-60P-SV(93)  | CL578-0501-9-93 | 60  | X | 24.60 | 23.00 | 20.70 | 17.40 | 22.20 |
| FX8C-80P-SV(93)  | CL578-0503-4-93 | 80  | X | 30.60 | 29.00 | 26.70 | 23.40 | 28.20 |
| FX8C-100P-SV(93) | CL578-0505-0-93 | 100 | X | 36.60 | 35.00 | 32.70 | 29.40 | 34.20 |
| FX8C-120P-SV(93) | CL578-0506-2-93 | 120 | - | 42.60 | 41.00 | 38.70 | 35.40 | 40.20 |
| FX8C-140P-SV(93) | CL578-0507-5-93 | 140 | - | 48.60 | 47.00 | 44.70 | 41.40 | 46.20 |

- NOTE 1. LEAD CO-PLANARITY SHALL BE 0.1mm MAX.  
 2. EMBOSSED CARRIER TAPE PACKAGING SHALL BE APPLIED TO THIS PRODUCT.  
 3. SEE NEXT PAGE FOR DETAILS.  
 4. THIS PRODUCT HAS TAPE FOR VACUUM PICKUP.  
 5. SEE NEXT PAGE FOR DETAIL OF STICKING POSITION, ETC.  
 6. FOR MODIFICATION, ETC, PREVENTIVE HOLE FOR SINK MARK MAY BE ADDED ACCORDING TO CIRCUMSTANCES.  
 7. THE DIMENSIONS IN PARENTHESES ARE FOR REFERENCE.

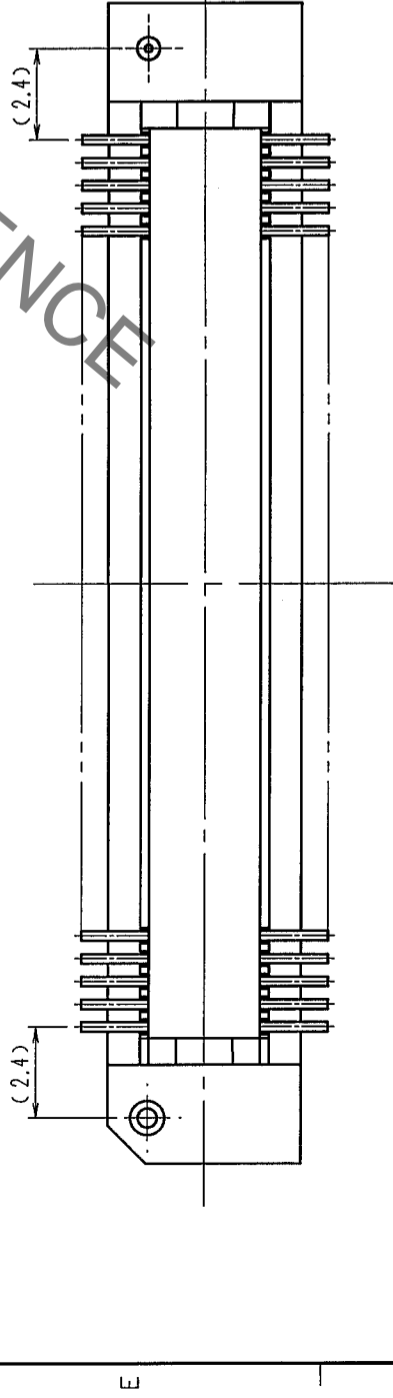
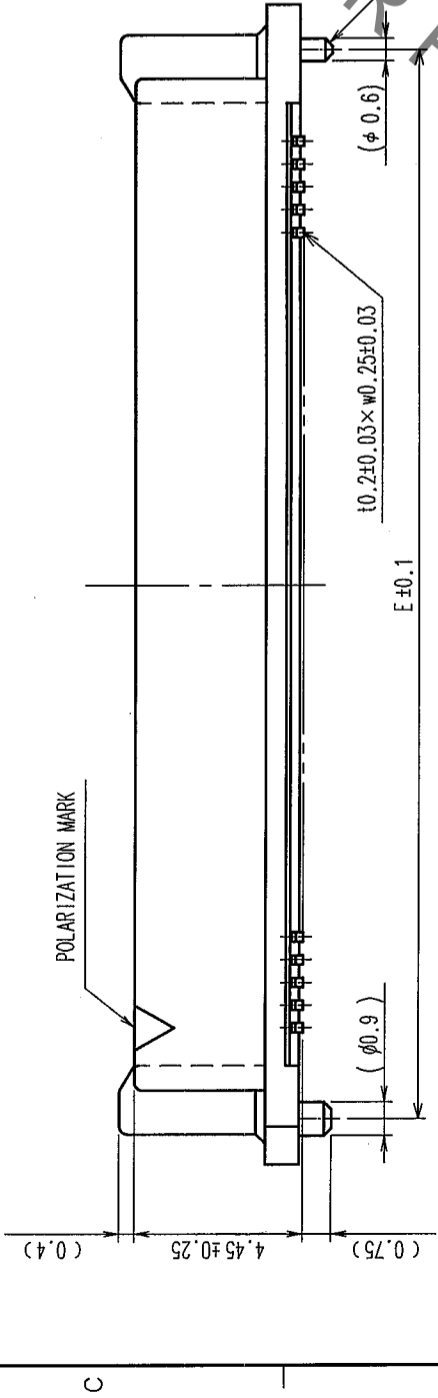
6 NUMBER OF CONTACTS.  
 7 EXISTENCE  
 X : PRODUCED, - : NO PRODUCED

AAA

|   |                       |                       |   |                 |  |
|---|-----------------------|-----------------------|---|-----------------|--|
| 1 | POLYPHENYLENE SULFIDE | LIGHT BROWN (UL94V-0) | 2 | PHOSPHOR BRONZE | CONTACT AREA: GOLD 0.1μm min<br>LEAD AREA: GOLD FLASH<br>UNDER PLATING: NICKEL 0.5μm min |
|---|-----------------------|-----------------------|---|-----------------|--|

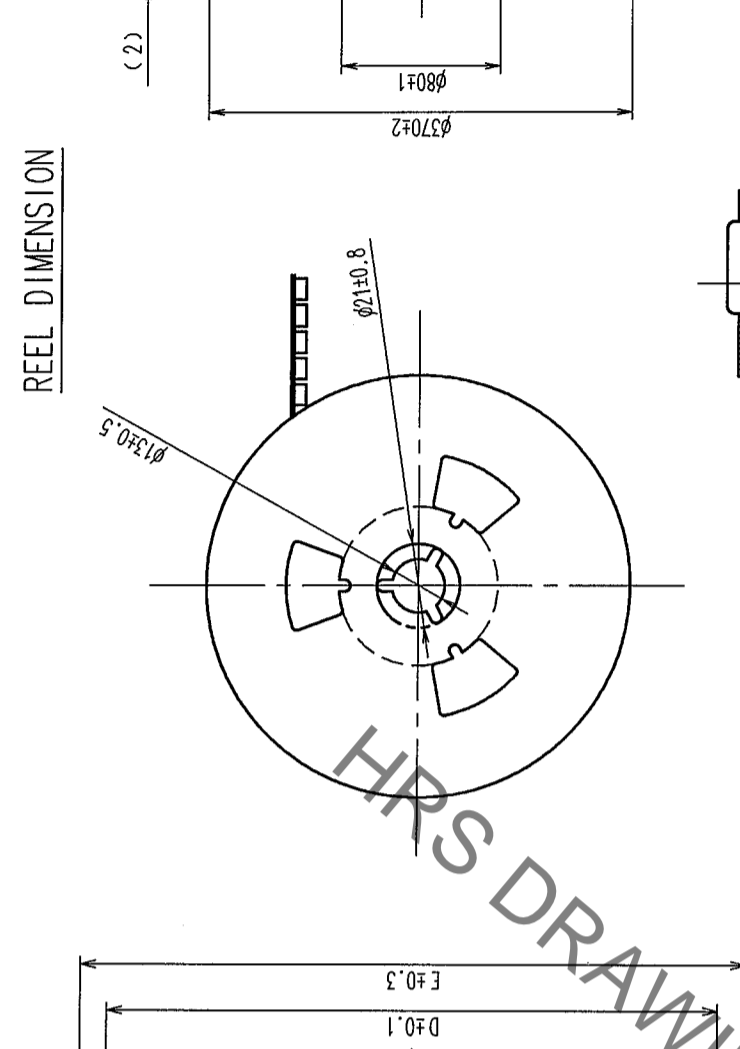
| NO. | MATERIAL | FINISH, REMARKS | NO. | MATERIAL | FINISH, REMARKS |
|-----|----------|-----------------|-----|----------|-----------------|
| CL  | CL       |                 |     |          |                 |
|     |          | S. SUZUKI       |     | H. OKAWA | Y. YOSHIMURA    |
|     |          | 03.02.03        |     | 03.02.12 | 03.02.15        |

|             |                |          |                  |
|-------------|----------------|----------|------------------|
| DRAWING NO. | EDC3-151020-23 | PART NO. | FX8C-**-P-SV(93) |
| SCALE       | FREE           | CODE NO. | CL578            |
| UNITS       | mm             |          |                  |



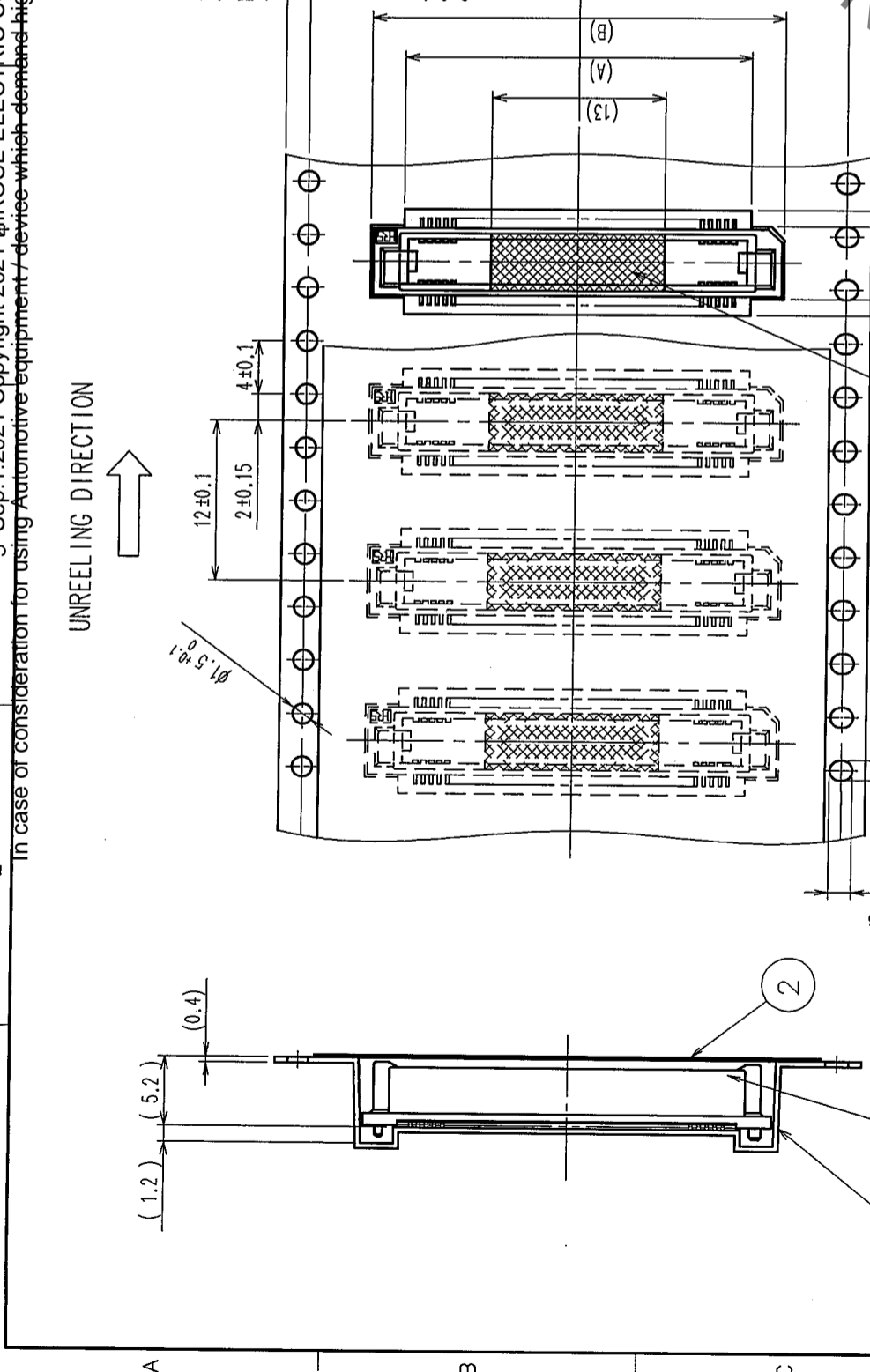
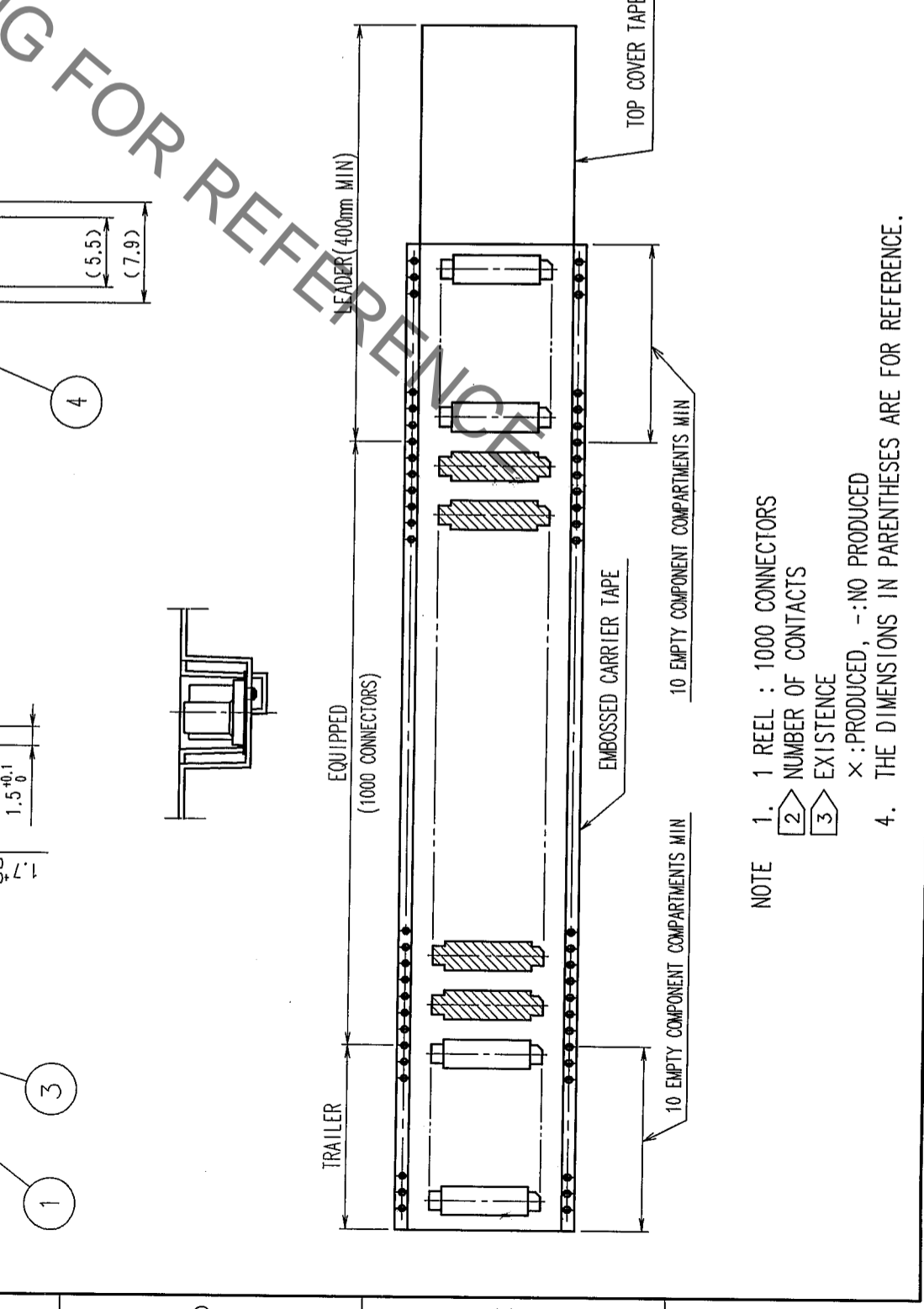
|     |  |
|-----|--|
| TO  |  |
| PCK |  |

| COUNT | DESCRIPTION OF REVISIONS | BY | CHKD | DATE | COUNT | DESCRIPTION OF REVISIONS | BY | CHKD | DATE |
|-------|--------------------------|----|------|------|-------|--------------------------|----|------|------|
|       |                          |    |      |      |       |                          |    |      |      |
|       |                          |    |      |      |       |                          |    |      |      |



△ DIMENSION TABLE OF EMBOSSED CARRIER TAPE AND REEL.

| PART No.         | CODE No.        | 2   | 3 | A  | B  | C    | D    | E  | F    |
|------------------|-----------------|-----|---|----|----|------|------|----|------|
| FX8C-60P-SV(93)  | CL578-0501-9-93 | 60  | X | 20 | 25 | 20.2 | 40.4 | 44 | 44.4 |
| FX8C-80P-SV(93)  | CL578-0503-4-93 | 80  | X | 26 | 31 | 20.2 | 40.4 | 44 | 44.4 |
| FX8C-100P-SV(93) | CL578-0505-0-93 | 100 | X | 32 | 37 | 26.2 | 52.4 | 56 | 56.4 |
| FX8C-120P-SV(93) | CL578-0506-2-93 | 120 | - | 38 | 43 | 26.2 | 52.4 | 56 | 56.4 |
| FX8C-140P-SV(93) | CL578-0507-5-93 | 140 | - | 44 | 49 | 34.2 | 68.4 | 72 | 72.4 |



| NO. | MATERIAL    | FINISH, REMARKS         | NO. | MATERIAL  | FINISH, REMARKS          |
|-----|-------------|-------------------------|-----|-----------|--------------------------|
| 2   | POLYESTER   | (TOP COVER TAPE)        | 4   | POLYIMIDE | (TAPE FOR VACUUM PICKUP) |
| 1   | POLYSTYRENE | (EMBOSSED CARRIER TAPE) | 3   |           | (CONNECTOR)              |

| CODE NO. (OLD) | CL | DRAWN     | DESIGNED    | CHECKED  | APPROVED     | RELEASED |
|----------------|----|-----------|-------------|----------|--------------|----------|
|                |    | S. SUZUKI | K. NAKAMURA | H. OKAWA | Y. YOSHIMURA |          |
|                |    | 03.02.03  | 03.02.12    | 03.02.14 | 03.02.15     |          |

NOTE  
 1. 1 REEL : 1000 CONNECTORS  
 2. NUMBER OF CONTACTS  
 3. EXISTENCE  
 X : PRODUCED, - : NO PRODUCED  
 4. THE DIMENSIONS IN PARENTHESES ARE FOR REFERENCE.

## X-ON Electronics

Largest Supplier of Electrical and Electronic Components

*Click to view similar products for [Board to Board & Mezzanine Connectors](#) category:*

*Click to view products by [Hirose](#) manufacturer:*

Other Similar products are found below :

[589158040000018](#) [MDF7C-18P-2.54DSA\(55\)](#) [FCN-230C068-11](#) [FCN-268F012-G/BD](#) [FCN-268F036-G/BD](#) [FCN-268M012-G/0D](#) [FCN-268M024-G/1D](#) [FCN-723J004/1](#) [MIS-048-01-F-D-DP-K](#) [832-10-034-10-001000](#) [FX4C-80S-1.27DSA](#) [FCN-214Q030-G/0](#) [FCN-234P048-G/0](#) [FCN-235D050-G/C](#) [210-93-314-41-105000](#) [2-22603-0](#) [MDF7-40DP-2.54DSA\(55\)](#) [AXG720047](#) [MIT-114-03-F-D-K](#) [55323-1519](#) [DF33-2P-3.3DSA\(24\)](#) [YFT-20-05-H-03-SB-K](#) [503308-3040](#) [026-6203-PDB](#) [027-6203-PDB](#) [069159702701000](#) [10123981-102LF](#) [101A10019X](#) [55650-0588-C](#) [68682-310LF](#) [68684-306](#) [75140-7012](#) [87471-650](#) [YTW-30-07-H-Q-410-140](#) [FCN-268F024-G0D](#) [10124054-515LF](#) [68685-603](#) [8-1616154-3](#) [MIS-019-01-F-D](#) [FCN-268M024-G/3D](#) [FCN-268M036-G/BD](#) [20021832-06016C1LF](#) [KX15-20KLDL-E1000E](#) [AXE810124](#) [FCN-214J100-G/0](#) [FCN-230C068-E/S](#) [AXE812124](#) [AXE816124](#) [AXE720127](#) [354184](#)