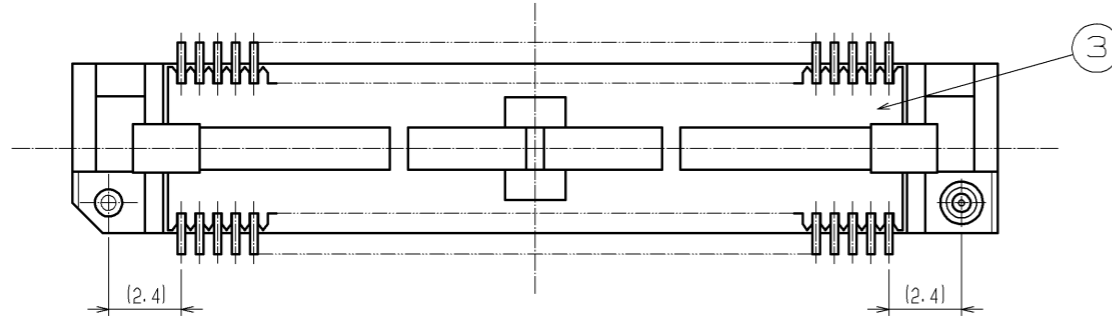
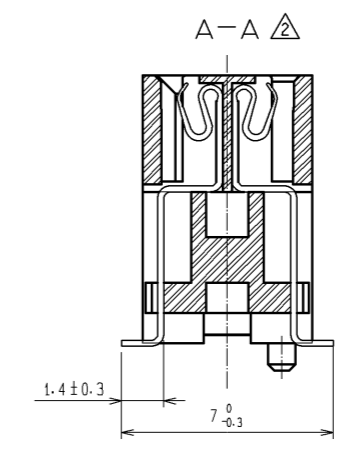
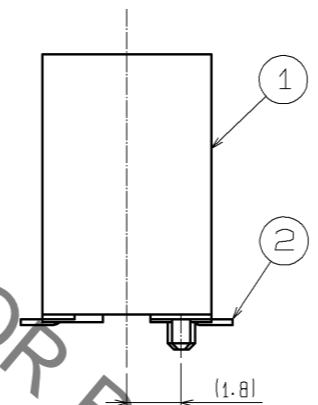
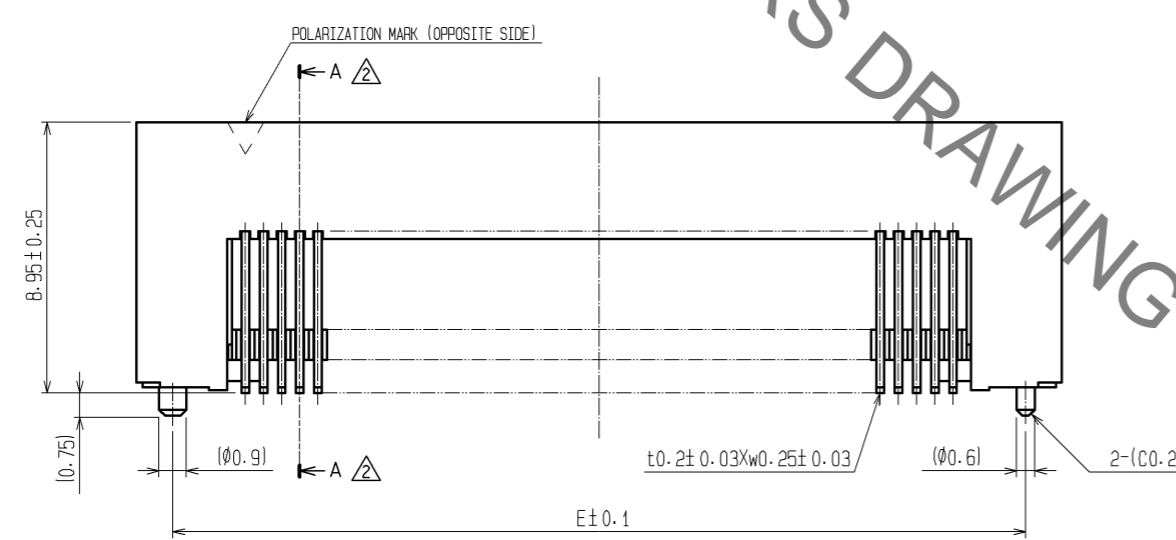
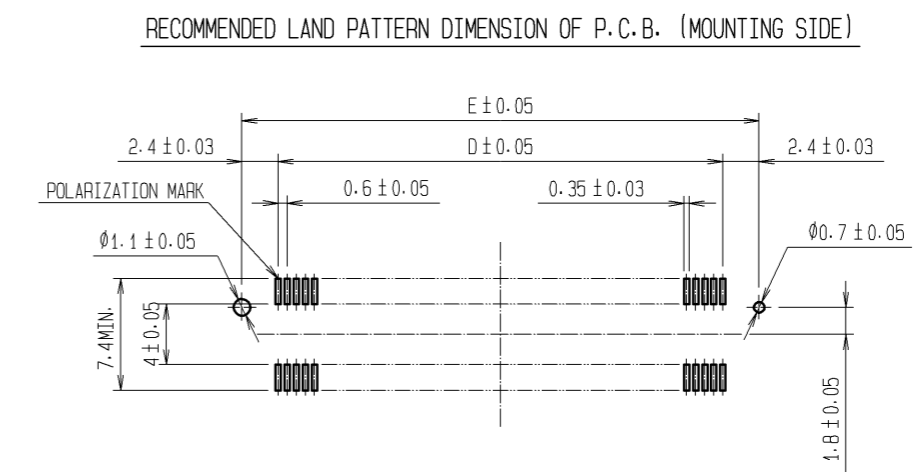
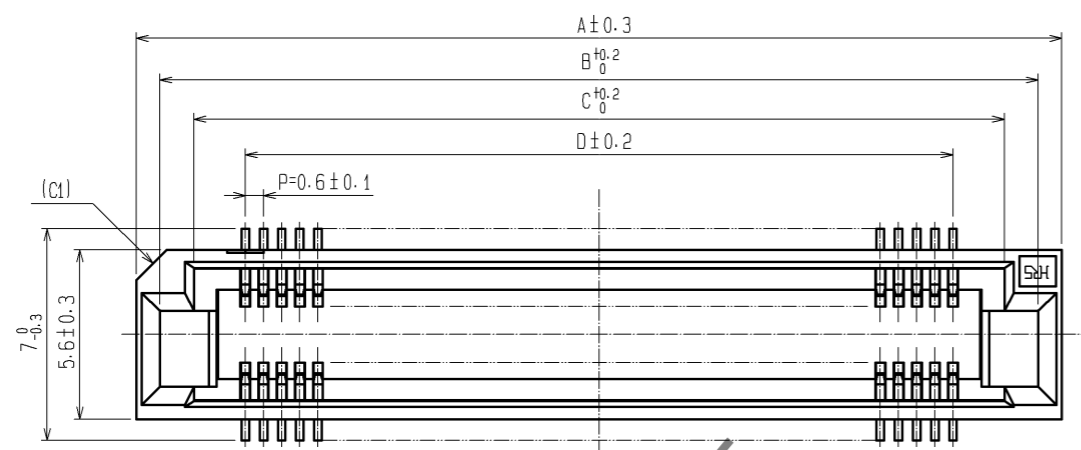


Sep.1.2021 Copyright 2021 HIROSE ELECTRIC CO., LTD. All Rights Reserved.  
In case of consideration for using Automotive equipment / device which demand high reliability, kindly contact our sales window correspondents.



- NOTE 1. LEAD CO-PLANARITY SHALL BE 0.1mm MAX.  
 2. EMBOSSED CARRIER TAPE PACKAGING SHALL BE APPLIED TO THIS PRODUCT. SEE NEXT PAGE FOR DETAILS.  
 3. THIS PRODUCT HAS TAPE FOR VACUUM PICKUP. SEE NEXT PAGE FOR DETAIL OF STICKING POSITION, ETC.  
 4. FOR MODIFICATION, ETC. PREVENTIVE HOLE FOR SINK MARK MAY BE ADDED ACCORDING TO CIRCUMSTANCES.  
 5. THE DIMENSIONS IN PARENTHESES ARE FOR REFERENCE.  
 6 NUMBER OF CONTACTS.  
 7 EXISTENCE  
 X: PRODUCED, -: NO PRODUCED

DIMENSION TABLE OF CONNECTOR AND P.C.B. LAND PATTERN.

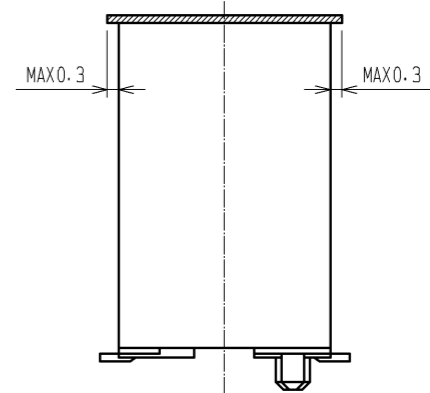
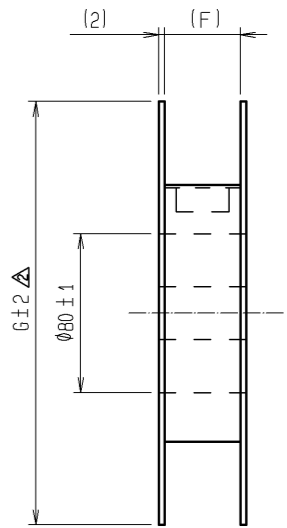
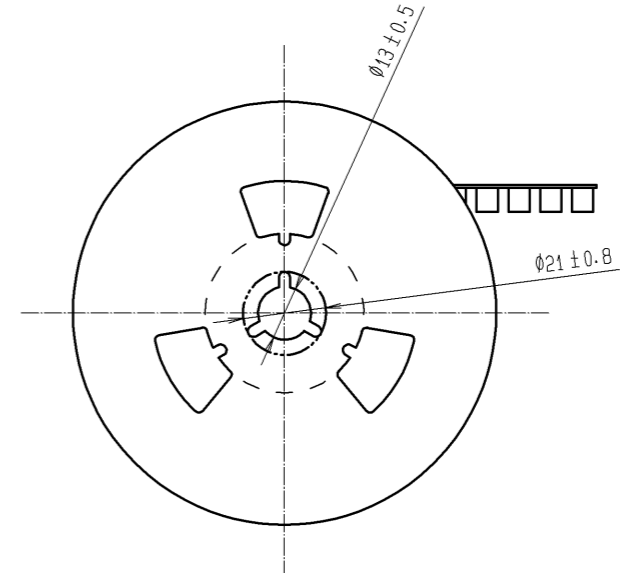
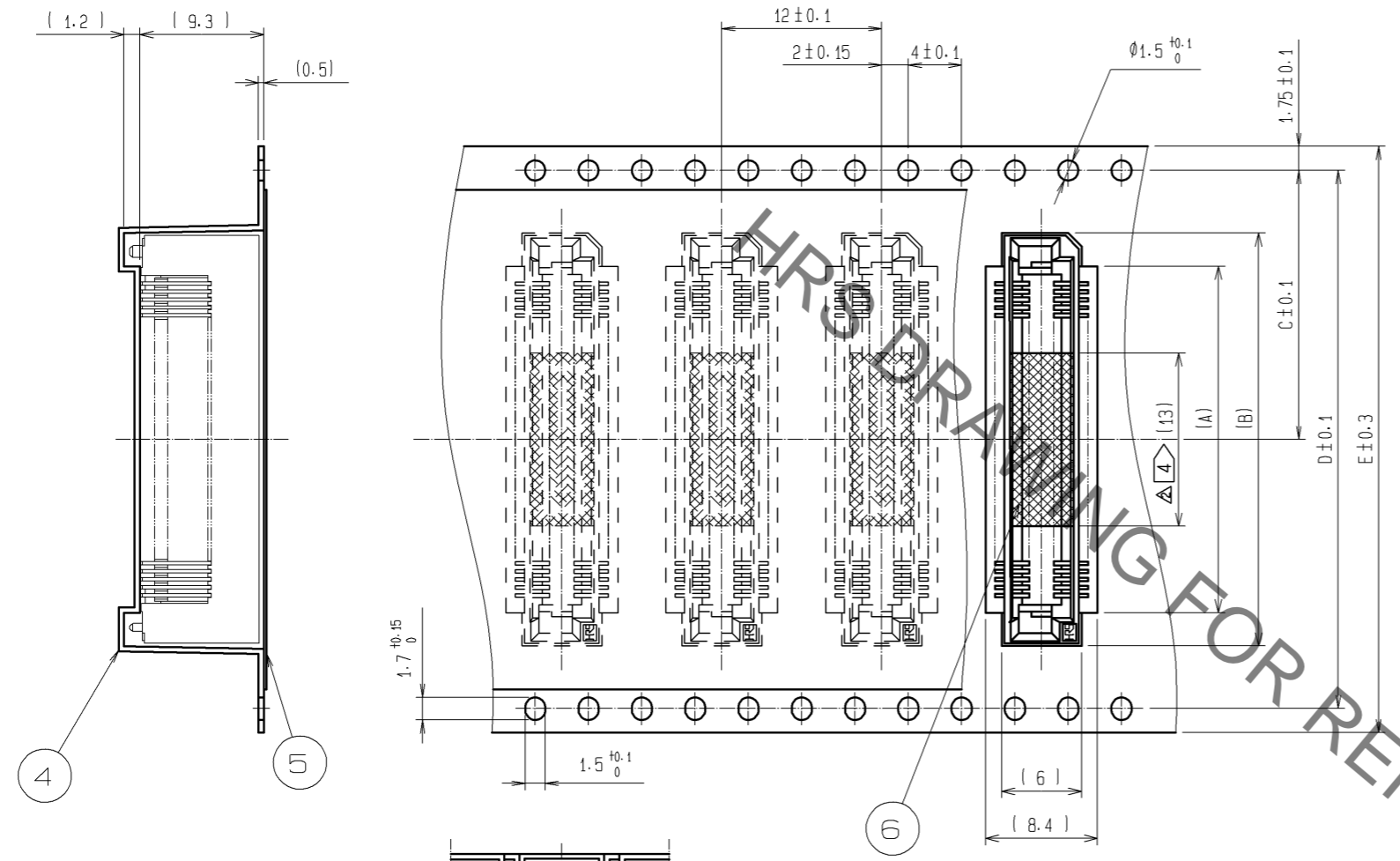
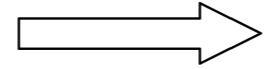
PART No.	CODE No.	6	7	A	B	C	D	E
FX8C-60S-SV5(93)	CL578-0821-0-93	60	X	24.60	23.05	20.80	17.40	22.20
FX8C-80S-SV5(93)	CL578-0823-5-93	80	X	30.60	29.05	26.80	23.40	28.20
FX8C-100S-SV5(93)	CL578-0825-0-93	100	X	36.60	35.05	32.80	29.40	34.20
FX8C-120S-SV5(93)	CL578-0826-3-93	120	-	42.60	41.05	38.80	35.40	40.20
FX8C-140S-SV5(93)	CL578-0827-6-93	140	X	48.60	47.05	44.80	41.40	46.20

2	PHOSPHOR BRONZE	CONTACT AREA: GOLD 0.1µm min.	6	POLYIMIDE	(TAPE FOR VACUUM PICKUP)	
		LEAD AREA: TIN-PLATING 1µm min.		5	POLYESTER	(TOP COVER TAPE)
		UNDER PLATING: NICKEL 1µm min.		4	PS	(EMBOSSED CARRIER TAPE)
1, 3	PPS	LIGHT BROWN (UL94V-0)				
NO.	MATERIAL	FINISH, REMARKS	NO.	MATERIAL	FINISH, REMARKS	
UNITS mm		SCALE FREE	COUNT 8	DESCRIPTION OF REVISIONS DIS-F-002261		
DESIGNED TS. MIYAKI		CHECKED HS. OZAWA		DATE 07.08.04		
APPROVED: YK. YOSHIMURA 03.02.19		DRAWING NO. EDC3-151023-23				
CHECED: HS. OKAWA 03.02.18		PART NO. FX8C-*S-SV5(93)				
DESIGNED: KY. NAKAMURA 03.02.17		CODE NO. CL578				
DRAWN: SK. SUZUKI 03.02.07						

# DRAWING FOR PACKING ( FREE )

## REEL DIMENSION

UNREELING DIRECTION

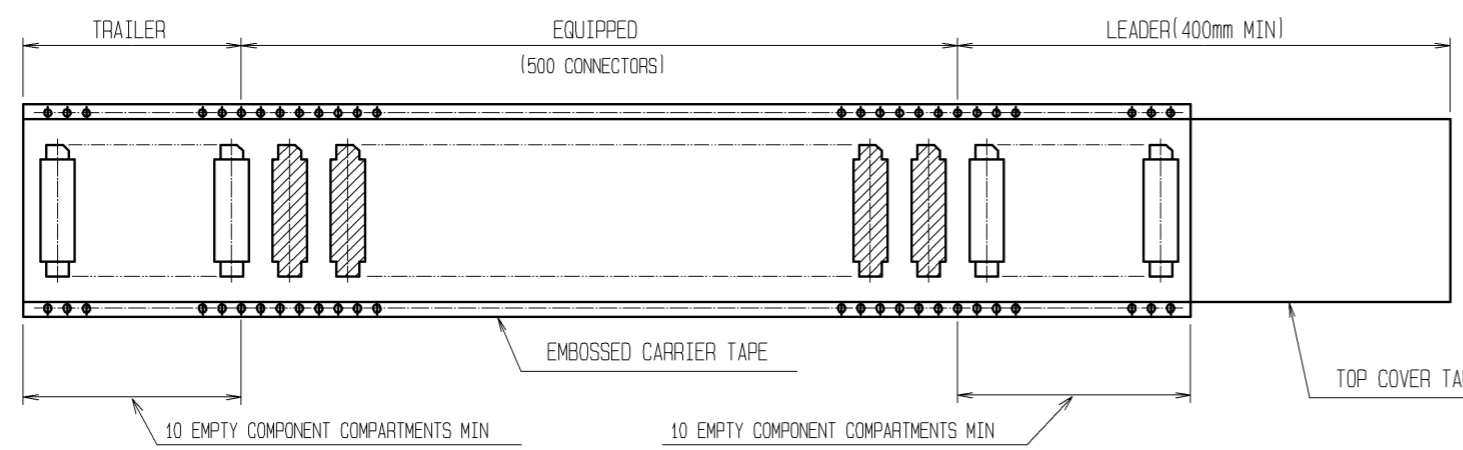


DETAIL OF TAPE FOR VACUUM PICKUP

△△ DIMENSION TABLE OF EMBOSSED CARRIER TAPE AND REEL.

PART No.	CODE No.	②	③	A	B	C	D	E	F	G
FX8C- 60S-SV5(93)	CL578-0821-0-93	60	×	20	25	20.2	40.4	44	44.4	Ø370
FX8C- 80S-SV5(93)	CL578-0823-5-93	80	×	26	31	20.2	40.4	44	44.4	Ø370
FX8C-100S-SV5(93)	CL578-0825-0-93	100	×	32	37	26.2	52.4	56	56.4	Ø370
FX8C-120S-SV5(93)	CL578-0826-3-93	120	-	38	43	26.2	52.4	56	56.4	Ø380
FX8C-140S-SV5(93)	CL578-0827-6-93	140	×	44	49	34.2	68.4	72	72.4	Ø380

- NOTE
- 1 1 REEL : 500 CONNECTORS
  - ② NUMBER OF CONTACTS
  - ③ EXISTENCE
  - X:PRODUCED, -:NO PRODUCED
  - ④ REMOVE THE VACUUM PICKUP TAPE AFTER MOUNTING THE CONNECTOR. △
  - 5 THE DIMENSIONS IN PARENTHESES ARE FOR REFERENCE. △



<b>HRS</b>	DRAWING NO.	EDC3-151023-23
	PART NO.	FX8C-*S-SV5(93)
	CODE NO.	CL578
		△ 2/2

In case of consideration for using Automotive equipment / device which demand high reliability, kindly contact our sales window correspondents.

## X-ON Electronics

Largest Supplier of Electrical and Electronic Components

*Click to view similar products for [Board to Board & Mezzanine Connectors](#) category:*

*Click to view products by [Hirose](#) manufacturer:*

Other Similar products are found below :

[589158040000018](#) [MDF7C-18P-2.54DSA\(55\)](#) [FCN-230C068-11](#) [FCN-268F012-G/BD](#) [FCN-268F036-G/BD](#) [FCN-268M012-G/0D](#) [FCN-268M024-G/1D](#) [FCN-723J004/1](#) [MIS-048-01-F-D-DP-K](#) [832-10-034-10-001000](#) [FX4C-80S-1.27DSA](#) [FCN-214Q030-G/0](#) [FCN-234P048-G/0](#) [FCN-235D050-G/C](#) [210-93-314-41-105000](#) [2-22603-0](#) [MDF7-40DP-2.54DSA\(55\)](#) [AXG720047](#) [MIT-114-03-F-D-K](#) [55323-1519](#) [DF33-2P-3.3DSA\(24\)](#) [YFT-20-05-H-03-SB-K](#) [503308-3040](#) [026-6203-PDB](#) [027-6203-PDB](#) [069159702701000](#) [10123981-102LF](#) [101A10019X](#) [55650-0588-C](#) [68682-310LF](#) [68684-306](#) [75140-7012](#) [87471-650](#) [YTW-30-07-H-Q-410-140](#) [FCN-268F024-G0D](#) [10124054-515LF](#) [68685-603](#) [8-1616154-3](#) [MIS-019-01-F-D](#) [FCN-268M024-G/3D](#) [FCN-268M036-G/BD](#) [20021832-06016C1LF](#) [KX15-20KLDL-E1000E](#) [AXE810124](#) [FCN-214J100-G/0](#) [FCN-230C068-E/S](#) [AXE812124](#) [AXE816124](#) [AXE720127](#) [354184](#)