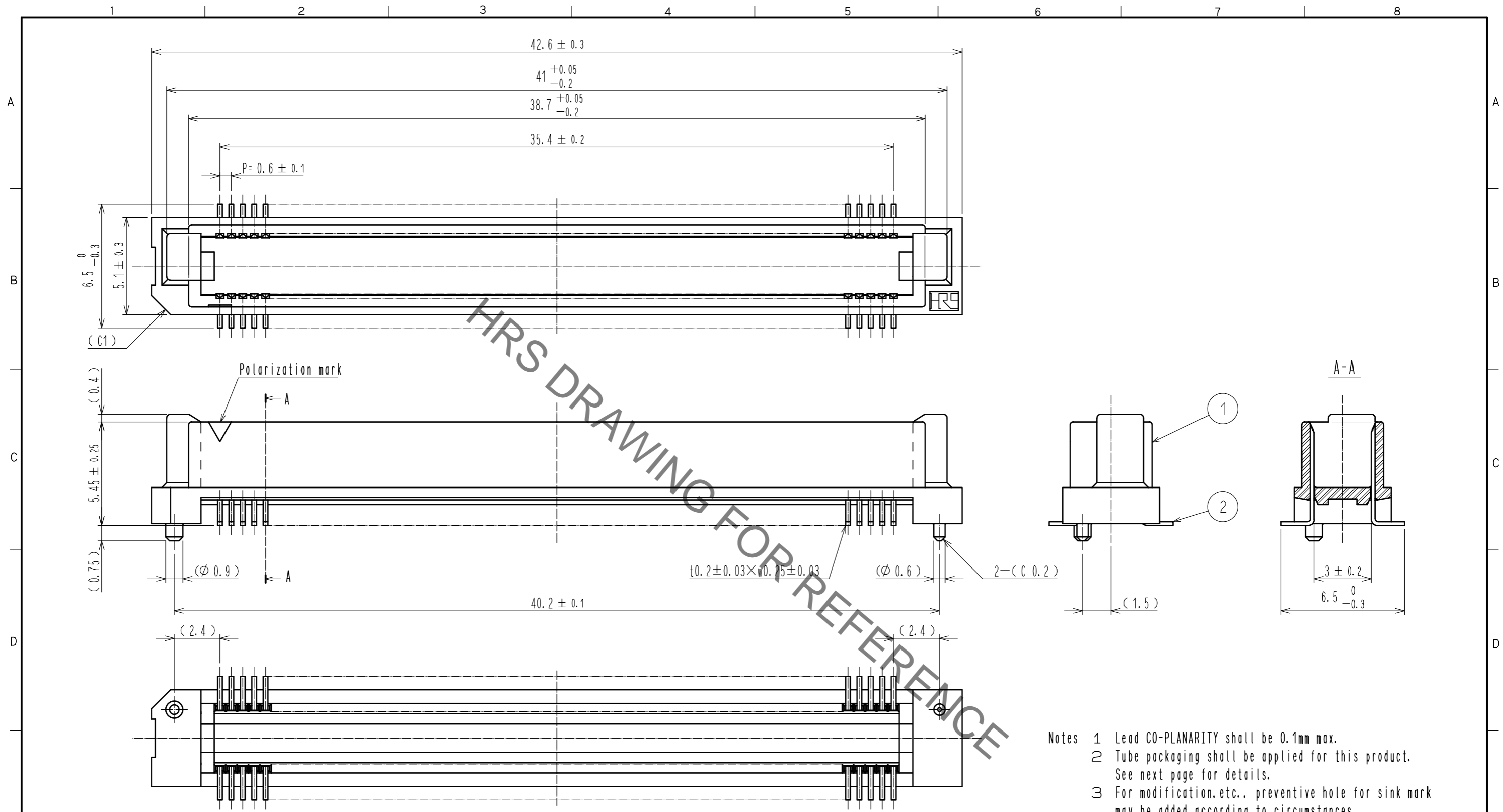
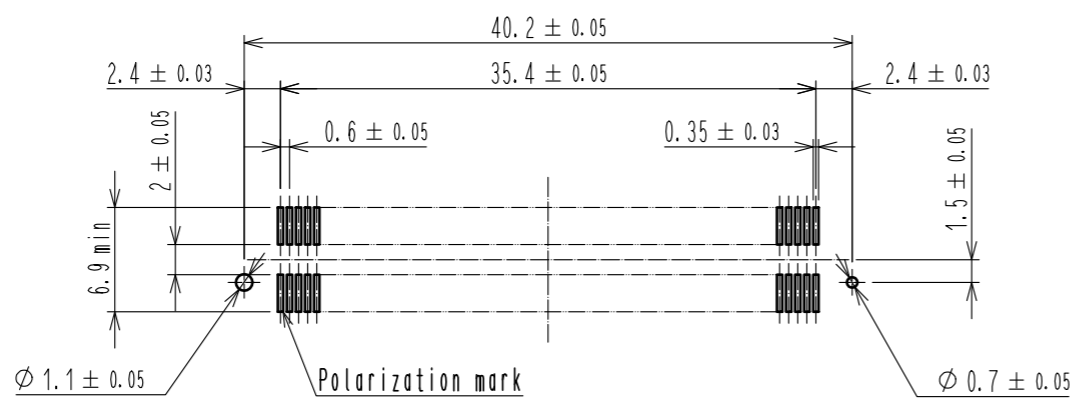


Sep.1.2021 Copyright 2021 HIROSE ELECTRIC CO., LTD. All Rights Reserved.  
In case of consideration for using Automotive equipment / device which demand high reliability, kindly contact our sales window correspondents.



- Notes
- 1 Lead CO-PLANARITY shall be 0.1mm max.
  - 2 Tube packaging shall be applied for this product. See next page for details.
  - 3 For modification, etc., preventive hole for sink mark may be added according to circumstances.
  - 4 The dimensions in parentheses are for reference.

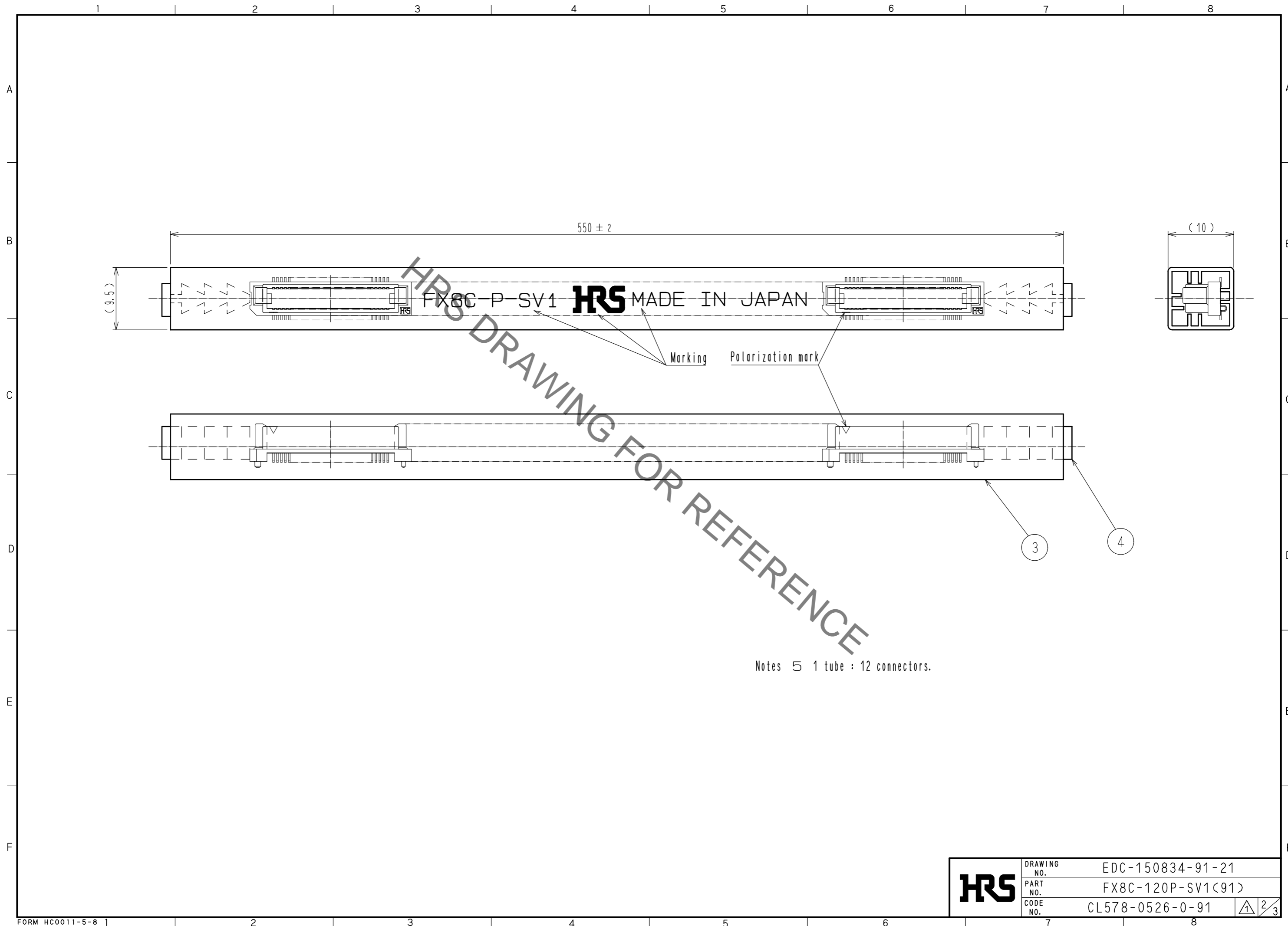
Recommended land pattern dimension of PCB (mounting side) (2:1)



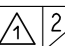
2	PHOSPHOR BRONZE	Contact area : Gold 0.1μm min.					
		Lead area : Tin-plating 1μm min.					
		Under plating : Nickel 1μm min.	4	POLYVINYL CHLORIDE	(Stopper)		
1	PPS	Light brown (UL94V-0)	3	POLYVINYL CHLORIDE	(Tube)		
NO.	MATERIAL	FINISH . REMARKS	NO.	MATERIAL	FINISH . REMARKS		
UNITS		SCALE	COUNT	DESCRIPTION OF REVISIONS		DESIGNED	CHECKED
mm		5 : 1	1	DIS-F-00006414		KS. NAKAJIMA	HT. YAMAGUCHI
				APPROVED : HS. OKAWA	20051216	DRAWING NO. EDC-150834-91-21	
				CHECKED : HS. OZAWA	20051216	PART NO. FX8C-120P-SV1(91)	
				DESIGNED : KY. NAKAMURA	20051216	CODE NO. CL578-0526-0-91	
				DRAWN : SY. KAMIGA	20051108		

Added precaution

Sep.1.2021 Copyright 2021 HIROSE ELECTRIC CO., LTD. All Rights Reserved.  
In case of consideration for using Automotive equipment / device which demand high reliability, kindly contact our sales window correspondents.



Notes 5 1 tube : 12 connectors.

<b>HRS</b>	DRAWING NO.	EDC-150834-91-21
	PART NO.	FX8C-120P-SV1(91)
	CODE NO.	CL578-0526-0-91
		 2/3

In case of consideration for using Automotive equipment / device which demand high reliability, kindly contact our sales window correspondents.

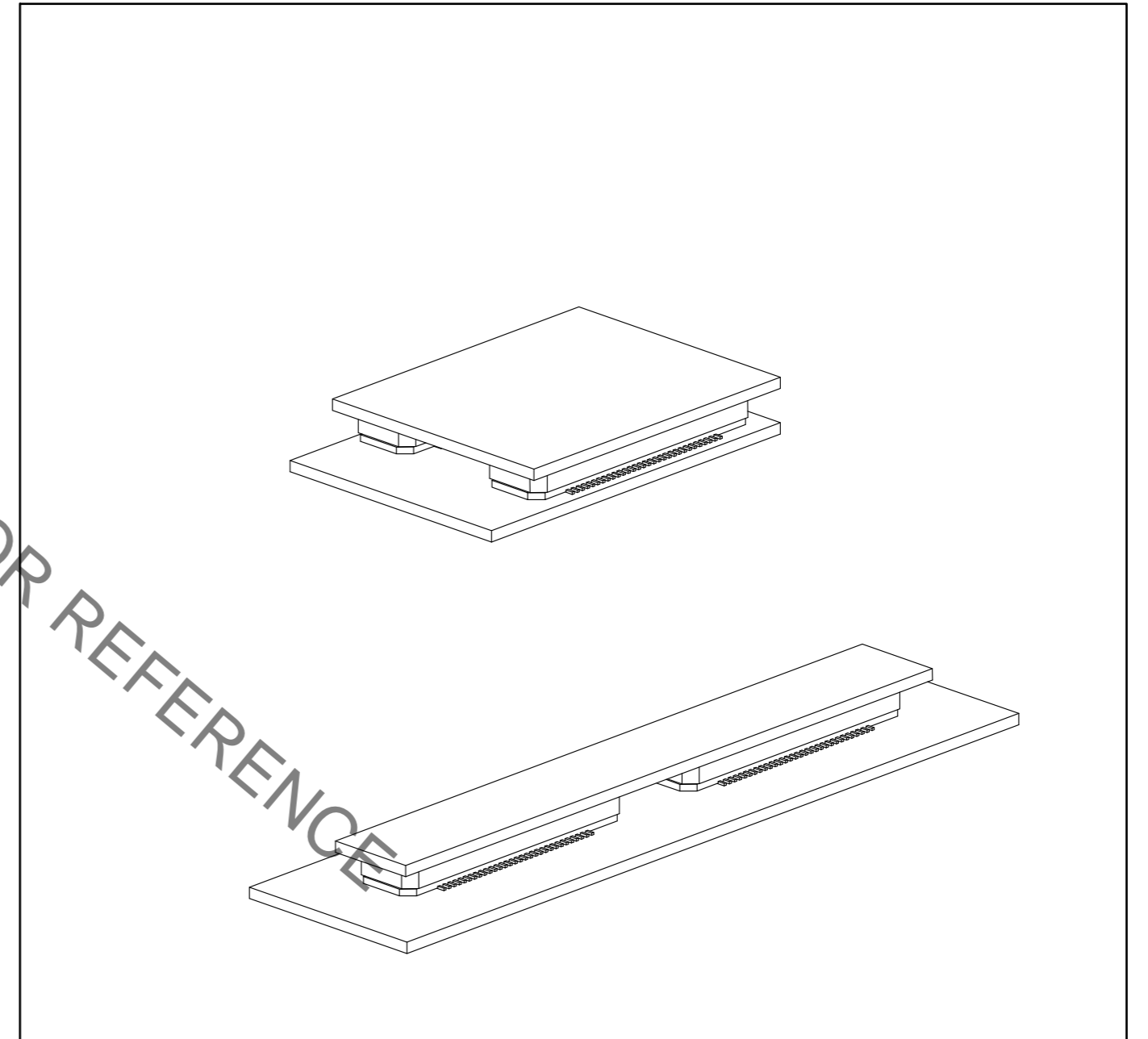
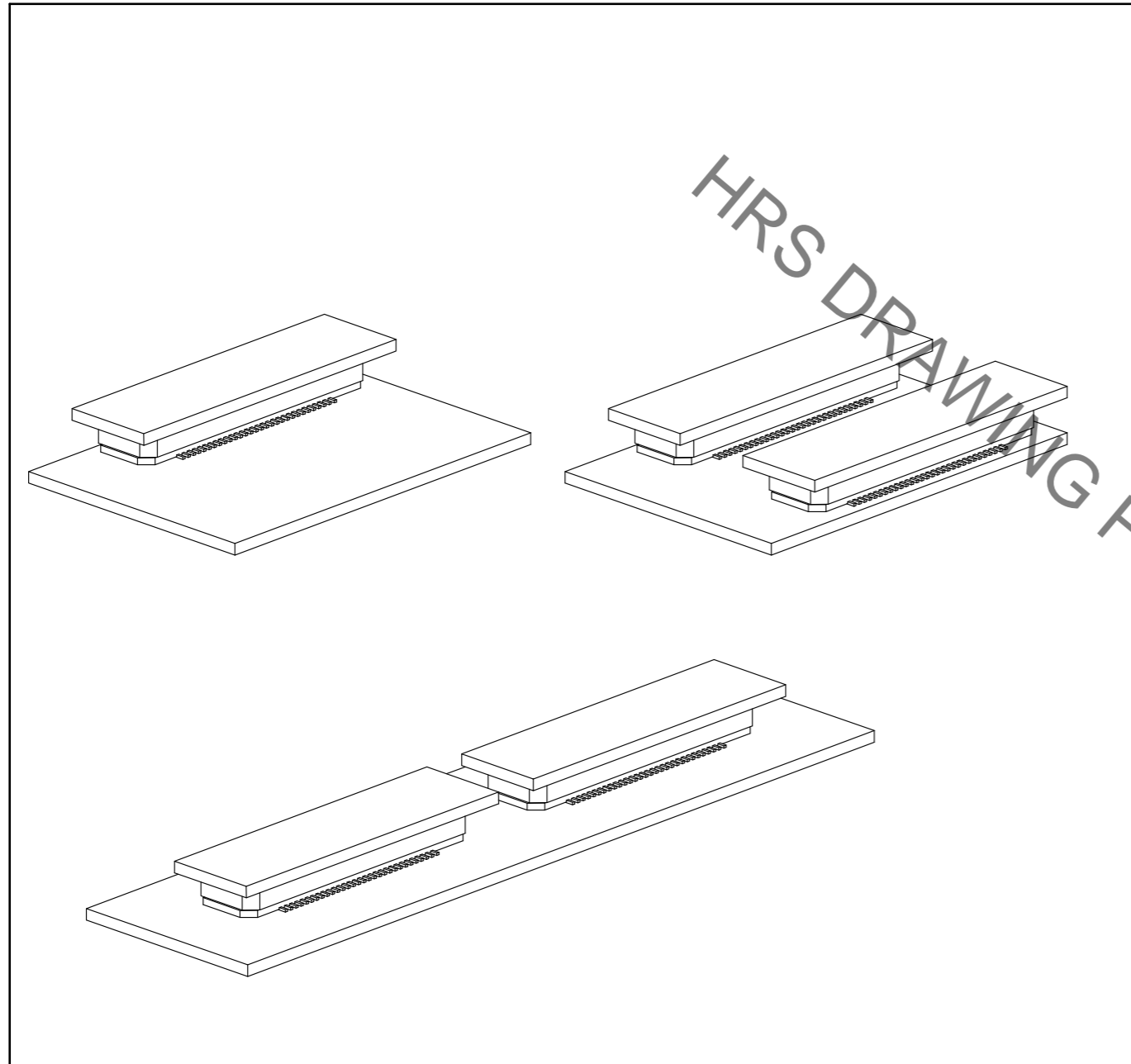
Sep.1.2021 Copyright 2021 HIROSE ELECTRIC CO., LTD. All Rights Reserved.

【 Precaution 】

When a board with multiple connectors mounted is mated, the connector may be damaged or deformed.  
Please divide one side of the board so only one connector is mated per board.

OK

NG



HRS DRAWING FOR REFERENCE

<b>HRS</b>	DRAWING NO.	EDC-150834-91-21
	PART NO.	FX8C-120P-SV1(91)
	CODE NO.	CL578-0526-0-91
		3/3

## X-ON Electronics

Largest Supplier of Electrical and Electronic Components

*Click to view similar products for [Board to Board & Mezzanine Connectors](#) category:*

*Click to view products by [Hirose](#) manufacturer:*

Other Similar products are found below :

[589158040000018](#) [MDF7C-18P-2.54DSA\(55\)](#) [FCN-230C068-11](#) [FCN-268F012-G/BD](#) [FCN-268F036-G/BD](#) [FCN-268M012-G/0D](#) [FCN-268M024-G/1D](#) [FCN-723J004/1](#) [MIS-048-01-F-D-DP-K](#) [832-10-034-10-001000](#) [FX4C-80S-1.27DSA](#) [FCN-214Q030-G/0](#) [FCN-234P048-G/0](#) [FCN-235D050-G/C](#) [210-93-314-41-105000](#) [2-22603-0](#) [MDF7-40DP-2.54DSA\(55\)](#) [AXG720047](#) [MIT-114-03-F-D-K](#) [55323-1519](#) [DF33-2P-3.3DSA\(24\)](#) [YFT-20-05-H-03-SB-K](#) [503308-3040](#) [026-6203-PDB](#) [027-6203-PDB](#) [069159702701000](#) [10123981-102LF](#) [101A10019X](#) [55650-0588-C](#) [68682-310LF](#) [68684-306](#) [75140-7012](#) [87471-650](#) [YTW-30-07-H-Q-410-140](#) [FCN-268F024-G0D](#) [10124054-515LF](#) [68685-603](#) [8-1616154-3](#) [MIS-019-01-F-D](#) [FCN-268M024-G/3D](#) [FCN-268M036-G/BD](#) [20021832-06016C1LF](#) [KX15-20KLDL-E1000E](#) [AXE810124](#) [FCN-214J100-G/0](#) [FCN-230C068-E/S](#) [AXE812124](#) [AXE816124](#) [AXE720127](#) [354184](#)