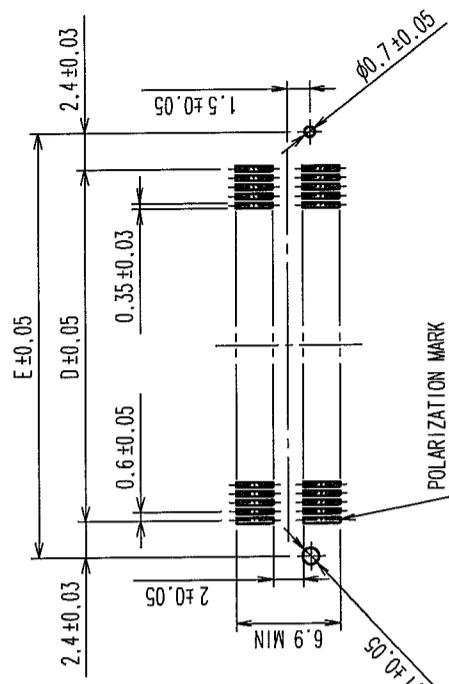


Sep.1.2021 Copyright 2021 HIROSE ELECTRIC CO., LTD. All Rights Reserved.
 2 In case of consideration for using Automotive equipment / device which demand high reliability, kindly contact our sales window correspondents.

8

COUNT	DESCRIPTION OF REVISIONS	BY	CHKD	DATE	COUNT	DESCRIPTION OF REVISIONS	BY	CHKD	DATE
3	RE-F-09671	K.N	H.Y	04.04.08					

RECOMMENDED LAND PATTERN DIMENSION OF P.C.B. (MOUNTING SIDE)

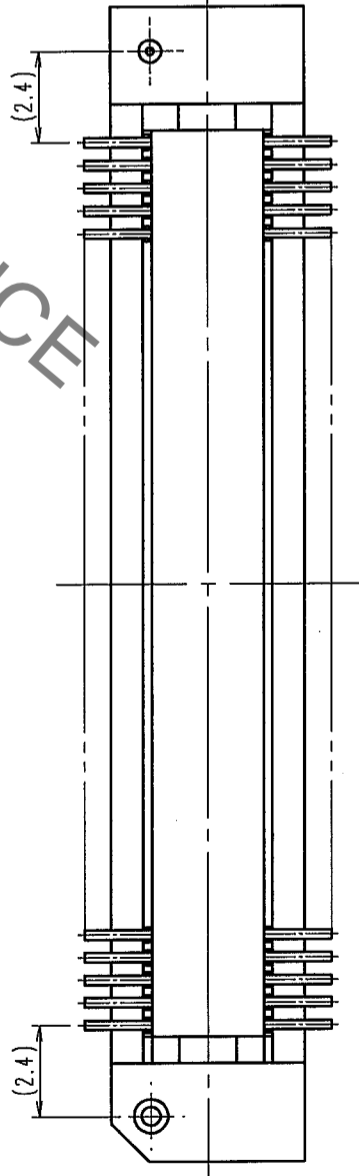
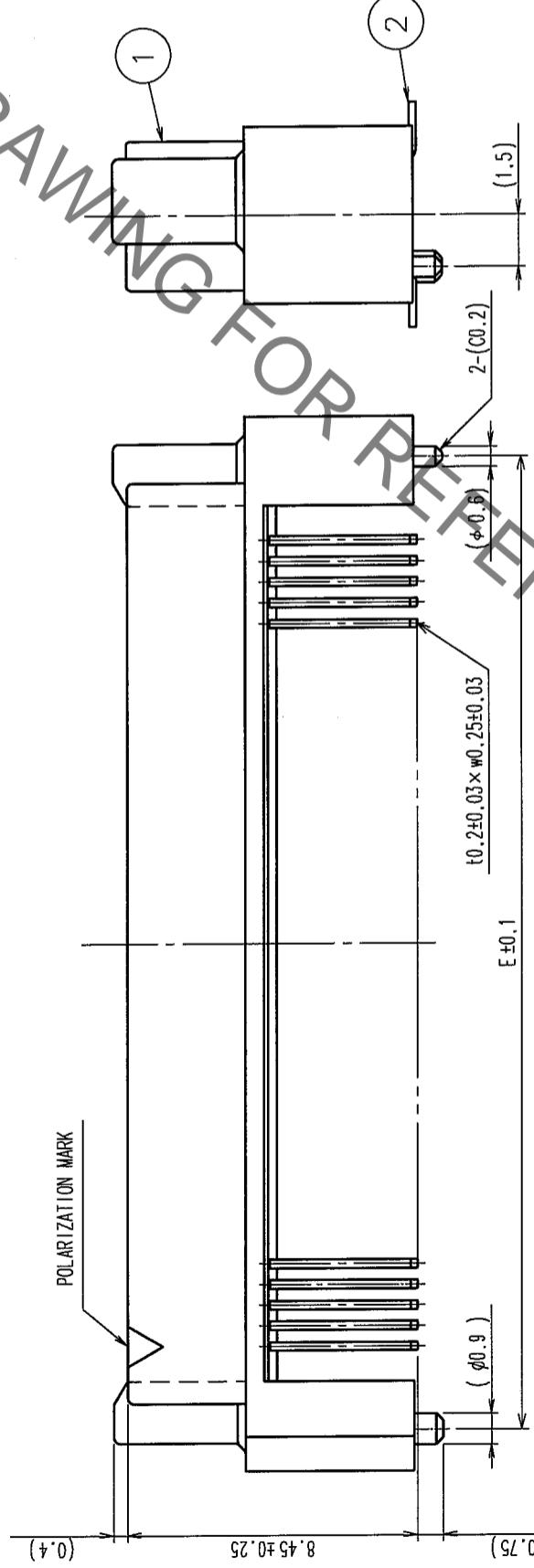
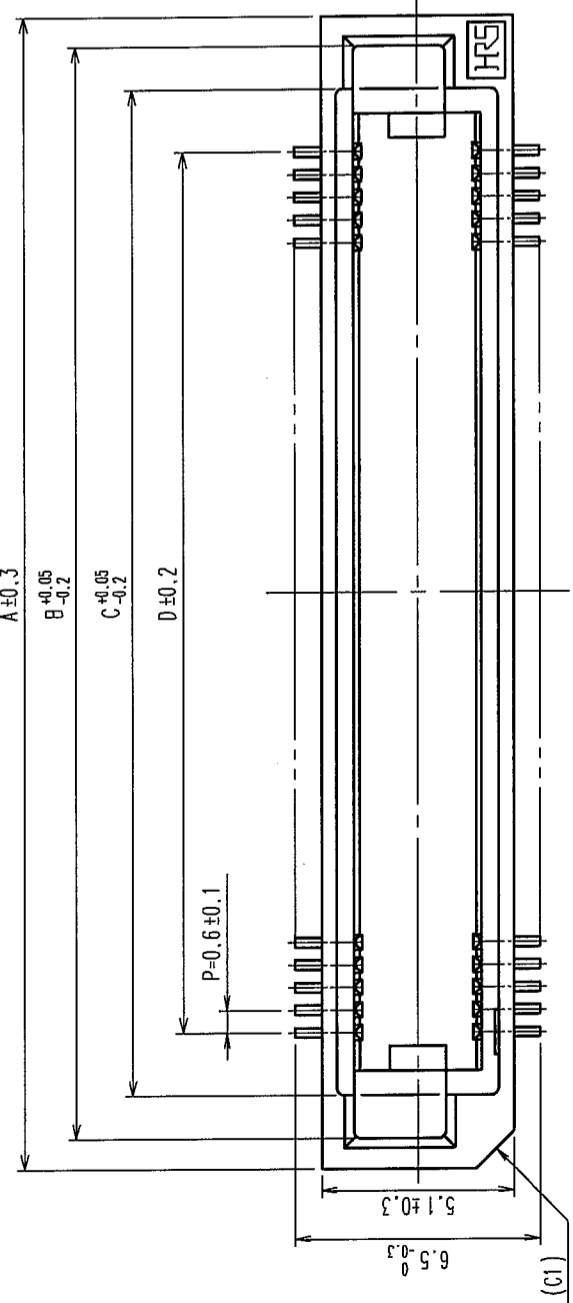


DIMENSION TABLE OF CONNECTOR AND P.C.B. LAND PATTERN.

PART No.	CODE No.	5	A	B	C	D	E
FX8C-60P-SV4(92)	CL578-0581-8-92	60	24.60	23.00	20.70	17.40	22.20
FX8C-80P-SV4(92)	CL578-0583-3-92	80	30.60	29.00	26.70	23.40	28.20
FX8C-100P-SV4(92)	CL578-0585-9-92	100	36.60	35.00	32.70	29.40	34.20
FX8C-120P-SV4(92)	CL578-0586-1-92	120	42.60	41.00	38.70	35.40	40.20
FX8C-140P-SV4(92)	CL578-0587-4-92	140	48.60	47.00	44.70	41.40	46.20

- NOTE 1. LEAD CO-PLANARITY SHALL BE 0.1mm MAX.
 2. EMBOSSED CARRIER TAPE PACKAGING SHALL BE APPLIED FOR THIS PRODUCT. SEE NEXT PAGE FOR DETAILS.
 3. FOR MODIFICATION, ETC., PREVENTIVE HOLE FOR SINK MARK MAY BE ADDED ACCORDING TO CIRCUMSTANCES.
 4. THE DIMENSIONS IN PARENTHESES ARE FOR REFERENCE.
 5 NUMBER OF CONTACTS.

NO.	MATERIAL	FINISH, REMARKS	NO.	MATERIAL	DESIGNED	CHECKED	APPROVED	REMARKS
1	PPS	LIGHT BROWN (UL94V-0)	2	PHOSPHOR BRONZE	K.NAKAMURA	H.OKAWA	Y.YOSHIMURA	
CODE NO. (OLD)		CL	DRAWN		S.SUZUKI			
SCALE		FREE	PART NO.		FX8C-**P-SV4(92)			
UNITS		MM	CODE NO.		CL578			



8

7

6

5

4

3

2

1

TO	
PCK	

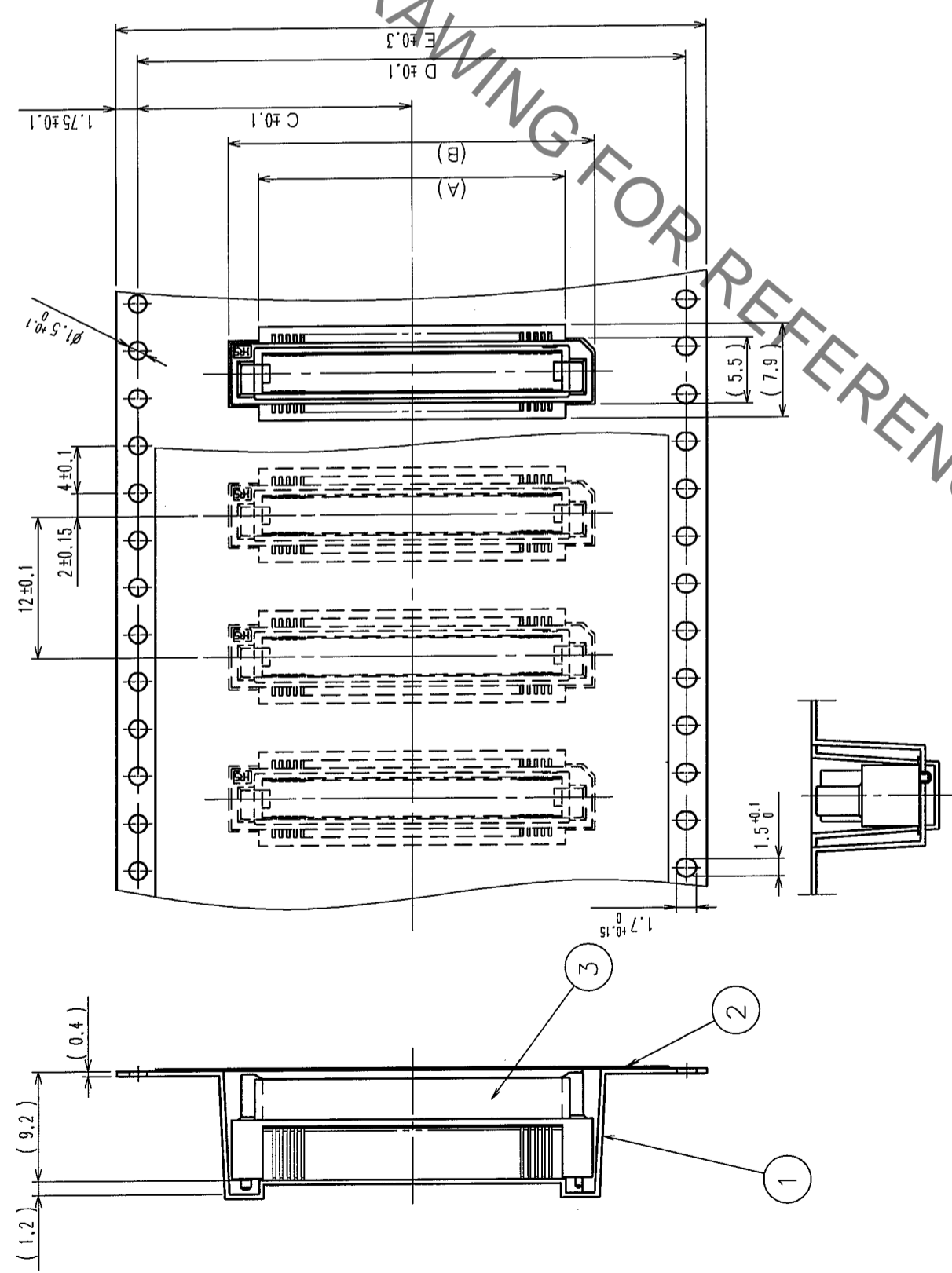
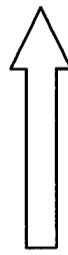
HRS DRAWING FOR REFERENCE

1/2

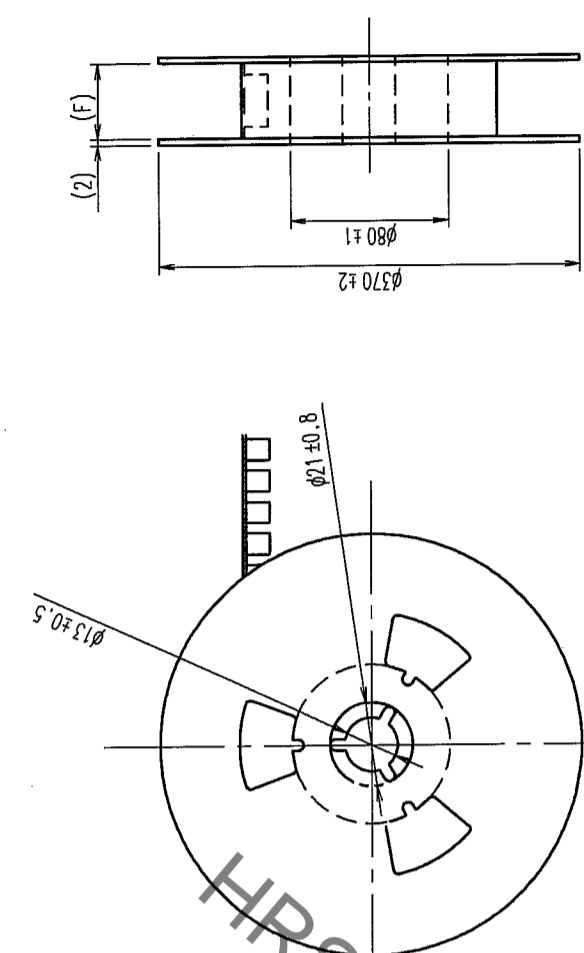
2 In case of consideration for using Automotive equipment / device which demand high reliability, kindly contact our sales window correspondents.

COUNT	DESCRIPTION OF REVISIONS	BY	CHKD	DATE	COUNT	DESCRIPTION OF REVISIONS	BY	CHKD	DATE
△					△				
△					△				
△					△				

UNREELING DIRECTION



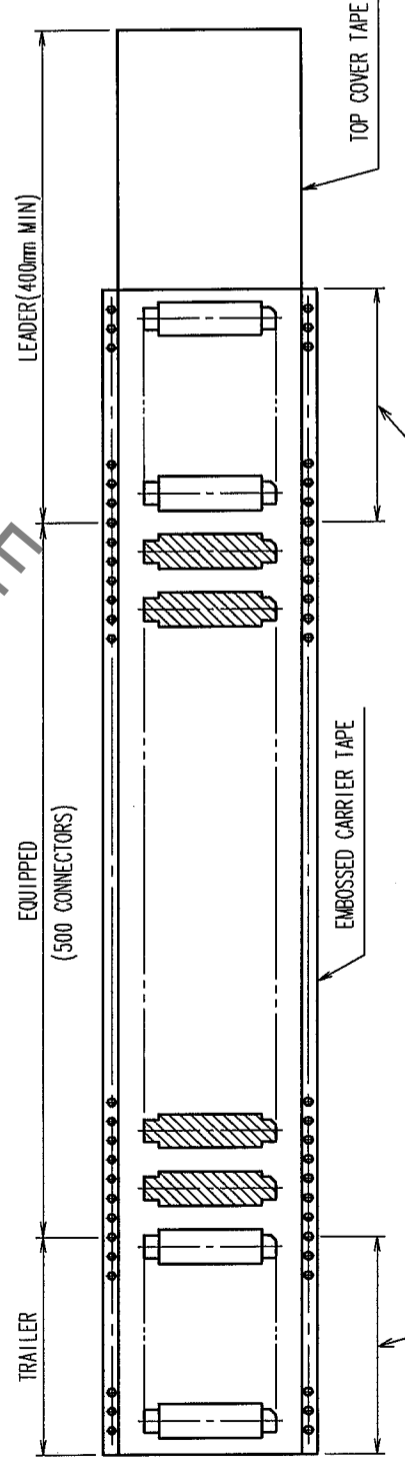
REEL DIMENSION



△ DIMENSION TABLE OF EMBOSSED CARRIER TAPE AND REEL.

PART No.	CODE No.	②	A	B	C	D	E	F
FX8C-60P-SV4(92)	CL578-0581-8-92	60	20	25	20.2	40.4	44	44.4
FX8C-80P-SV4(92)	CL578-0583-3-92	80	26	31	20.2	40.4	44	44.4
FX8C-100P-SV4(92)	CL578-0585-9-92	100	32	37	26.2	52.4	56	56.4
FX8C-120P-SV4(92)	CL578-0586-1-92	120	38	43	26.2	52.4	56	56.4
FX8C-140P-SV4(92)	CL578-0587-4-92	140	44	49	34.2	68.4	72	72.4

NOTE 1 1 REEL : 500 CONNECTORS
 ② NUMBER OF CONTACTS



2 POLYESTER (TOP COVER TAPE)		3 (CONNECTOR)							
NO.	MATERIAL	FINISH, REMARKS	NO.	MATERIAL	DESIGNED	CHECKED	APPROVED	RELEASED	
1	PS/△		3		K. NAKAMURA	H. OKAWA	Y. YOSHIMURA		
CODE NO. (OLD)		DRAWN		DESIGNED		CHECKED		APPROVED	
CL		S. SUZUKI		K. NAKAMURA		H. OKAWA		Y. YOSHIMURA	
		03.02.04		03.02.12		03.02.14		03.02.15	
DRAWING NO.		PART NO.		FX8C-**-P-SV4(92)					
EDC3-151089-22									
SCALE		FREE		CODE NO.		CL578			
UNITS		MM		HIROSE ELECTRIC CO., LTD					

TO	
PCK	

X-ON Electronics

Largest Supplier of Electrical and Electronic Components

Click to view similar products for [Board to Board & Mezzanine Connectors](#) category:

Click to view products by [Hirose](#) manufacturer:

Other Similar products are found below :

[589158040000018](#) [MDF7C-18P-2.54DSA\(55\)](#) [FCN-230C068-11](#) [FCN-268F012-G/BD](#) [FCN-268F036-G/BD](#) [FCN-268M012-G/0D](#) [FCN-268M024-G/1D](#) [FCN-723J004/1](#) [MIS-048-01-F-D-DP-K](#) [832-10-034-10-001000](#) [FX4C-80S-1.27DSA](#) [FCN-214Q030-G/0](#) [FCN-234P048-G/0](#) [FCN-235D050-G/C](#) [210-93-314-41-105000](#) [2-22603-0](#) [MDF7-40DP-2.54DSA\(55\)](#) [AXG720047](#) [MIT-114-03-F-D-K](#) [55323-1519](#) [DF33-2P-3.3DSA\(24\)](#) [YFT-20-05-H-03-SB-K](#) [503308-3040](#) [026-6203-PDB](#) [027-6203-PDB](#) [069159702701000](#) [10123981-102LF](#) [101A10019X](#) [55650-0588-C](#) [68682-310LF](#) [68684-306](#) [75140-7012](#) [87471-650](#) [YTW-30-07-H-Q-410-140](#) [FCN-268F024-G0D](#) [10124054-515LF](#) [68685-603](#) [8-1616154-3](#) [MIS-019-01-F-D](#) [FCN-268M024-G/3D](#) [FCN-268M036-G/BD](#) [20021832-06016C1LF](#) [KX15-20KLDL-E1000E](#) [AXE810124](#) [FCN-214J100-G/0](#) [FCN-230C068-E/S](#) [AXE812124](#) [AXE816124](#) [AXE720127](#) [354184](#)