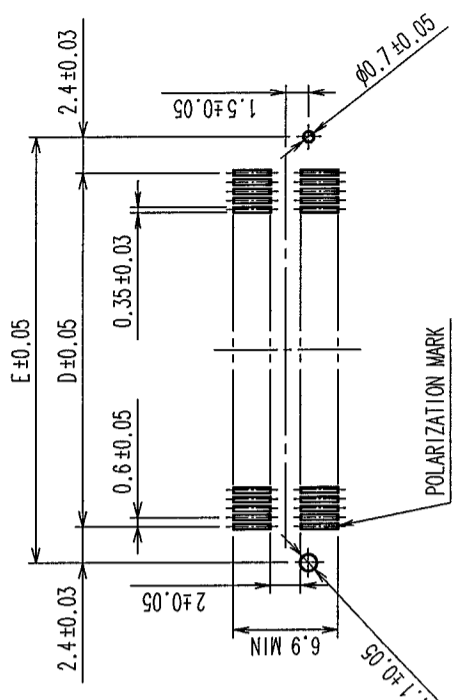


COUNT	DESCRIPTION OF REVISIONS	BY	CHKD	DATE	COUNT	DESCRIPTION OF REVISIONS	BY	CHKD	DATE
3	RE-F-09671	K.N	H.Y	04.04.08					
1	RE-F-10252	K.D	H.O	04.12.06					

RECOMMENDED LAND PATTERN DIMENSION OF P.C.B. (MOUNTING SIDE)



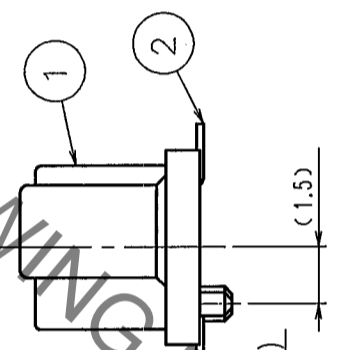
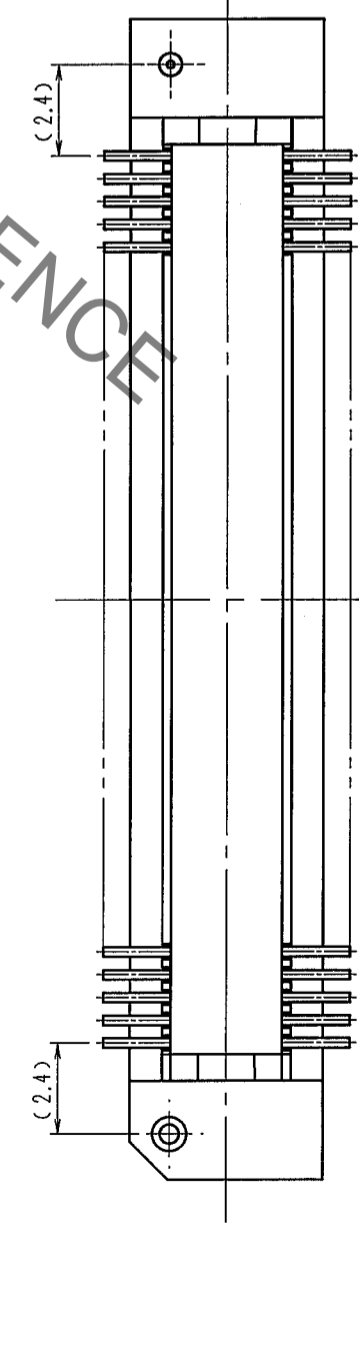
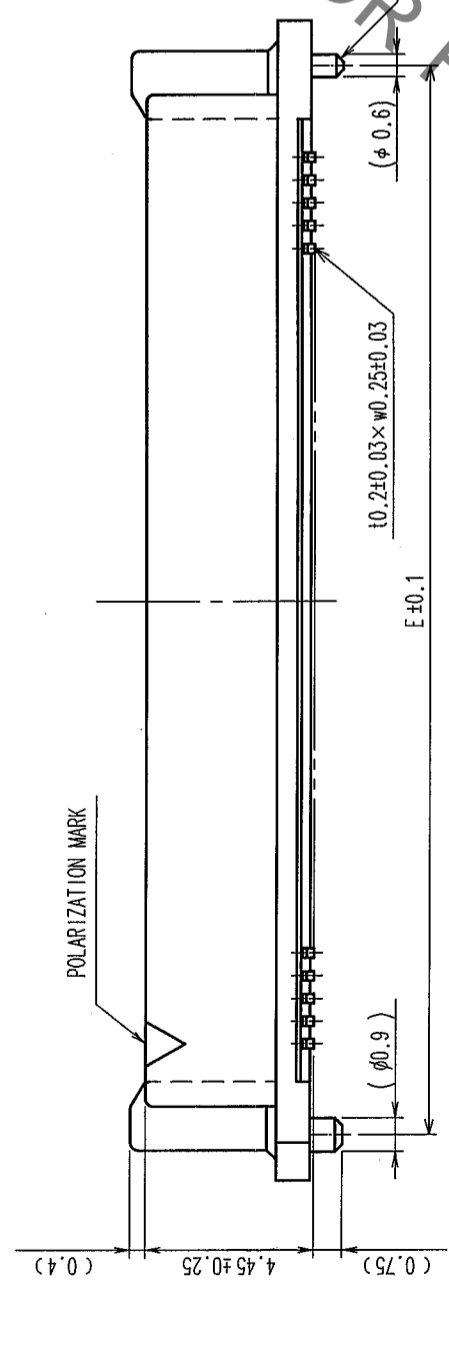
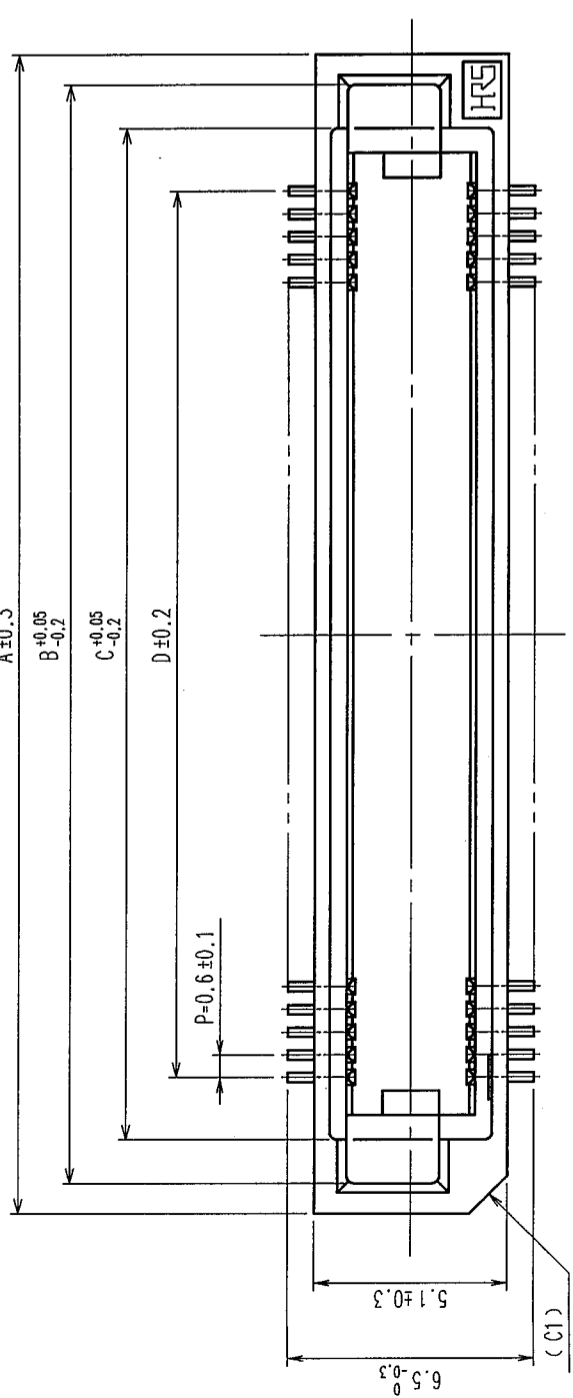
DIMENSION TABLE OF CONNECTOR AND P.C.B. LAND PATTERN.

PART No.	CODE No.	6	7	A	B	C	D	E
FX8C-60P-SV(93)	CL578-0501-9-93	60	X	24.60	23.00	20.70	17.40	22.20
FX8C-80P-SV(93)	CL578-0503-4-93	80	X	30.60	29.00	26.70	23.40	28.20
FX8C-100P-SV(93)	CL578-0505-0-93	100	X	36.60	35.00	32.70	29.40	34.20
FX8C-120P-SV(93)	CL578-0506-2-93	120	-	42.60	41.00	38.70	35.40	40.20
FX8C-140P-SV(93)	CL578-0507-5-93	140	-	48.60	47.00	44.70	41.40	46.20

- NOTE 1. LEAD CO-PLANARITY SHALL BE 0.1mm MAX.  
 2. EMBOSSED CARRIER TAPE PACKAGING SHALL BE APPLIED TO THIS PRODUCT.  
 3. SEE NEXT PAGE FOR DETAILS.  
 4. THIS PRODUCT HAS TAPE FOR VACUUM PICKUP.  
 5. SEE NEXT PAGE FOR DETAIL OF STICKING POSITION, ETC.  
 6. FOR MODIFICATION, ETC, PREVENTIVE HOLE FOR SINK MARK MAY BE ADDED ACCORDING TO CIRCUMSTANCES.  
 7. THE DIMENSIONS IN PARENTHESES ARE FOR REFERENCE.

6 NUMBER OF CONTACTS.  
 7 EXISTENCE  
 X : PRODUCED, - : NO PRODUCED

CONTACT AREA: GOLD 0.1μm min  
 LEAD AREA: GOLD FLASH  
 UNDER PLATING: NICKEL 0.5μm min



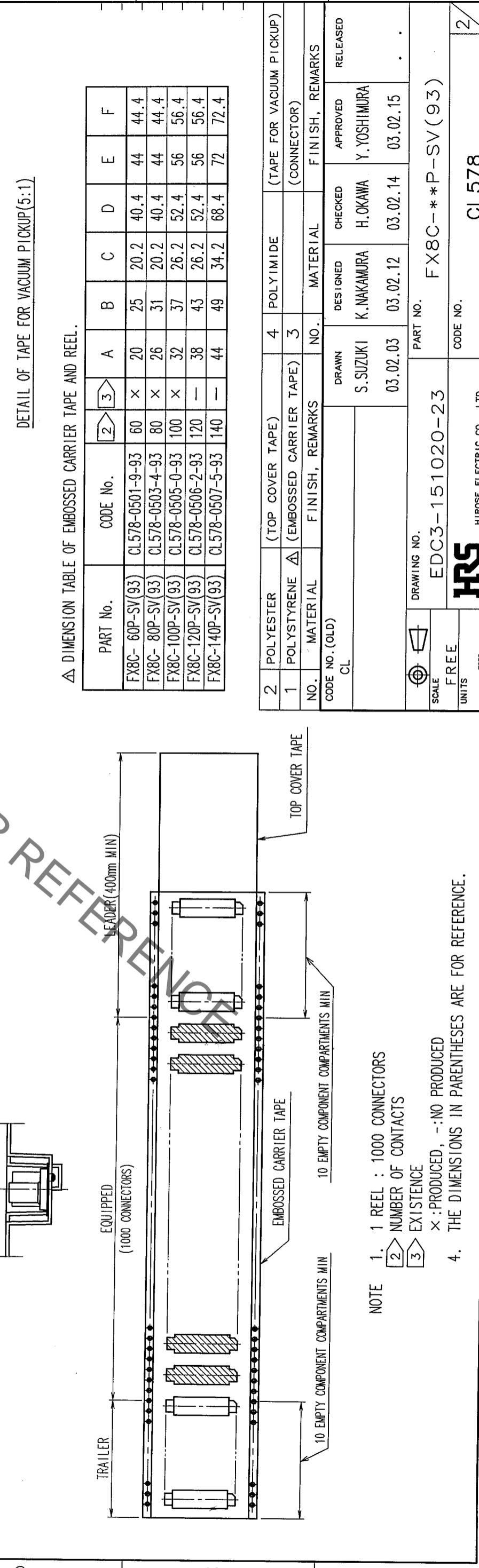
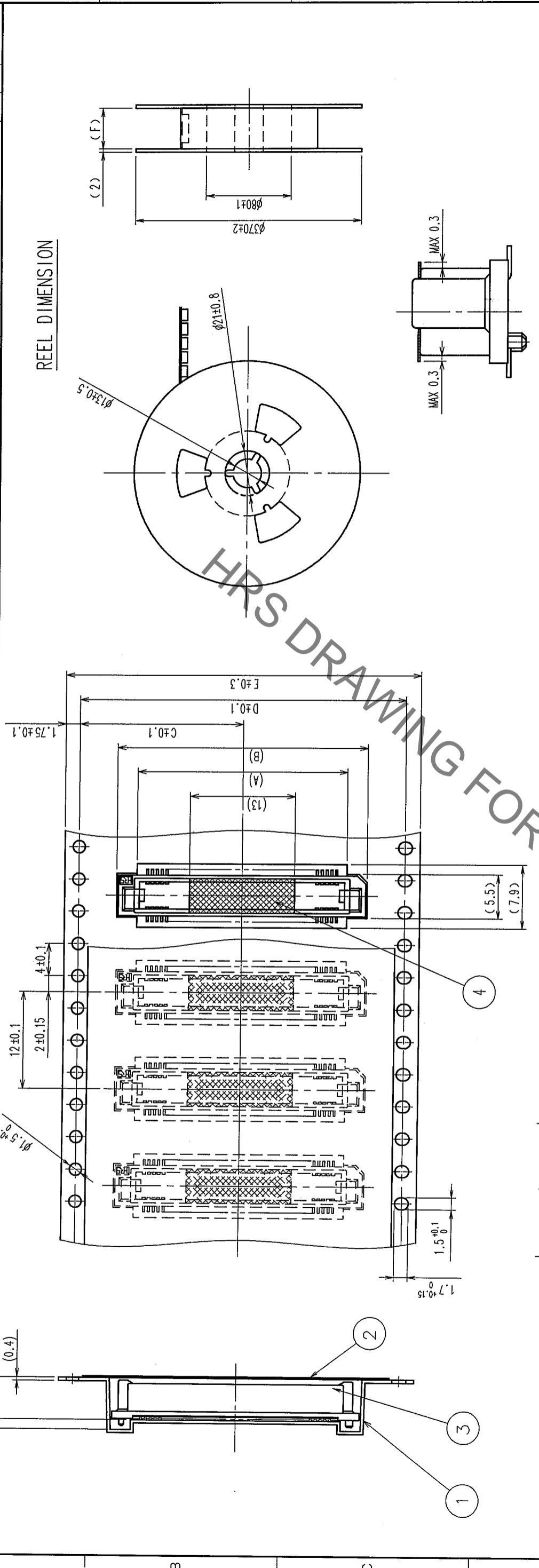
TO	
PCK	

1	POLYPHENYLENE SULFIDE	LIGHT BROWN (UL94V-0)	2	PHOSPHOR BRONZE																	
NO.	MATERIAL	FINISH, REMARKS	NO.	MATERIAL	FINISH, REMARKS	NO.	MATERIAL	FINISH, REMARKS	NO.	MATERIAL	FINISH, REMARKS	NO.	MATERIAL	FINISH, REMARKS	NO.	MATERIAL	FINISH, REMARKS	NO.	MATERIAL	FINISH, REMARKS	
CODE NO. (OLD)		DRAWN		DESIGNED		CHECKED		APPROVED		RELEASED		CONTACT AREA: GOLD 0.1μm min		LEAD AREA: GOLD FLASH		UNDER PLATING: NICKEL 0.5μm min					
CL		S. SUZUKI		K. NAKAMURA		H. OKAWA		Y. YOSHIMURA													
		03.02.03		03.02.12		03.02.14		03.02.15													
DRAWING NO.				PART NO.																	
EDC3-151020-23				FX8C-**-P-SV(93)																	
SCALE				CODE NO.																	
FREE				HIROSE ELECTRIC CO., LTD				CL578													
UNITS																					
mm																					

COUNT	DESCRIPTION OF REVISIONS	BY	CHKD	DATE	COUNT	DESCRIPTION OF REVISIONS	BY	CHKD	DATE
△									
△									
△									

COUNT	DESCRIPTION OF REVISIONS	BY	CHKD	DATE	COUNT	DESCRIPTION OF REVISIONS	BY	CHKD	DATE
△									
△									
△									

UNREELING DIRECTION



△ DIMENSION TABLE OF EMBOSSED CARRIER TAPE AND REEL.

PART No.	CODE No.	2	3	A	B	C	D	E	F
FX8C-60P-SV(93)	CL578-0501-9-93	60	X	20	25	20.2	40.4	44	44.4
FX8C-80P-SV(93)	CL578-0503-4-93	80	X	26	31	20.2	40.4	44	44.4
FX8C-100P-SV(93)	CL578-0505-0-93	100	X	32	37	26.2	52.4	56	56.4
FX8C-120P-SV(93)	CL578-0506-2-93	120	-	38	43	26.2	52.4	56	56.4
FX8C-140P-SV(93)	CL578-0507-5-93	140	-	44	49	34.2	68.4	72	72.4

2	POLYESTER	(TOP COVER TAPE)	4	POLYIMIDE	(TAPE FOR VACUUM PICKUP)
1	POLYSTYRENE	(EMBOSSED CARRIER TAPE)	3		(CONNECTOR)
NO.	MATERIAL	FINISH, REMARKS	NO.	MATERIAL	FINISH, REMARKS
CODE NO. (OLD)	CL				
DRAWN		DESIGNED		CHECKED	
S. SUZUKI		K. NAKAMURA		H. OKAWA	
03.02.03		03.02.12		03.02.14	
03.02.03		03.02.12		03.02.15	
SCALE		DRAWING NO.		PART NO.	
FREE		EDC3-151020-23		FX8C-**-P-SV(93)	
UNITS		mm		CODE NO.	
		HRS		CL578	
		HIROSE ELECTRIC CO., LTD			

NOTE  
 1. 1 REEL : 1000 CONNECTORS  
 2. NUMBER OF CONTACTS EXISTENCE  
 X : PRODUCED, - : NO PRODUCED  
 4. THE DIMENSIONS IN PARENTHESES ARE FOR REFERENCE.

## X-ON Electronics

Largest Supplier of Electrical and Electronic Components

*Click to view similar products for [Board to Board & Mezzanine Connectors](#) category:*

*Click to view products by [Hirose](#) manufacturer:*

Other Similar products are found below :

[589158040000018](#) [MDF7C-18P-2.54DSA\(55\)](#) [FCN-230C068-11](#) [FCN-268F012-G/BD](#) [FCN-268F036-G/BD](#) [FCN-268M012-G/0D](#) [FCN-268M024-G/1D](#) [FCN-723J004/1](#) [MIS-048-01-F-D-DP-K](#) [832-10-034-10-001000](#) [FX4C-80S-1.27DSA](#) [FCN-214Q030-G/0](#) [FCN-234P048-G/0](#) [FCN-235D050-G/C](#) [210-93-314-41-105000](#) [2-22603-0](#) [MDF7-40DP-2.54DSA\(55\)](#) [AXG720047](#) [MIT-114-03-F-D-K](#) [55323-1519](#) [DF33-2P-3.3DSA\(24\)](#) [YFT-20-05-H-03-SB-K](#) [503308-3040](#) [026-6203-PDB](#) [027-6203-PDB](#) [069159702701000](#) [10123981-102LF](#) [101A10019X](#) [55650-0588-C](#) [68682-310LF](#) [68684-306](#) [75140-7012](#) [87471-650](#) [YTW-30-07-H-Q-410-140](#) [FCN-268F024-G0D](#) [10124054-515LF](#) [68685-603](#) [8-1616154-3](#) [MIS-019-01-F-D](#) [FCN-268M024-G/3D](#) [FCN-268M036-G/BD](#) [20021832-06016C1LF](#) [KX15-20KLDL-E1000E](#) [AXE810124](#) [FCN-214J100-G/0](#) [FCN-230C068-E/S](#) [AXE812124](#) [AXE816124](#) [AXE720127](#) [354184](#)