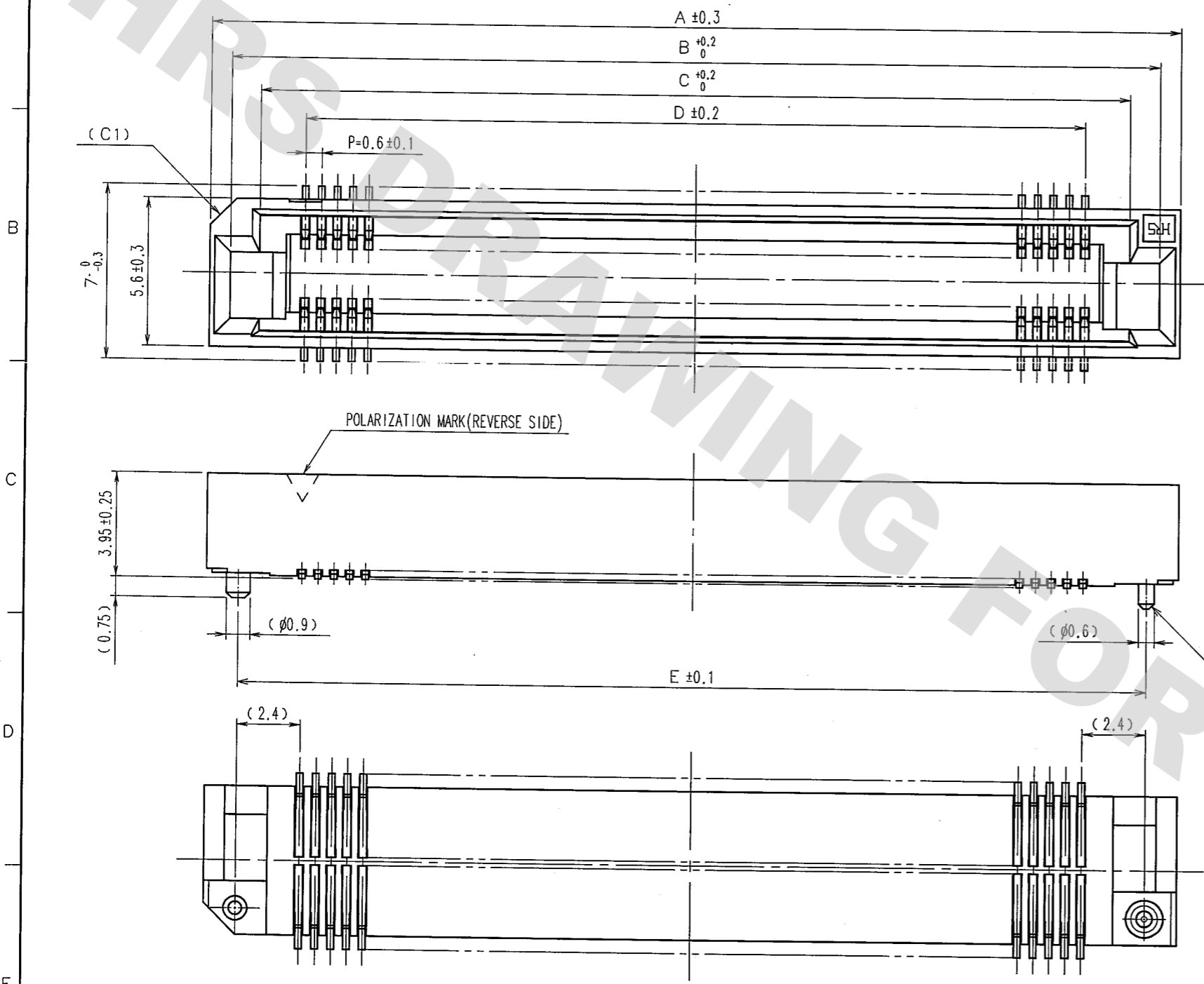
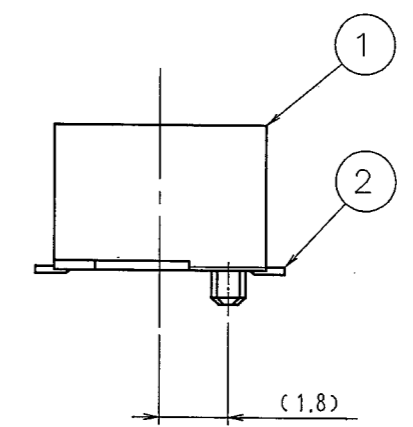
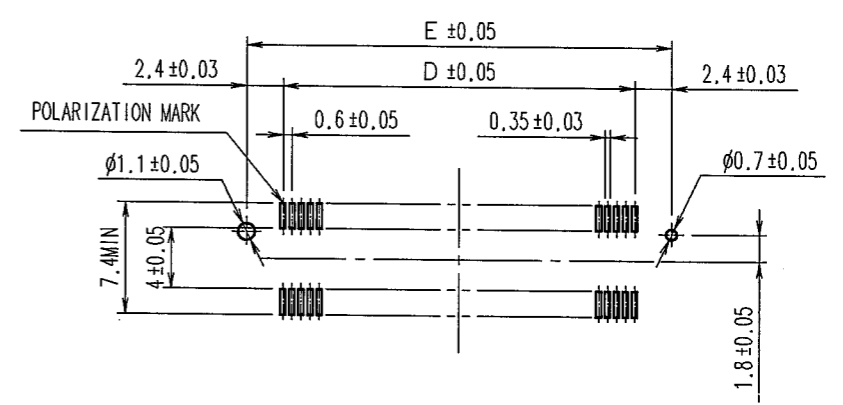


COUNT	DESCRIPTION OF REVISIONS	BY	CHKD	DATE	COUNT	DESCRIPTION OF REVISIONS	BY	CHKD	DATE
△					△				
△					△				
△					△				



RECOMMENDED LAND PATTERN DIMENSION OF PCB(MOUNTING SIDE) (2:1)



CL No.	PART No.	A	B	C	D	E
CL578-0801-2-91	FX8C- 60S-SV(91)	24.6	23.05	20.8	17.4	22.2
CL578-0803-8-91	FX8C- 80S-SV(91)	30.6	29.05	26.8	23.4	28.2
CL578-0805-3-91	FX8C-100S-SV(91)	36.6	35.05	32.8	29.4	34.2
CL578-0806-6-91	FX8C-120S-SV(91)	42.6	41.05	38.8	35.4	40.2
CL578-0807-9-91	FX8C-140S-SV(91)	48.6	47.05	44.8	41.4	46.2

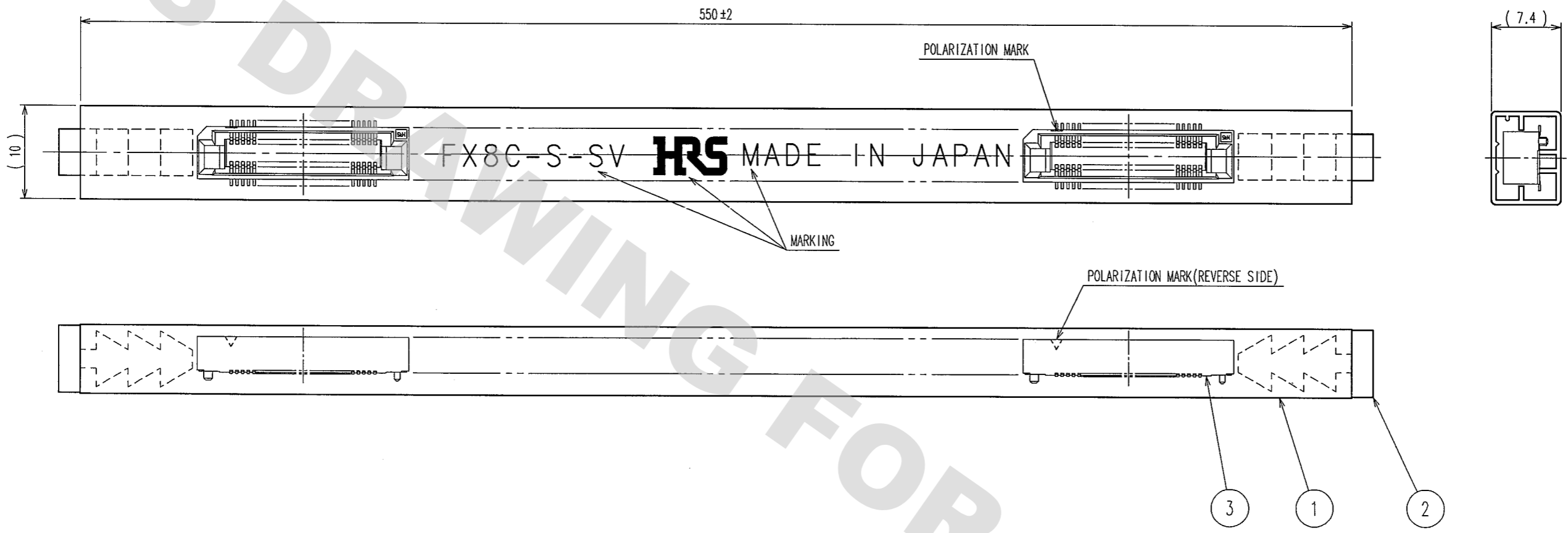
DRAWING FOR REFERENCE: This is subject to change without notice
08/11/2012

- NOTE
- 1 LEAD CO-PLANARITY SHALL BE 0.1 mm MAX.
 - 2 FOR DETAILS,SEE THE SECTION CONCERNING THE DELIVERY FORM ON NEXT PAGE.
 - 3 FOR MODIFICATION,ETC.,PREVENTIVE HOLE FOR SINK MARK MAY BE ADDED DEPENDS ON CIRCUMSTANCES.
 - 4 THE DIMENSIONS IN PARENTHESES ARE FOR REFERENCE.

1	POLYPHENYLENE SULFIDE	LIGHT BROWN	UL94V-0	2	PHOSPHOR BRONZE	CONTACT AREA : GOLD 0.1μm min.
						MOUNTING AREA : GOLD FLASH
						UNDER PLATING : NICKEL 1.5μm min.
NO.	MATERIAL	FINISH, REMARKS		NO.	MATERIAL	FINISH, REMARKS
CODE NO. (OLD)						
			DRAWN	DESIGNED	CHECKED	APPROVED
			T. Noda	K. Doi	H. Okawa	H. Okawa
			'05.03.16	'05.03.16	'05.03.16	'05.03.16
DRAWING NO.				PART NO.		
EDC3-151022-21				FX8C-***S-SV(91)		
SCALE				CODE NO.		
5 : 1				CL578		
UNITS				1/2		
mm				HRS HIROSE ELECTRIC CO., LTD		

TO
PCK

COUNT	DESCRIPTION OF REVISIONS	BY	CHKD	DATE	COUNT	DESCRIPTION OF REVISIONS	BY	CHKD	DATE
△				..	△				..
△				..	△				..
△				..	△				..



DELIVERY FORM(TUBE PACKAGING)

NUMBER OF CONTACTS (CONTACTS)	60	80	100	120	140
PRODUCT CONTENT(PCS)	21	17	14	12	10

NOTE. THE DIMENSIONS IN PARENTHESES ARE FOR PREFERENCE.

2	POLYVINYL CHLORIDE	STOPPER			
1	POLYVINYL CHLORIDE	TUBE	3	(CONNECTOR)	
NO.	MATERIAL	FINISH, REMARKS	NO.	MATERIAL	FINISH, REMARKS
CODE NO. (OLD)			DRAWN T.Noda '05.03.16		
			DESIGNED K. Doi '05.03.16		
			CHECKED H. Okawa '05.03.16		
			APPROVED H. Okawa '05.03.16		
			RELEASED ..		
SCALE FREE		DRAWING NO. EDC3-151022-21		PART NO. FX8C-***S-SV(91)	
UNITS mm		HRS HIROSE ELECTRIC CO., LTD		CODE NO. CL578	

DRAWING FOR REFERENCE: This is subject to change without notice
08/11/2012

TO
PCK



X-ON Electronics

Largest Supplier of Electrical and Electronic Components

Click to view similar products for [Board to Board & Mezzanine Connectors](#) category:

Click to view products by [Hirose](#) manufacturer:

Other Similar products are found below :

[589158040000018](#) [MDF7C-18P-2.54DSA\(55\)](#) [FCN-230C068-11](#) [FCN-268F012-G/BD](#) [FCN-268F036-G/BD](#) [FCN-268M012-G/0D](#) [FCN-268M024-G/1D](#) [FCN-723J004/1](#) [MIS-048-01-F-D-DP-K](#) [832-10-034-10-001000](#) [FX4C-80S-1.27DSA](#) [FCN-214Q030-G/0](#) [FCN-234P048-G/0](#) [FCN-235D050-G/C](#) [210-93-314-41-105000](#) [2-22603-0](#) [MDF7-40DP-2.54DSA\(55\)](#) [AXG720047](#) [MIT-114-03-F-D-K](#) [55323-1519](#) [DF33-2P-3.3DSA\(24\)](#) [YFT-20-05-H-03-SB-K](#) [503308-3040](#) [026-6203-PDB](#) [027-6203-PDB](#) [069159702701000](#) [10123981-102LF](#) [101A10019X](#) [55650-0588-C](#) [68682-310LF](#) [68684-306](#) [75140-7012](#) [87471-650](#) [YTW-30-07-H-Q-410-140](#) [FCN-268F024-G0D](#) [10124054-515LF](#) [68685-603](#) [8-1616154-3](#) [MIS-019-01-F-D](#) [FCN-268M024-G/3D](#) [FCN-268M036-G/BD](#) [20021832-06016C1LF](#) [KX15-20KLDL-E1000E](#) [AXE810124](#) [FCN-214J100-G/0](#) [FCN-230C068-E/S](#) [AXE812124](#) [AXE816124](#) [AXE720127](#) [354184](#)