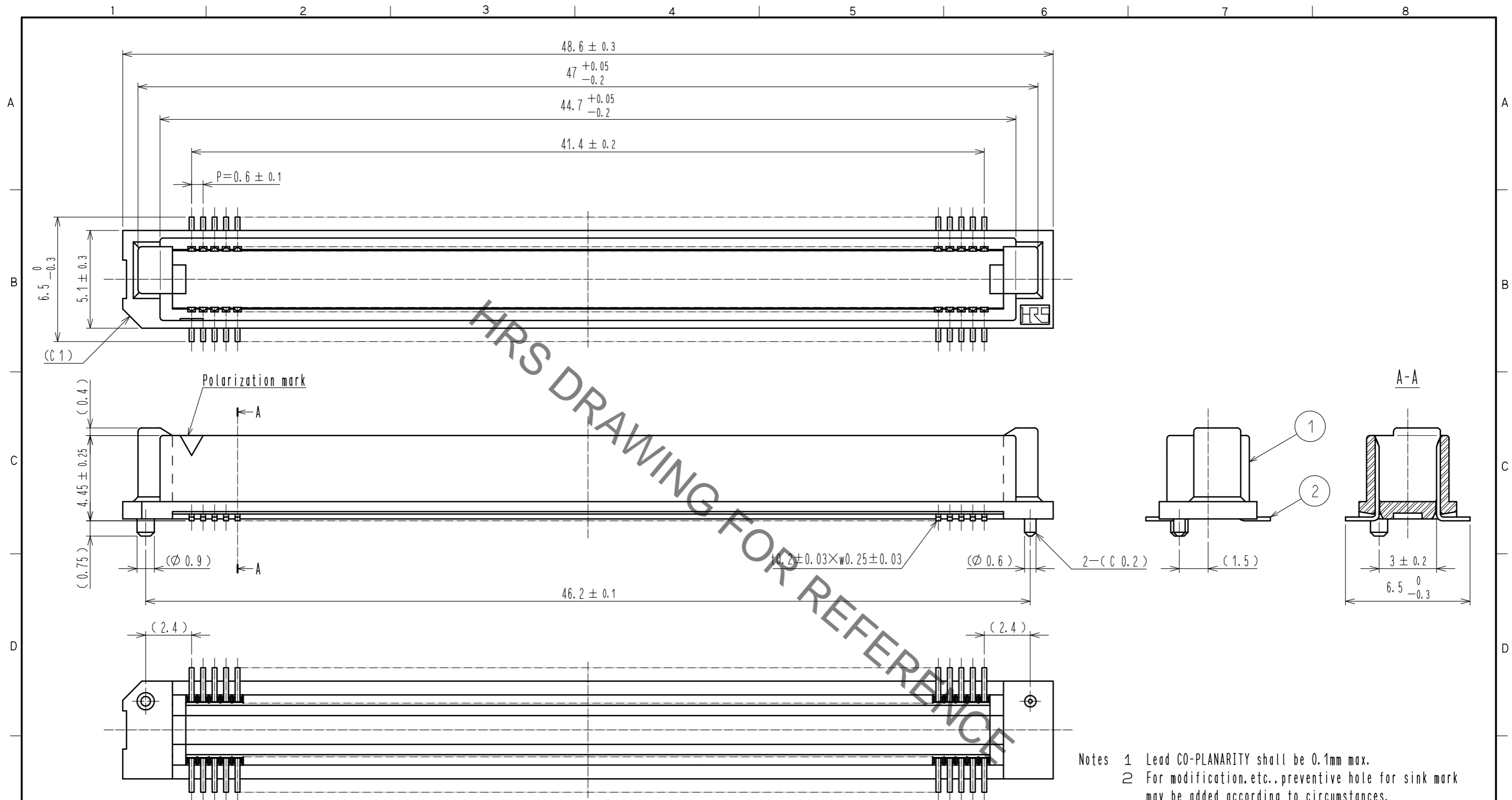
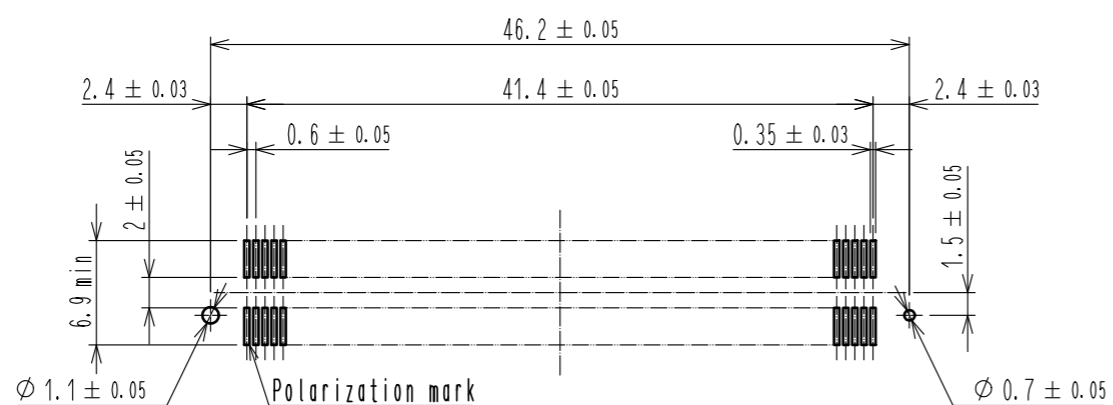


Sep.1.2021 Copyright 2021 HIROSE ELECTRIC CO., LTD. All Rights Reserved.
In case of consideration for using Automotive equipment / device which demand high reliability, kindly contact our sales window correspondents.



- Notes
- 1 Lead CO-PLANARITY shall be 0.1mm max.
 - 2 For modification, etc., preventive hole for sink mark may be added according to circumstances.
 - 3 The dimensions in parentheses are for reference.

Recommended land pattern dimension of PCB (mounting side) (2:1)



1	PPS	Light brown (UL94V-0)	2	PHOSPHOR BRONZE	Contact area : Gold 0.1μm min. Lead area : Gold flash Under plating : Nickel 0.5μm min.
NO.	MATERIAL	FINISH . REMARKS	NO.	MATERIAL	FINISH . REMARKS
UNITS mm		SCALE 5 : 1	COUNT 1	DESCRIPTION OF REVISIONS DIS-F-00006413	DESIGNED KS. NAKAJIMA
HRS HIROSE ELECTRIC CO., LTD.		APPROVED : HS. OKAWA	20051116	DRAWING NO. EDC-150825-71-25	CHECKED HT. YAMAGUCHI
		CHECKED : HS. OZAWA	20051116	PART NO. FX8C-140P-SV(71)	DATE 20200803
		DESIGNED : KY. NAKAMURA	20051116	CODE NO. CL578-0507-5-71	
		DRAWN : KY. NAKAMURA	20051116		

Added precaution

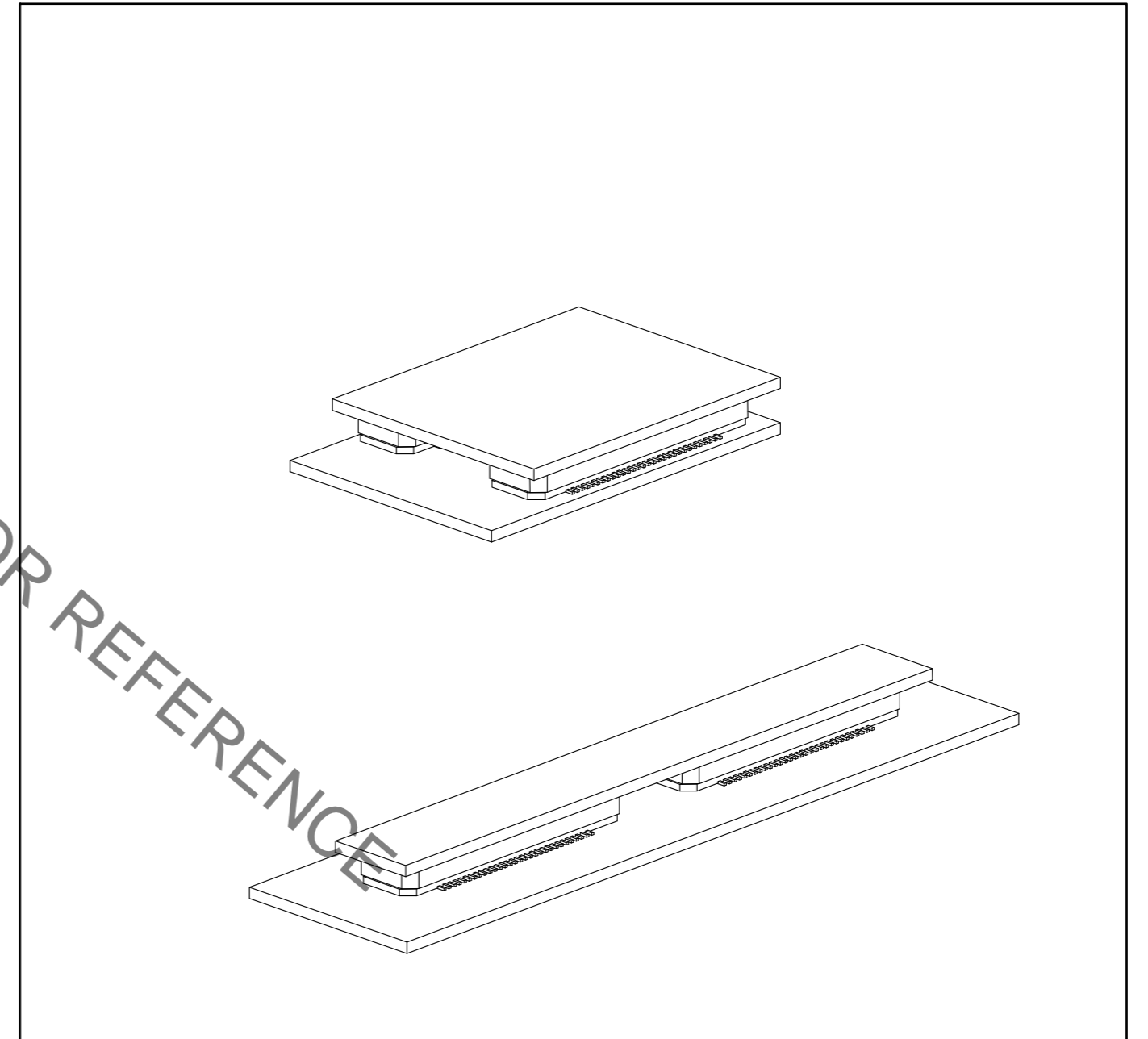
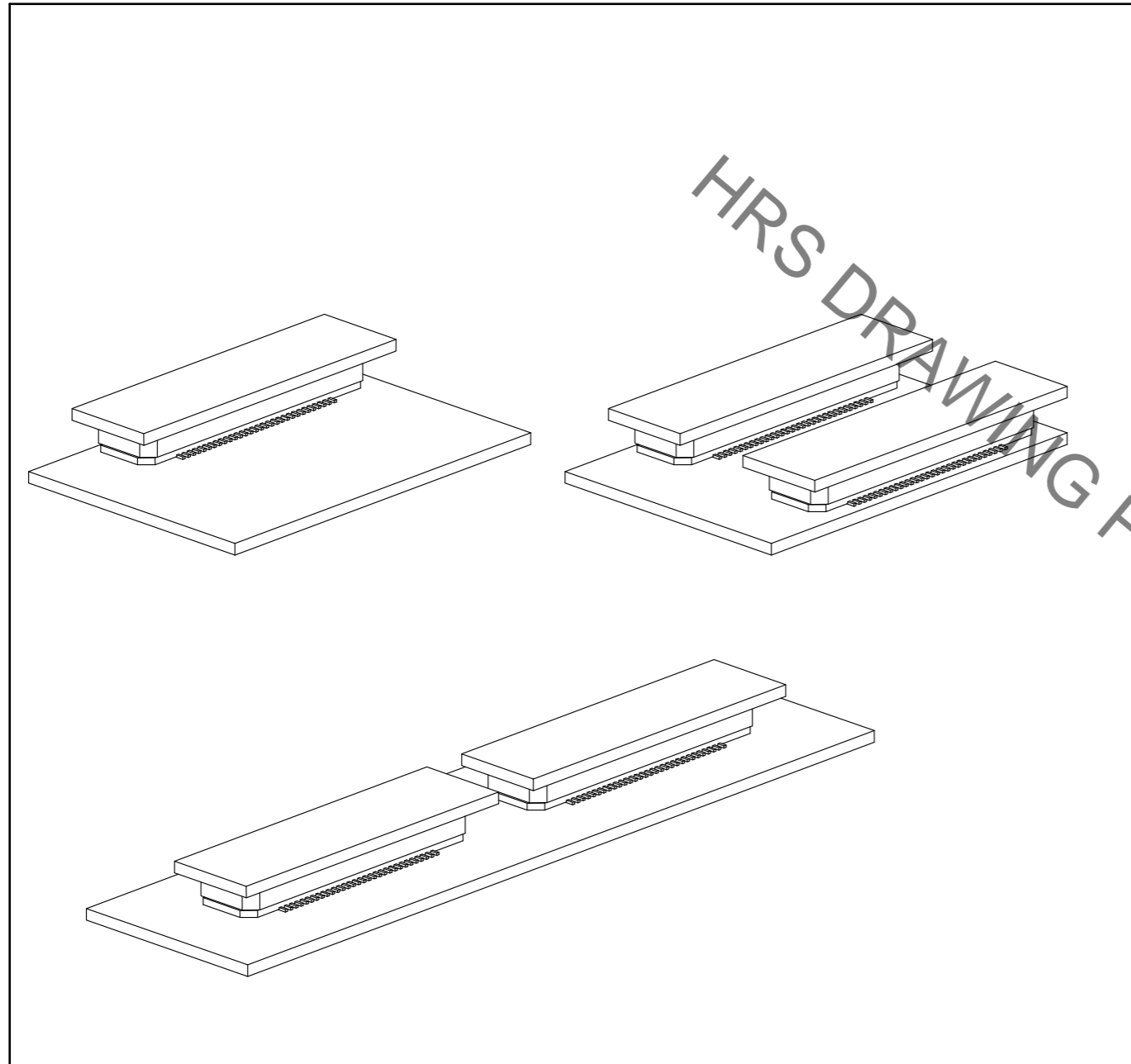
In case of consideration for using Automotive equipment / device which demand high reliability, kindly contact our sales window correspondents.

【 Precaution 】

When a board with multiple connectors mounted is mated, the connector may be damaged or deformed.
Please divide one side of the board so only one connector is mated per board.

OK

NG



HRS DRAWING FOR REFERENCE

HRS	DRAWING NO.	EDC-150825-71-25
	PART NO.	FX8C-140P-SV(71)
	CODE NO.	CL578-0507-5-71
		2/2

X-ON Electronics

Largest Supplier of Electrical and Electronic Components

Click to view similar products for [Board to Board & Mezzanine Connectors](#) category:

Click to view products by [Hirose](#) manufacturer:

Other Similar products are found below :

[589158040000018](#) [MDF7C-18P-2.54DSA\(55\)](#) [FCN-230C068-11](#) [FCN-268F012-G/BD](#) [FCN-268F036-G/BD](#) [FCN-268M012-G/0D](#) [FCN-268M024-G/1D](#) [FCN-723J004/1](#) [MIS-048-01-F-D-DP-K](#) [832-10-034-10-001000](#) [FX4C-80S-1.27DSA](#) [FCN-214Q030-G/0](#) [FCN-234P048-G/0](#) [FCN-235D050-G/C](#) [210-93-314-41-105000](#) [2-22603-0](#) [MDF7-40DP-2.54DSA\(55\)](#) [AXG720047](#) [MIT-114-03-F-D-K](#) [55323-1519](#) [DF33-2P-3.3DSA\(24\)](#) [YFT-20-05-H-03-SB-K](#) [503308-3040](#) [026-6203-PDB](#) [027-6203-PDB](#) [069159702701000](#) [10123981-102LF](#) [101A10019X](#) [55650-0588-C](#) [68682-310LF](#) [68684-306](#) [75140-7012](#) [87471-650](#) [YTW-30-07-H-Q-410-140](#) [FCN-268F024-G0D](#) [10124054-515LF](#) [68685-603](#) [8-1616154-3](#) [MIS-019-01-F-D](#) [FCN-268M024-G/3D](#) [FCN-268M036-G/BD](#) [20021832-06016C1LF](#) [KX15-20KLDL-E1000E](#) [AXE810124](#) [FCN-214J100-G/0](#) [FCN-230C068-E/S](#) [AXE812124](#) [AXE816124](#) [AXE720127](#) [354184](#)