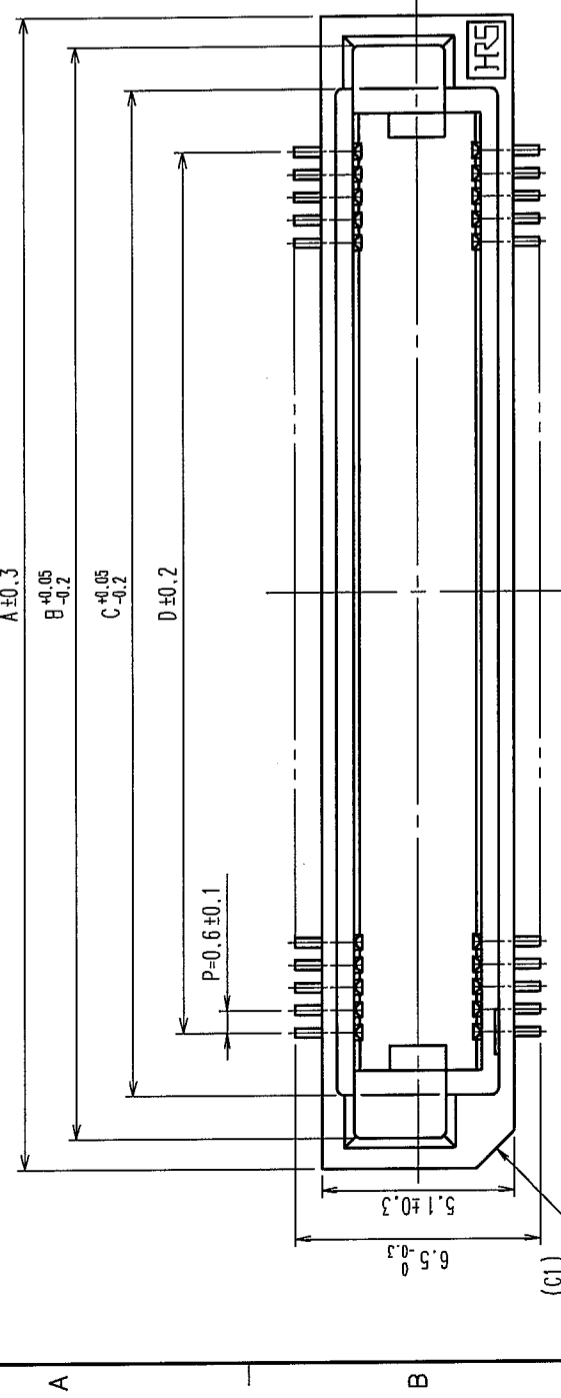
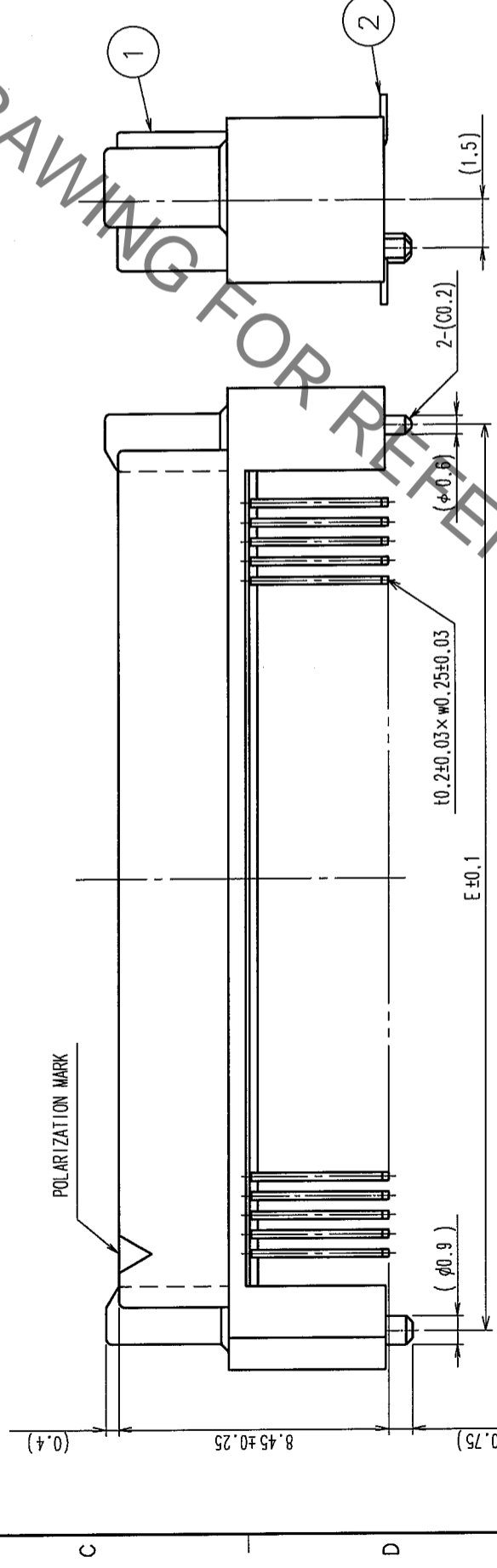
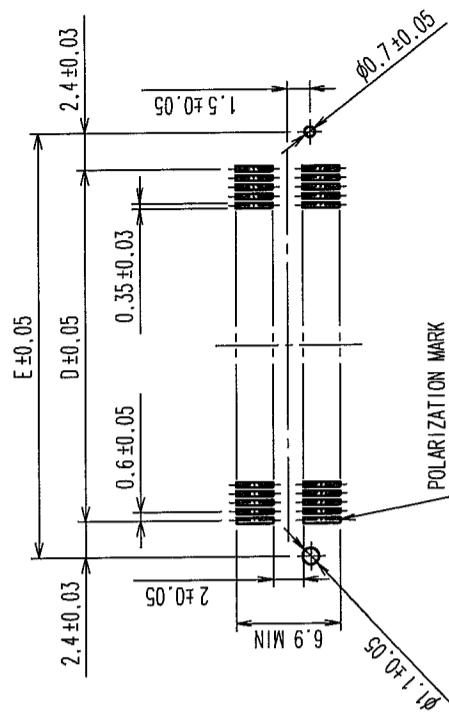


COUNT	DESCRIPTION OF REVISIONS	BY	CHKD	DATE	COUNT	DESCRIPTION OF REVISIONS	BY	CHKD	DATE
3	RE-F-09671	K.N	H.Y	04.04.08					



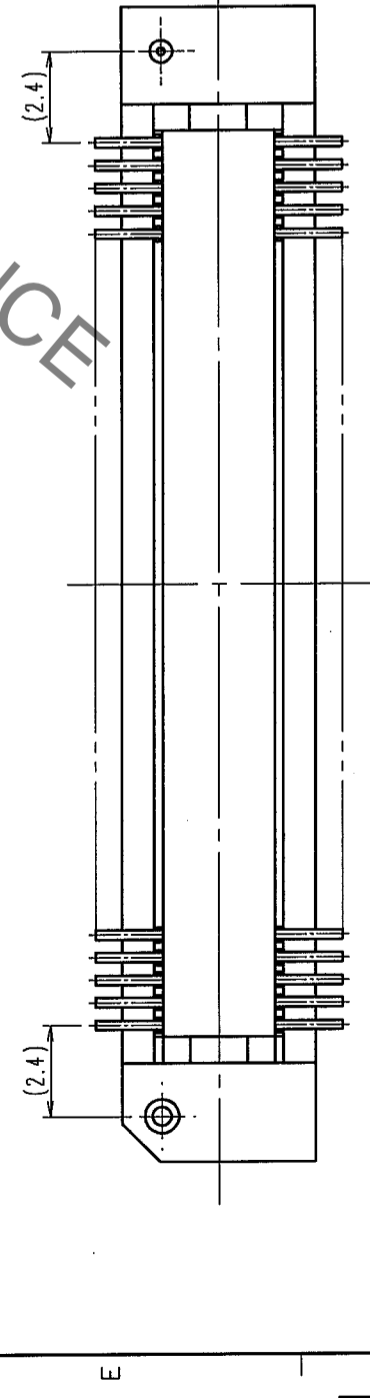
RECOMMENDED LAND PATTERN DIMENSION OF P.C.B. (MOUNTING SIDE)



DIMENSION TABLE OF CONNECTOR AND P.C.B. LAND PATTERN.

PART No.	CODE No.	A	B	C	D	E
FX8C-60P-SV4(92)	CL578-0581-8-92	60	24.60	23.00	20.70	17.40
FX8C-80P-SV4(92)	CL578-0583-3-92	80	30.60	29.00	26.70	23.40
FX8C-100P-SV4(92)	CL578-0585-9-92	100	36.60	35.00	32.70	29.40
FX8C-120P-SV4(92)	CL578-0586-1-92	120	42.60	41.00	38.70	35.40
FX8C-140P-SV4(92)	CL578-0587-4-92	140	48.60	47.00	44.70	41.40

- NOTE 1. LEAD CO-PLANARITY SHALL BE 0.1mm MAX.
 2. EMBOSSED CARRIER TAPE PACKAGING SHALL BE APPLIED FOR THIS PRODUCT. SEE NEXT PAGE FOR DETAILS.
 3. FOR MODIFICATION, ETC., PREVENTIVE HOLE FOR SINK MARK MAY BE ADDED ACCORDING TO CIRCUMSTANCES.
 4. THE DIMENSIONS IN PARENTHESES ARE FOR REFERENCE.
 5 NUMBER OF CONTACTS.



NO.	MATERIAL	FINISH, REMARKS	NO.	MATERIAL	CHECKED	APPROVED	REMARKS
1	PPS	LIGHT BROWN (UL94V-0)	2	PHOSPHOR BRONZE			
CONTACT AREA: GOLD 0.1μm min							
LEAD AREA: TIN-PLATING 1μm min							
UNDER PLATING: NICKEL 1μm min							

NO.	MATERIAL	FINISH, REMARKS	NO.	MATERIAL	DESIGNED	CHECKED	APPROVED	REMARKS
CL								
CL								

DRAWING NO.	PART NO.
EDC3-151089-22	FX8C-**P-SV4(92)

SCALE	UNITS	CODE NO.
FREE	MM	CL578

TO	
PCK	

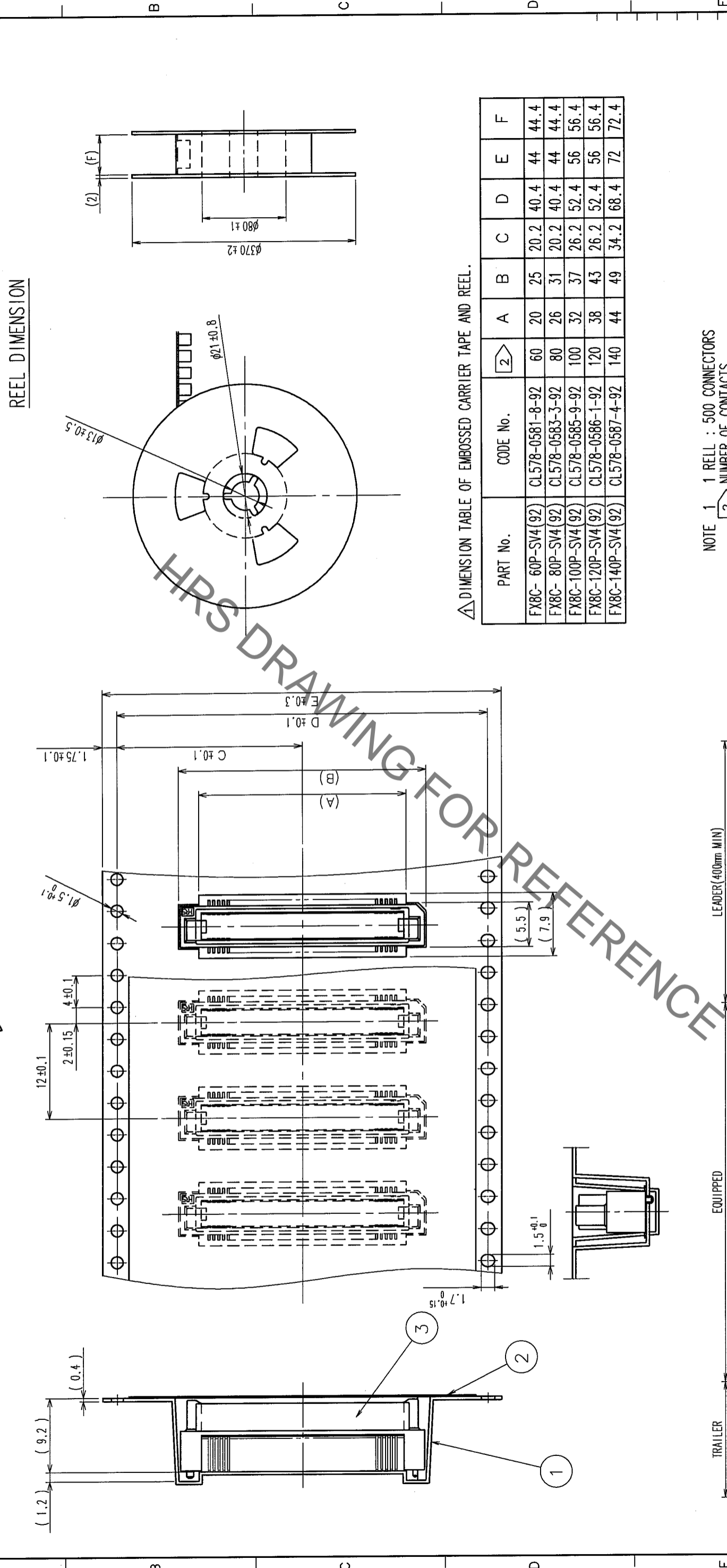
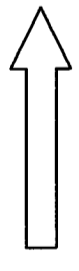
HRS DRAWING FOR REFERENCE

2 In case of consideration for using Automotive equipment / device which demand high reliability, kindly contact our sales window correspondents.

8

COUNT	DESCRIPTION OF REVISIONS	BY	CHKD	DATE	COUNT	DESCRIPTION OF REVISIONS	BY	CHKD	DATE
△					△				
△					△				
△					△				

UNREELING DIRECTION

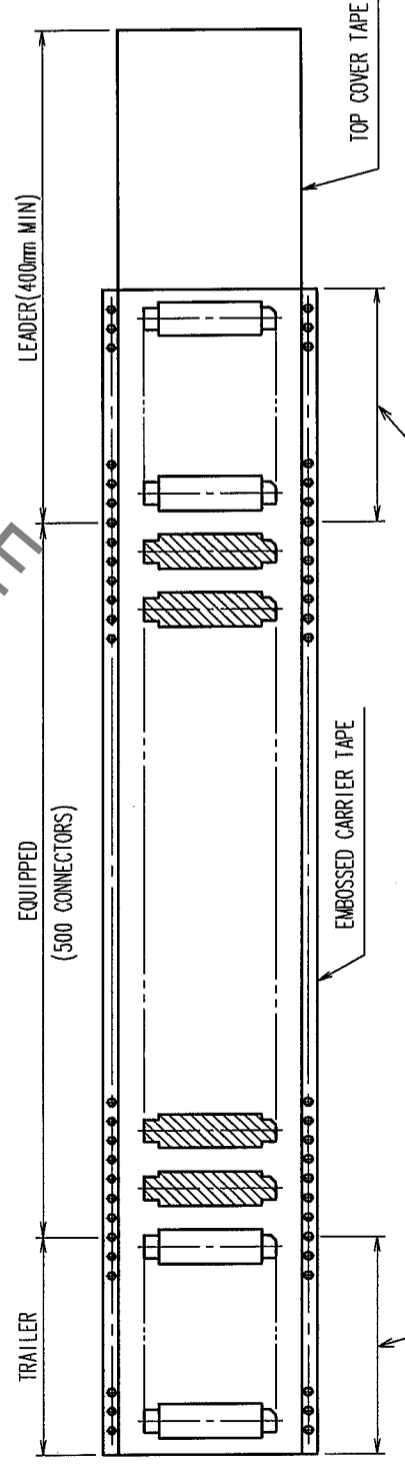


REEL DIMENSION

△ DIMENSION TABLE OF EMBOSSED CARRIER TAPE AND REEL.

PART No.	CODE No.	②	A	B	C	D	E	F
FX8C-60P-SV4(92)	CL578-0581-8-92	60	20	25	20.2	40.4	44	44.4
FX8C-80P-SV4(92)	CL578-0583-3-92	80	26	31	20.2	40.4	44	44.4
FX8C-100P-SV4(92)	CL578-0585-9-92	100	32	37	26.2	52.4	56	56.4
FX8C-120P-SV4(92)	CL578-0586-1-92	120	38	43	26.2	52.4	56	56.4
FX8C-140P-SV4(92)	CL578-0587-4-92	140	44	49	34.2	68.4	72	72.4

NOTE 1 1 REEL : 500 CONNECTORS
 ② NUMBER OF CONTACTS



2 POLYESTER (TOP COVER TAPE)		3 (CONNECTOR)							
NO.	MATERIAL	FINISH, REMARKS	NO.	MATERIAL	DESIGNED	CHECKED	APPROVED	RELEASED	
1	PS/△		3		K. NAKAMURA	H. OKAWA	Y. YOSHIMURA		
CODE NO. (OLD)		DRAWN		DESIGNED		CHECKED		APPROVED	
CL		S. SUZUKI		K. NAKAMURA		H. OKAWA		Y. YOSHIMURA	
		03.02.04		03.02.12		03.02.14		03.02.15	
DRAWING NO.		PART NO.		FINISH, REMARKS		FINISH, REMARKS		FINISH, REMARKS	
EDC3-151089-22		FX8C-**-P-SV4(92)							
SCALE		UNITS		CODE NO.		CODE NO.		CODE NO.	
FREE		IT/IT		HIROSE ELECTRIC CO., LTD		CL578		CL578	

X-ON Electronics

Largest Supplier of Electrical and Electronic Components

Click to view similar products for [Board to Board & Mezzanine Connectors](#) category:

Click to view products by [Hirose](#) manufacturer:

Other Similar products are found below :

[589158040000018](#) [MDF7C-18P-2.54DSA\(55\)](#) [FCN-230C068-11](#) [FCN-268F012-G/BD](#) [FCN-268F036-G/BD](#) [FCN-268M012-G/0D](#) [FCN-268M024-G/1D](#) [FCN-723J004/1](#) [MIS-048-01-F-D-DP-K](#) [832-10-034-10-001000](#) [FX4C-80S-1.27DSA](#) [FCN-214Q030-G/0](#) [FCN-234P048-G/0](#) [FCN-235D050-G/C](#) [210-93-314-41-105000](#) [2-22603-0](#) [MDF7-40DP-2.54DSA\(55\)](#) [AXG720047](#) [MIT-114-03-F-D-K](#) [55323-1519](#) [DF33-2P-3.3DSA\(24\)](#) [YFT-20-05-H-03-SB-K](#) [503308-3040](#) [026-6203-PDB](#) [027-6203-PDB](#) [069159702701000](#) [10123981-102LF](#) [101A10019X](#) [55650-0588-C](#) [68682-310LF](#) [68684-306](#) [75140-7012](#) [87471-650](#) [YTW-30-07-H-Q-410-140](#) [FCN-268F024-G0D](#) [10124054-515LF](#) [68685-603](#) [8-1616154-3](#) [MIS-019-01-F-D](#) [FCN-268M024-G/3D](#) [FCN-268M036-G/BD](#) [20021832-06016C1LF](#) [KX15-20KLDL-E1000E](#) [AXE810124](#) [FCN-214J100-G/0](#) [FCN-230C068-E/S](#) [AXE812124](#) [AXE816124](#) [AXE720127](#) [354184](#)