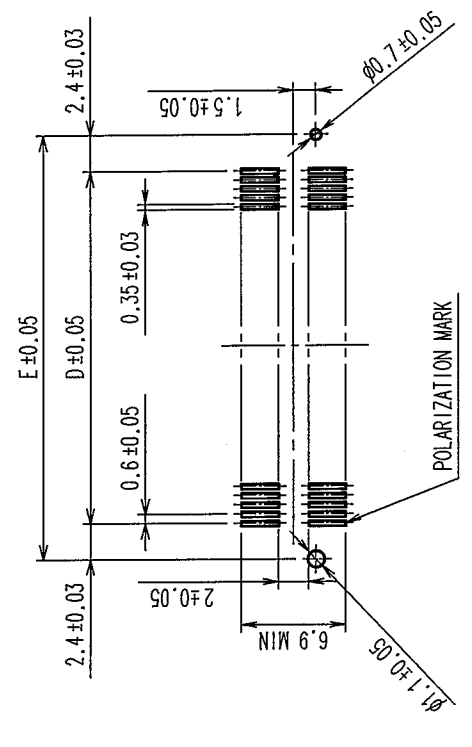


RECOMMENDED LAND PATTERN DIMENSION OF P.C.B. (MOUNTING SIDE)

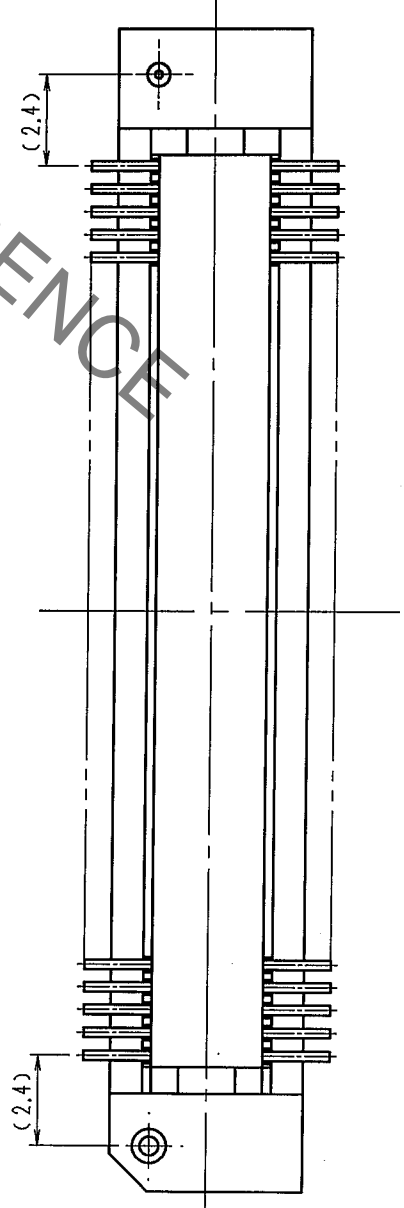
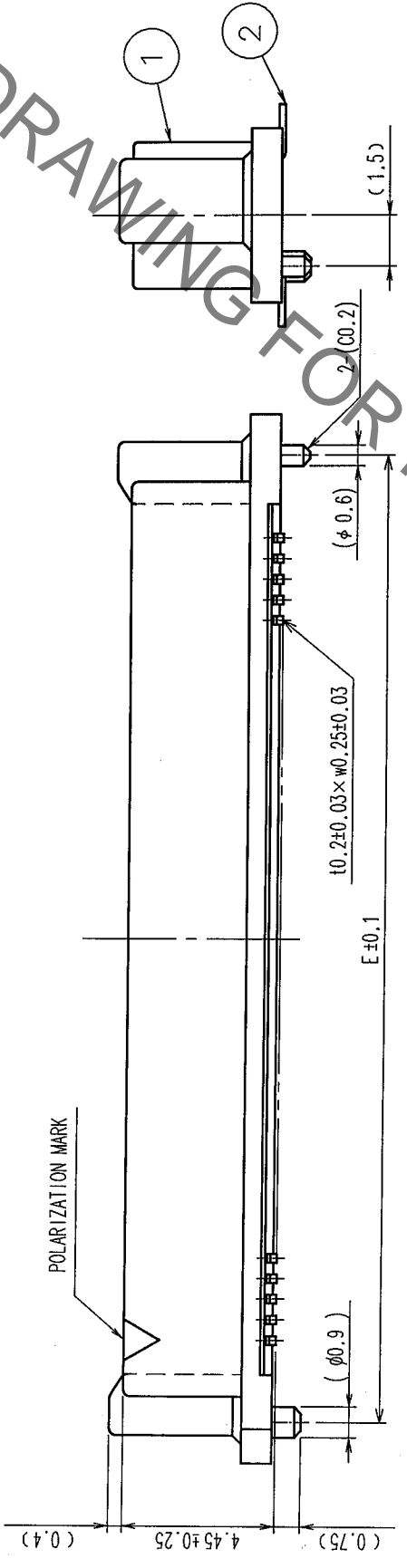
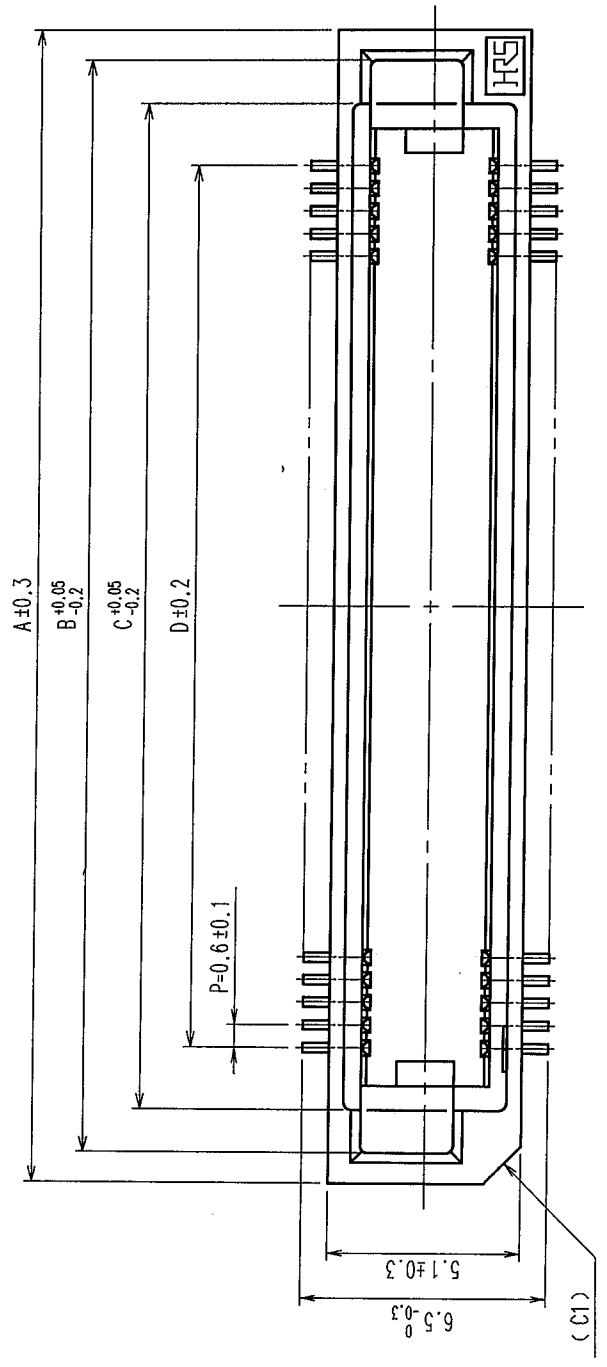


DIMENSION TABLE OF CONNECTOR AND P.C.B. LAND PATTERN.

PART No.	CODE No.	A	B	C	D	E
FX8C-60P-SV(92)	CL578-0501-9-92	60	24.60	23.00	20.70	17.40
FX8C-80P-SV(92)	CL578-0503-4-92	80	30.60	29.00	26.70	23.40
FX8C-100P-SV(92)	CL578-0505-0-92	100	36.60	35.00	32.70	29.40
FX8C-120P-SV(92)	CL578-0506-2-92	120	42.60	41.00	38.70	35.40
FX8C-140P-SV(92)	CL578-0507-5-92	140	48.60	47.00	44.70	41.40

- NOTE 1. LEAD CO-PLANARITY SHALL BE 0.1mm MAX.  
 2. EMBOSSED CARRIER TAPE PACKAGING SHALL BE APPLIED FOR THIS PRODUCT.  
 SEE NEXT PAGE FOR DETAILS.  
 3. FOR MODIFICATION, ETC., PREVENTIVE HOLE FOR SINK MARK MAY BE ADDED ACCORDING TO CIRCUMSTANCES.  
 4. THE DIMENSIONS IN PARENTHESES ARE FOR REFERENCE.  
 [5] NUMBER OF CONTACTS.

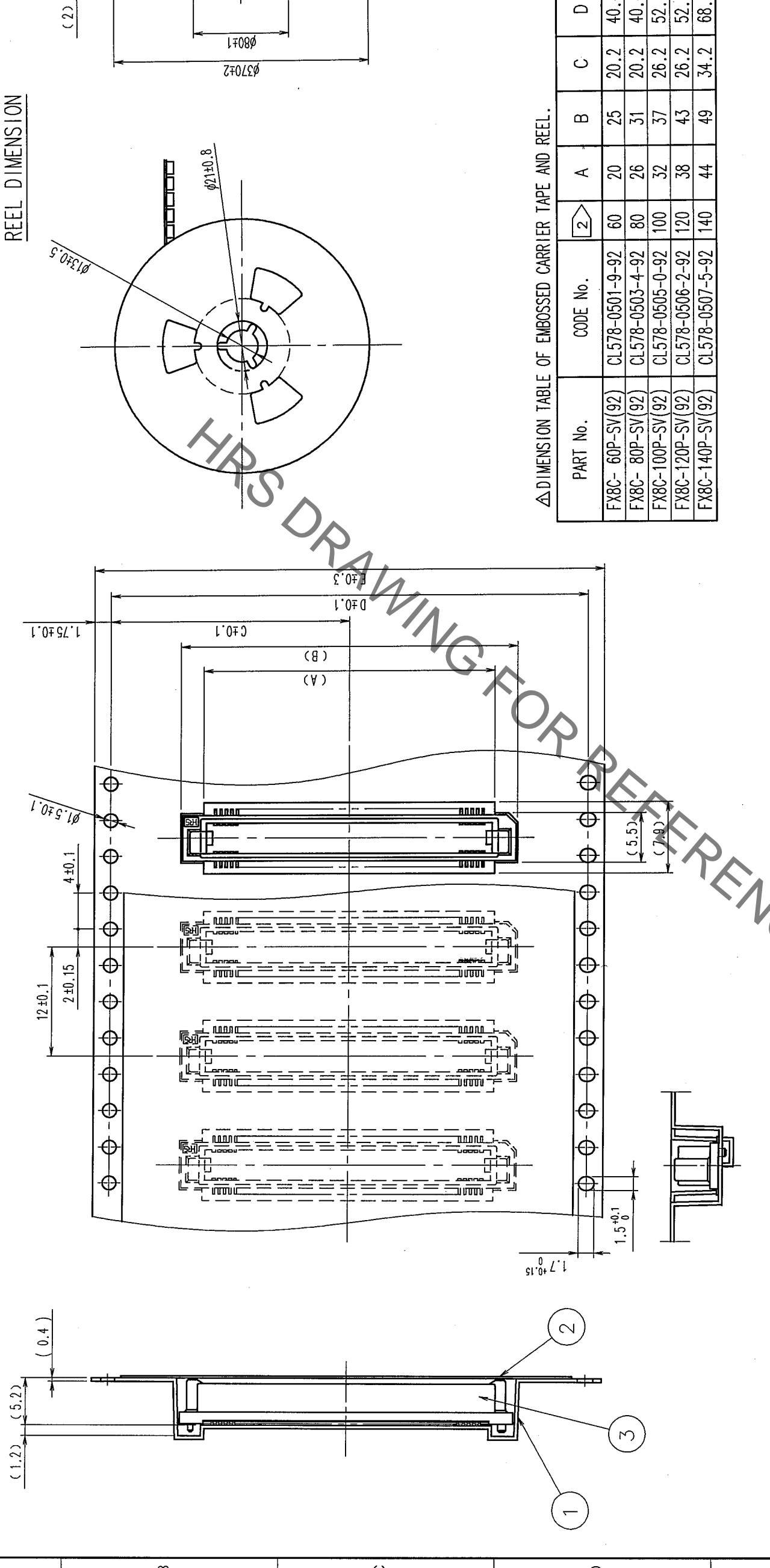
1	POLYPHENYLENE SULFIDE	LIGHT BROWN (UL94V-0)	2	PHOSPHOR BRONZE	CONTACT AREA: GOLD 0.1μm min LEAD AREA: GOLD FLASH UNDER PLATING: NICKEL 0.5μm min
NO.	MATERIAL	FINISH, REMARKS	NO.	MATERIAL	FINISH, REMARKS
CODE NO. (OLD) CL	DRAWN S. SUZUKI	DESIGNED K. NAKAMURA	CHECKED H. OKAWA	APPROVED Y. YOSHIMURA	RELEASED
SCALE FREE	DRAWING NO. EDC3-151020-22		PART NO. FX8C-**-P-SV(92)		
UNITS mm	CODE NO. HRS HIROSE ELECTRIC CO., LTD		CODE NO. CL578		1/2



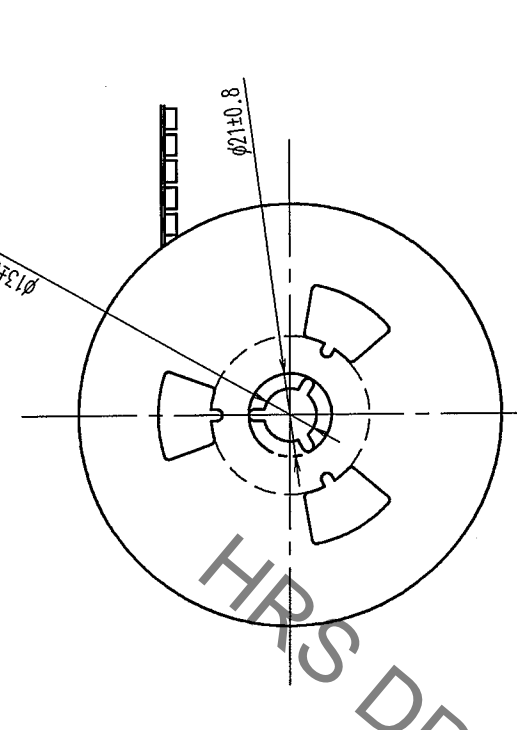
TO  
PCK

COUNT	DESCRIPTION OF REVISIONS	BY	CHKD	DATE	COUNT	DESCRIPTION OF REVISIONS	BY	CHKD	DATE

UNREELING DIRECTION



REEL DIMENSION



△DIMENSION TABLE OF EMBOSSED CARRIER TAPE AND REEL.

PART No.	CODE No.	A	B	C	D	E	F
FX8C-60P-SV(92)	CL578-0501-9-92	20	25	20.2	40.4	44	44.4
FX8C-80P-SV(92)	CL578-0503-4-92	26	31	20.2	40.4	44	44.4
FX8C-100P-SV(92)	CL578-0505-0-92	32	37	26.2	52.4	56	56.4
FX8C-120P-SV(92)	CL578-0506-2-92	38	43	26.2	52.4	56	56.4
FX8C-140P-SV(92)	CL578-0507-5-92	44	49	34.2	68.4	72	72.4

NOTE 1 1 REEL : 1000 CONNECTORS  
 2 NUMBER OF CONTACTS  
 3 THE DIMENSIONS IN PARENTHESES ARE FOR REFERENCE.

2 POLYESTER		3 (CONNECTOR)	
NO.	MATERIAL	FINISH, REMARKS	MATERIAL
1	POLYSTYRENE	(EMBOSSED CARRIER TAPE)	3
NO.	MATERIAL	FINISH, REMARKS	NO.
CODE NO. (OLD)	CL		
DRAWN	S. SUZUKI	DESIGNED	K. NAKAMURA
	03.02.03	CHECKED	H. OKAWA
		APPROVED	Y. YOSHIMURA
		RELEASED	
			03.02.15

SCALE  
FREE

UNITS  
mm

DRAWING NO.  
EDC3-151020-22

PART NO.  
FX8C-\*\*P-SV(92)

CODE NO.  
CL578

HIROSE ELECTRIC CO., LTD

2

8

6

7

5

4

3

2

1

TO  
PCK

10 EMPTY COMPONENT COMPARTMENTS MIN

10 EMPTY COMPONENT COMPARTMENTS MIN

EMBOSSED CARRIER TAPE

LEADER (400mm MIN)

EQUIPPED (1000 CONNECTORS)

TRAILER

TOP COVER TAPE

## X-ON Electronics

Largest Supplier of Electrical and Electronic Components

*Click to view similar products for [Board to Board & Mezzanine Connectors](#) category:*

*Click to view products by [Hirose](#) manufacturer:*

Other Similar products are found below :

[589158040000018](#) [MDF7C-18P-2.54DSA\(55\)](#) [FCN-230C068-11](#) [FCN-268F012-G/BD](#) [FCN-268F036-G/BD](#) [FCN-268M012-G/0D](#) [FCN-268M024-G/1D](#) [FCN-723J004/1](#) [MIS-048-01-F-D-DP-K](#) [832-10-034-10-001000](#) [FX4C-80S-1.27DSA](#) [FCN-214Q030-G/0](#) [FCN-234P048-G/0](#) [FCN-235D050-G/C](#) [210-93-314-41-105000](#) [2-22603-0](#) [MDF7-40DP-2.54DSA\(55\)](#) [AXG720047](#) [MIT-114-03-F-D-K](#) [55323-1519](#) [DF33-2P-3.3DSA\(24\)](#) [YFT-20-05-H-03-SB-K](#) [503308-3040](#) [026-6203-PDB](#) [027-6203-PDB](#) [069159702701000](#) [10123981-102LF](#) [101A10019X](#) [55650-0588-C](#) [68682-310LF](#) [68684-306](#) [75140-7012](#) [87471-650](#) [YTW-30-07-H-Q-410-140](#) [FCN-268F024-G0D](#) [10124054-515LF](#) [68685-603](#) [8-1616154-3](#) [MIS-019-01-F-D](#) [FCN-268M024-G/3D](#) [FCN-268M036-G/BD](#) [20021832-06016C1LF](#) [KX15-20KLDL-E1000E](#) [AXE810124](#) [FCN-214J100-G/0](#) [FCN-230C068-E/S](#) [AXE812124](#) [AXE816124](#) [AXE720127](#) [354184](#)