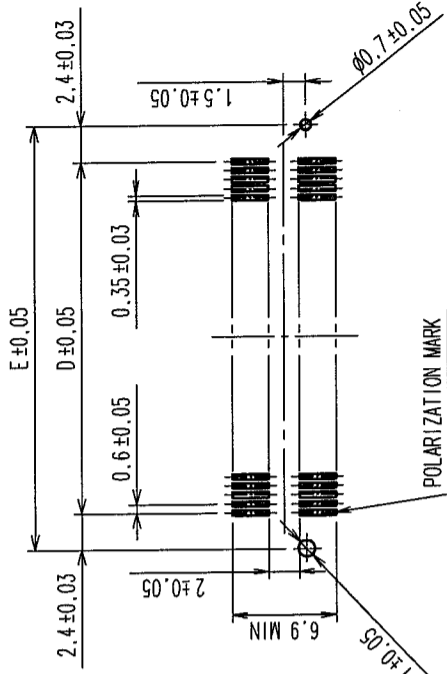


| COUNT | DESCRIPTION OF REVISIONS | BY | CHKD | DATE | COUNT | DESCRIPTION OF REVISIONS | BY | CHKD | DATE |
|-------|--------------------------|-----|------|----------|-------|--------------------------|----|------|------|
| 3 | RE-F-09671 | K.N | H.Y | 04.04.08 | | | | | |
| | | | | | | | | | |
| | | | | | | | | | |

RECOMMENDED LAND PATTERN DIMENSION OF P.C.B. (MOUNTING SIDE)



DIMENSION TABLE OF CONNECTOR AND P.C.B. LAND PATTERN.

| PART No. | CODE No. | 5 | A | B | C | D | E |
|-------------------|-----------------|-----|-------|-------|-------|-------|-------|
| FX8C-60P-SV1(92) | CL578-0521-6-92 | 60 | 24.60 | 23.00 | 20.70 | 17.40 | 22.20 |
| FX8C-80P-SV1(92) | CL578-0523-1-92 | 80 | 30.60 | 29.00 | 26.70 | 23.40 | 28.20 |
| FX8C-100P-SV1(92) | CL578-0525-7-92 | 100 | 36.60 | 35.00 | 32.70 | 29.40 | 34.20 |
| FX8C-120P-SV1(92) | CL578-0526-0-92 | 120 | 42.60 | 41.00 | 38.70 | 35.40 | 40.20 |
| FX8C-140P-SV1(92) | CL578-0527-2-92 | 140 | 48.60 | 47.00 | 44.70 | 41.40 | 46.20 |

- NOTE 1. LEAD CO-PLANARITY SHALL BE 0.1mm MAX.
 2. EMBOSSED CARRIER TAPE PACKAGING SHALL BE APPLIED FOR THIS PRODUCT.
 SEE NEXT PAGE FOR DETAILS.
 3. FOR MODIFICATION, ETC., PREVENTIVE HOLE FOR SINK MARK MAY BE ADDED ACCORDING TO CIRCUMSTANCES.
 4. THE DIMENSIONS IN PARENTHESES ARE FOR REFERENCE.
 5 NUMBER OF CONTACTS.

| NO. | MATERIAL | FINISH, REMARKS | NO. | MATERIAL | FINISH, REMARKS |
|------------------------------|----------|--------------------------------|-----|-------------------------------|-----------------|
| 1 | PPS | LIGHT BROWN (UL94V-0) | 2 | PHOSPHOR BRONZE | |
| CONTACT AREA: GOLD 0.1μm min | | LEAD AREA: TIN-PLATING 1μm min | | UNDER PLATING: NICKEL 1μm min | |

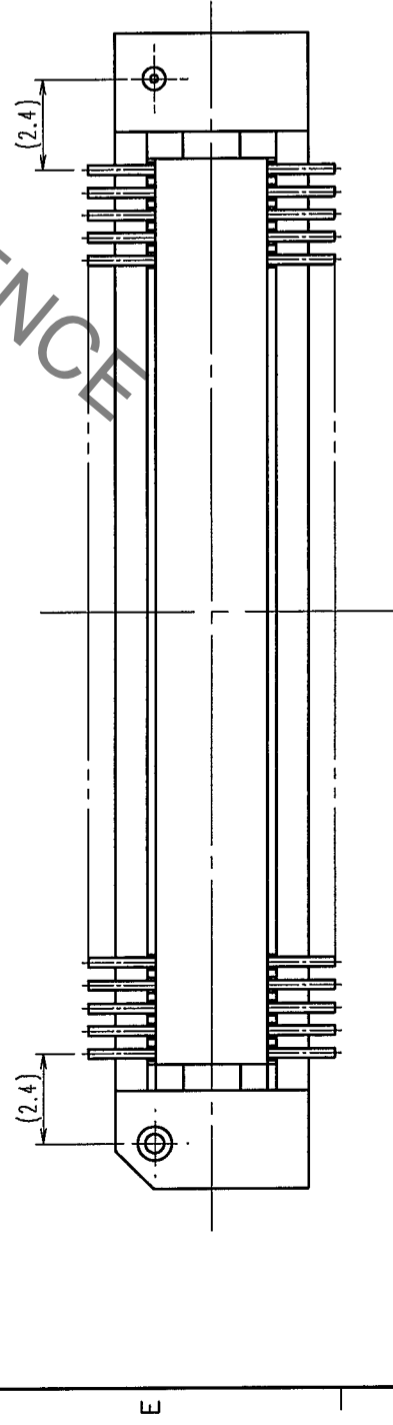
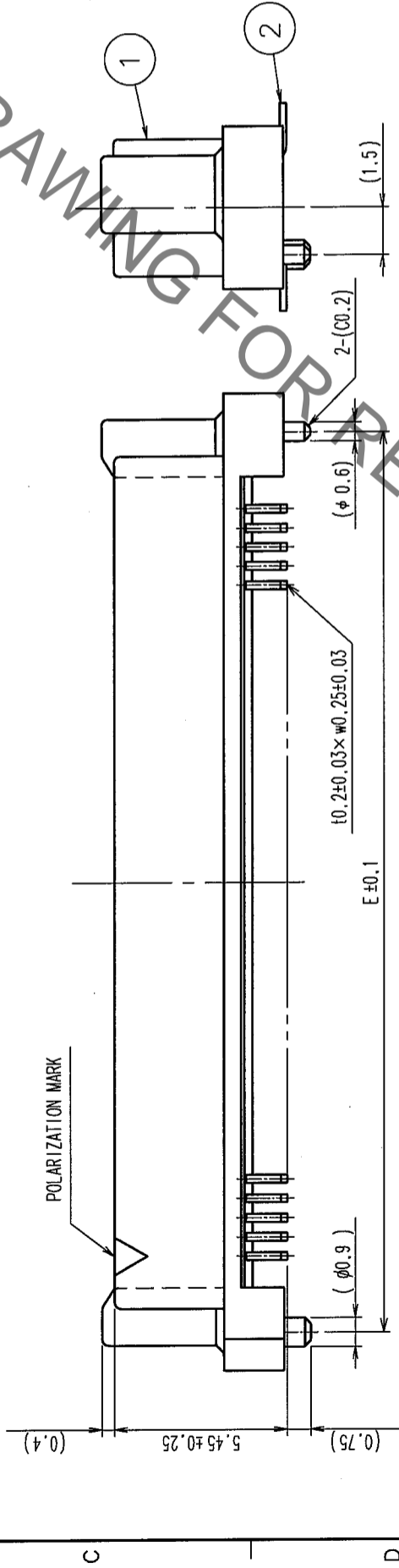
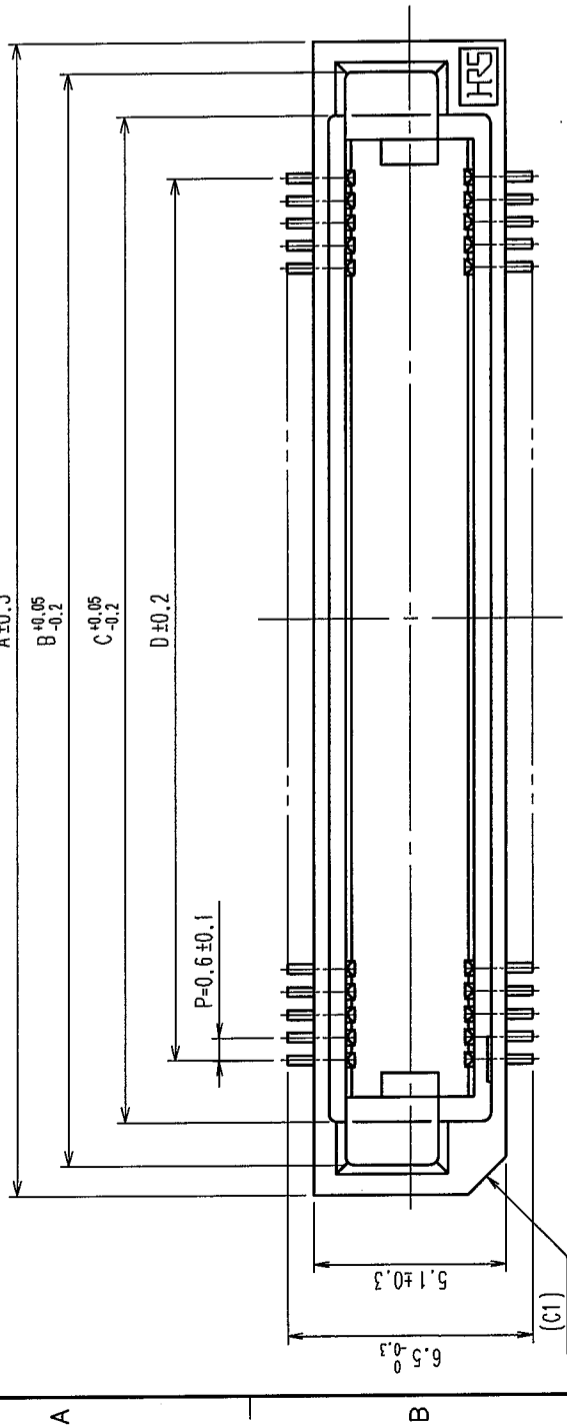
| NO. | MATERIAL | FINISH, REMARKS | NO. | MATERIAL | FINISH, REMARKS |
|-----|----------|-----------------|-----|----------|-----------------|
| CL | CL | | | | |

| SCALE | DRAWING NO. | PART NO. | APPROVED | RELEASED |
|-------|----------------|------------------|--------------|----------|
| FREE | EDC3-151087-22 | FX8C-**P-SV1(92) | Y. YOSHIMURA | |

| DESIGNED | CHECKED | APPROVED | RELEASED |
|-------------|----------|--------------|----------|
| K. NAKAMURA | H. OKAWA | Y. YOSHIMURA | |

| DATE | DATE | DATE | DATE |
|----------|----------|----------|----------|
| 03.02.03 | 03.02.12 | 03.02.14 | 03.02.15 |

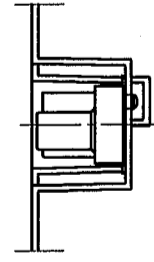
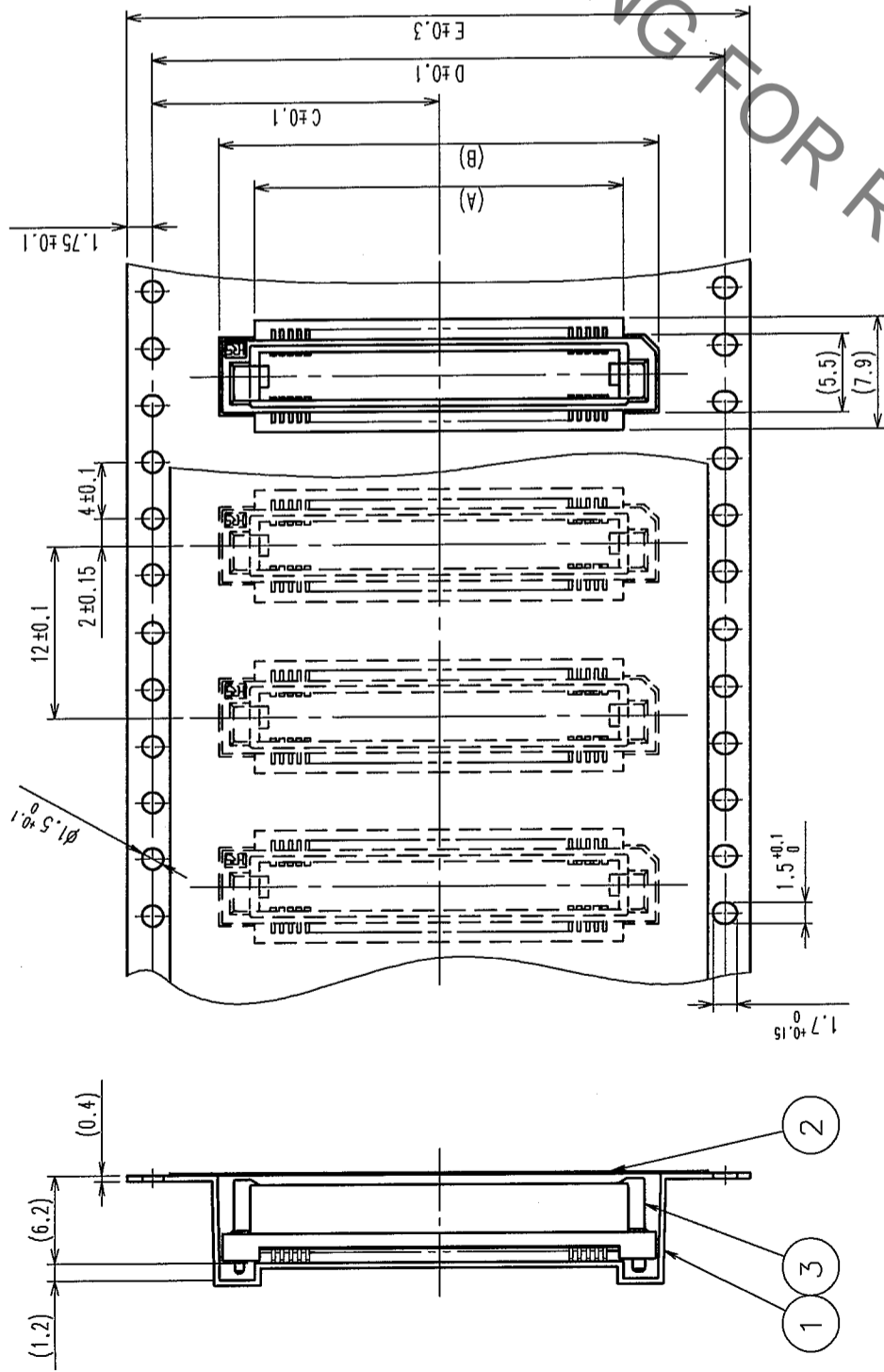
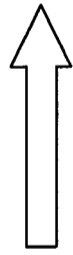
| CODE NO. (OLD) | CODE NO. |
|----------------|----------|
| CL | CL578 |



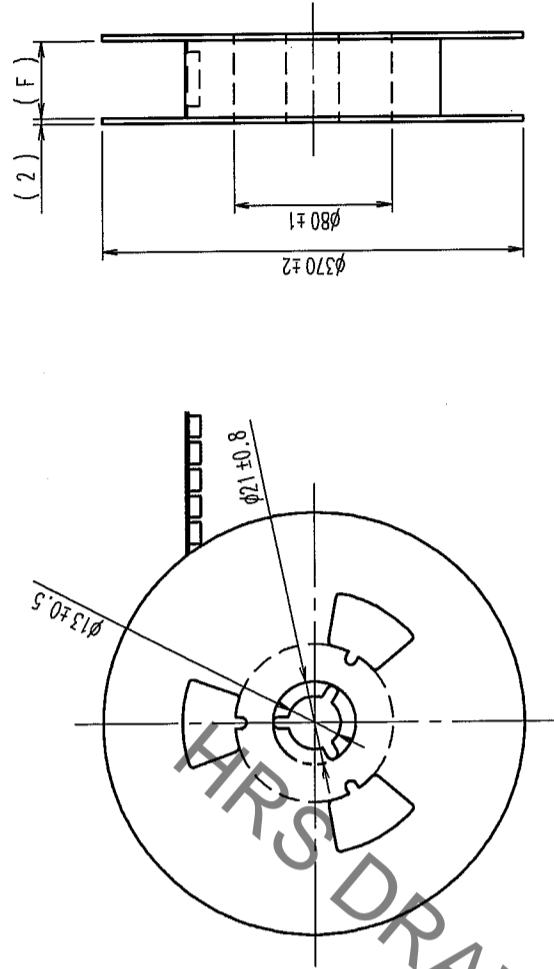
| | |
|-----|--|
| TO | |
| PCK | |

| COUNT | DESCRIPTION OF REVISIONS | BY | CHKD | DATE | COUNT | DESCRIPTION OF REVISIONS | BY | CHKD | DATE |
|-------|--------------------------|----|------|------|-------|--------------------------|----|------|------|
| △ | | | | | △ | | | | |
| △ | | | | | △ | | | | |
| △ | | | | | △ | | | | |

UNREELING DIRECTION



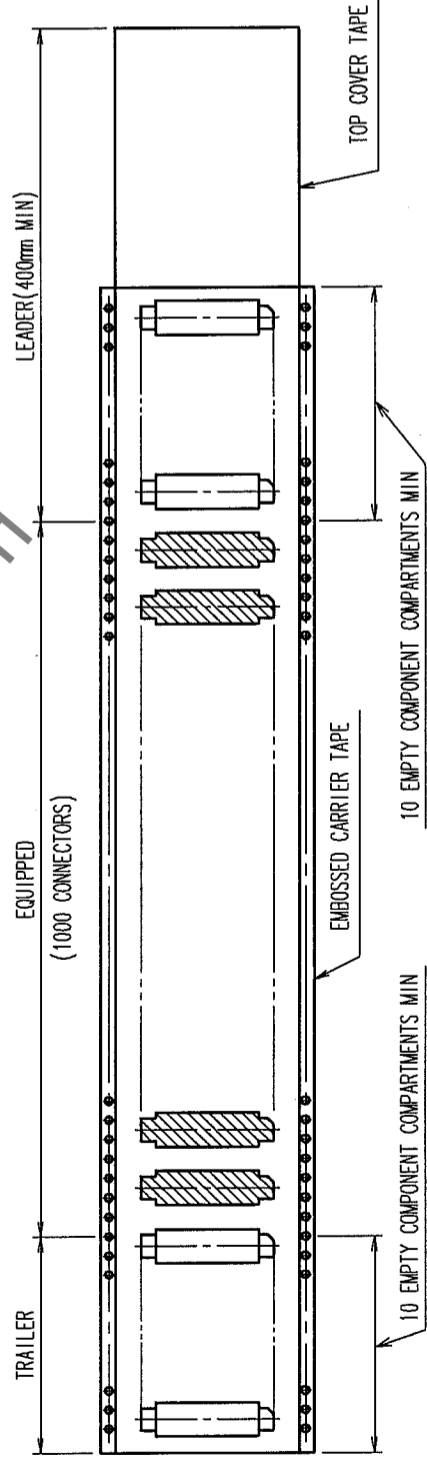
REEL DIMENSION



△ DIMENSION TABLE OF EMBOSSED CARRIER TAPE AND REEL.

| PART No. | CODE No. | 2 | A | B | C | D | E | F |
|-------------------|-----------------|-----|----|----|------|------|----|------|
| FX8C-60P-SV1(92) | CL578-0521-6-92 | 60 | 20 | 25 | 20.2 | 40.4 | 44 | 44.4 |
| FX8C-80P-SV1(92) | CL578-0523-1-92 | 80 | 26 | 31 | 20.2 | 40.4 | 44 | 44.4 |
| FX8C-100P-SV1(92) | CL578-0525-7-92 | 100 | 32 | 37 | 26.2 | 52.4 | 56 | 56.4 |
| FX8C-120P-SV1(92) | CL578-0526-0-92 | 120 | 38 | 43 | 26.2 | 52.4 | 56 | 56.4 |
| FX8C-140P-SV1(92) | CL578-0527-2-92 | 140 | 44 | 49 | 34.2 | 68.4 | 72 | 72.4 |

NOTE 1 1 REEL : 1000 CONNECTORS
 2 NUMBER OF CONTACTS



| | |
|-----|--|
| TO | |
| PCK | |

| 2 POLYESTER | | (TOP COVER TAPE) | | (CONNECTOR) | |
|----------------------|----------|-------------------------------|-----|-------------------------------|---------------------|
| NO. | MATERIAL | FINISH, REMARKS | NO. | MATERIAL | FINISH, REMARKS |
| 1 | PS | | 3 | | |
| CODE NO. (OLD) CL | | DRAWN S. SUZUKI | | DESIGNED K. NAKAMURA | CHECKED H. OKAWA |
| | | 03.02.03 | | 03.02.12 | 03.02.14 |
| | | 03.02.03 | | 03.02.12 | 03.02.15 |
| SCALE FREE | | DRAWING NO. EDC3-151087-22 | | PART NO. FX8C-**-P-SV1(92) | |
| UNITS mm | | HIROSE ELECTRIC CO., LTD | | CODE NO. CL578 | |

X-ON Electronics

Largest Supplier of Electrical and Electronic Components

Click to view similar products for [Board to Board & Mezzanine Connectors](#) category:

Click to view products by [Hirose](#) manufacturer:

Other Similar products are found below :

[589158040000018](#) [MDF7C-18P-2.54DSA\(55\)](#) [FCN-230C068-11](#) [FCN-268F012-G/BD](#) [FCN-268F036-G/BD](#) [FCN-268M012-G/0D](#) [FCN-268M024-G/1D](#) [FCN-723J004/1](#) [MIS-048-01-F-D-DP-K](#) [832-10-034-10-001000](#) [FX4C-80S-1.27DSA](#) [FCN-214Q030-G/0](#) [FCN-234P048-G/0](#) [FCN-235D050-G/C](#) [210-93-314-41-105000](#) [2-22603-0](#) [MDF7-40DP-2.54DSA\(55\)](#) [AXG720047](#) [MIT-114-03-F-D-K](#) [55323-1519](#) [DF33-2P-3.3DSA\(24\)](#) [YFT-20-05-H-03-SB-K](#) [503308-3040](#) [026-6203-PDB](#) [027-6203-PDB](#) [069159702701000](#) [10123981-102LF](#) [101A10019X](#) [55650-0588-C](#) [68682-310LF](#) [68684-306](#) [75140-7012](#) [87471-650](#) [YTW-30-07-H-Q-410-140](#) [FCN-268F024-G0D](#) [10124054-515LF](#) [68685-603](#) [8-1616154-3](#) [MIS-019-01-F-D](#) [FCN-268M024-G/3D](#) [FCN-268M036-G/BD](#) [20021832-06016C1LF](#) [KX15-20KLDL-E1000E](#) [AXE810124](#) [FCN-214J100-G/0](#) [FCN-230C068-E/S](#) [AXE812124](#) [AXE816124](#) [AXE720127](#) [354184](#)