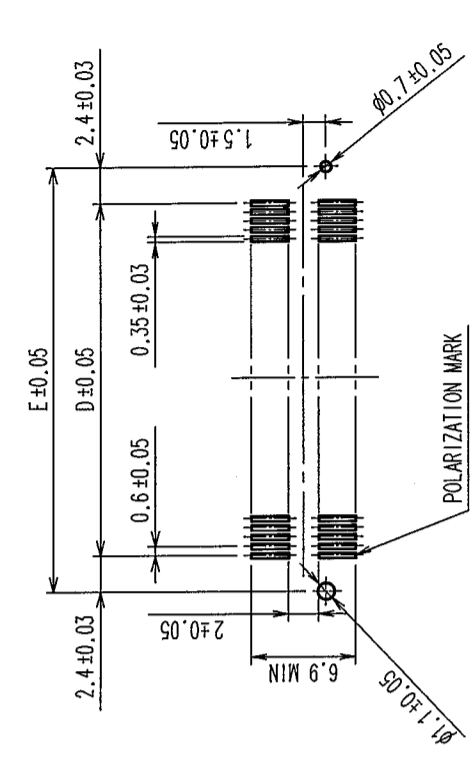


COUNT	DESCRIPTION OF REVISIONS	BY	CHKD	DATE	COUNT	DESCRIPTION OF REVISIONS	BY	CHKD	DATE
3	RE-F-09671	K.N	H.Y	04.04.08					
1	RE-F-10252	K.D	H.O	04.12.06					

RECOMMENDED LAND PATTERN DIMENSION OF P.C.B. (MOUNTING SIDE)

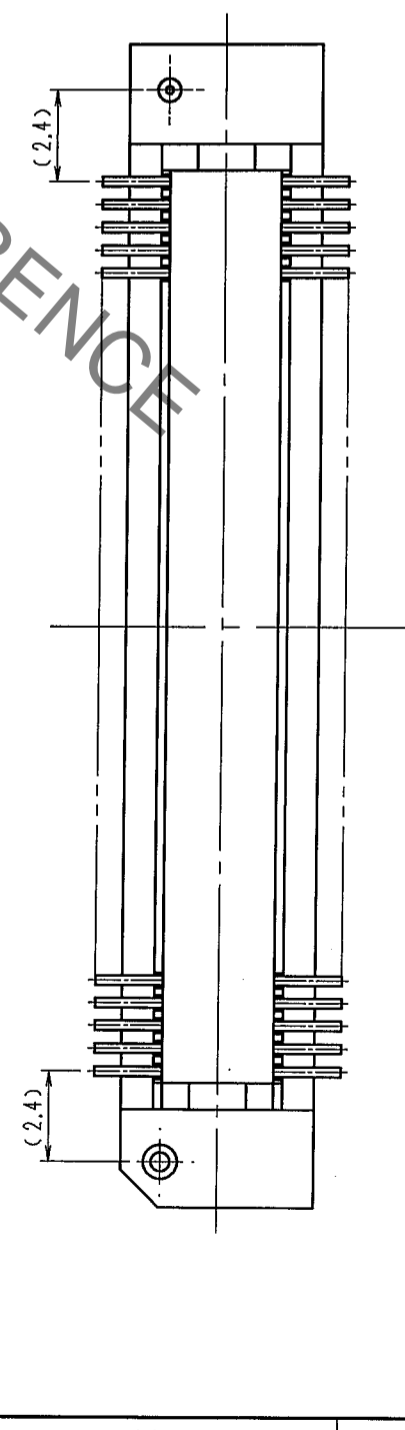
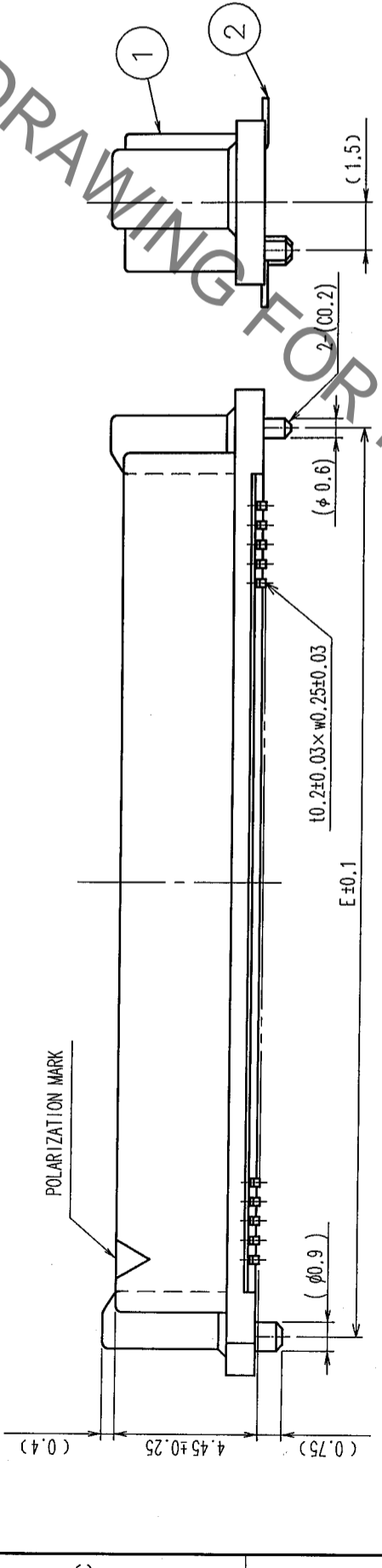
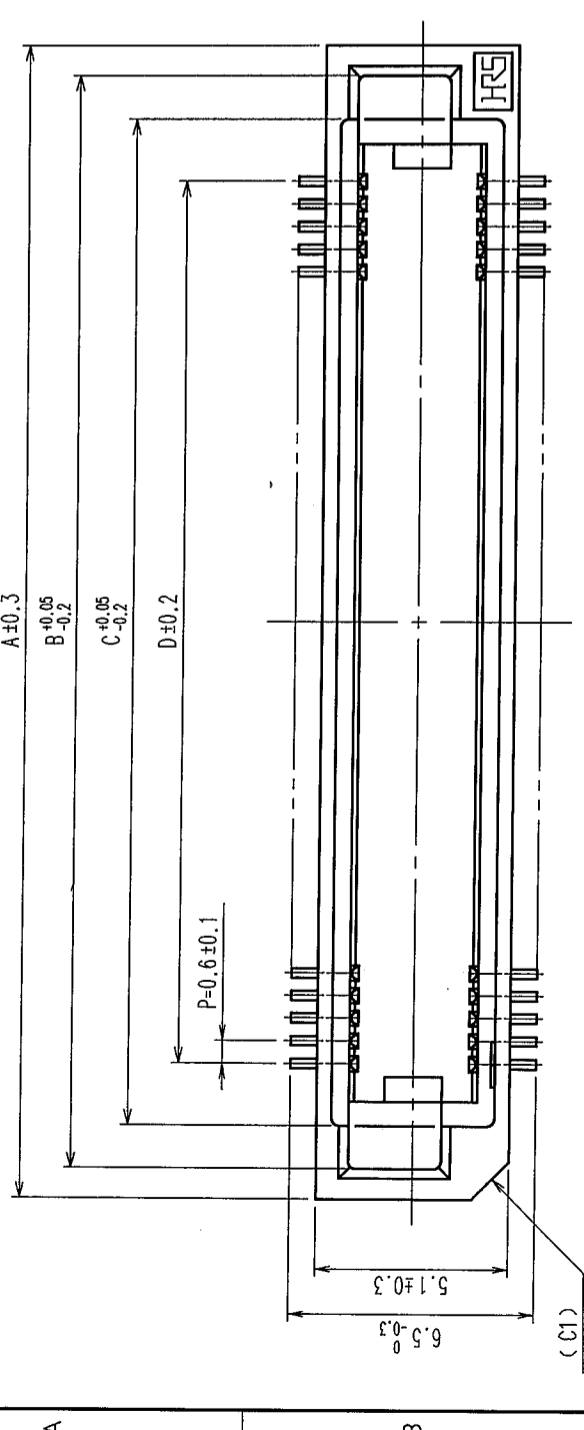


DIMENSION TABLE OF CONNECTOR AND P.C.B. LAND PATTERN.

PART No.	CODE No.	5	A	B	C	D	E
FX8C-60P-SV(92)	CL578-0501-9-92	60	24.60	23.00	20.70	17.40	22.20
FX8C-80P-SV(92)	CL578-0503-4-92	80	30.60	29.00	26.70	23.40	28.20
FX8C-100P-SV(92)	CL578-0505-0-92	100	36.60	35.00	32.70	29.40	34.20
FX8C-120P-SV(92)	CL578-0506-2-92	120	42.60	41.00	38.70	35.40	40.20
FX8C-140P-SV(92)	CL578-0507-5-92	140	48.60	47.00	44.70	41.40	46.20

- NOTE 1. LEAD CO-PLANARITY SHALL BE 0.1mm MAX.  
 2. EMBOSSED CARRIER TAPE PACKAGING SHALL BE APPLIED FOR THIS PRODUCT.  
 SEE NEXT PAGE FOR DETAILS.  
 3. FOR MODIFICATION, ETC., PREVENTIVE HOLE FOR SINK MARK MAY BE ADDED ACCORDING TO CIRCUMSTANCES.  
 4. THE DIMENSIONS IN PARENTHESES ARE FOR REFERENCE.  
 [5] NUMBER OF CONTACTS.

1	POLYPHENYLENE SULFIDE	LIGHT BROWN (UL94V-0)	2	PHOSPHOR BRONZE	CONTACT AREA: GOLD 0.1μm min LEAD AREA: GOLD FLASH UNDER PLATING: NICKEL 0.5μm min
NO.	MATERIAL	FINISH, REMARKS	NO.	MATERIAL	FINISH, REMARKS
CODE NO. (OLD) CL		DRAWN S. SUZUKI	DESIGNED K. NAKAMURA	CHECKED H. OKAWA	APPROVED Y. YOSHIMURA
		03.02.03	03.02.12	03.02.14	03.02.15
DRAWING NO. EDC3-151020-22		PART NO. FX8C-**-P-SV(92)			
SCALE FREE	CODE NO. CL578				
UNITS mm	HIROSE ELECTRIC CO., LTD				

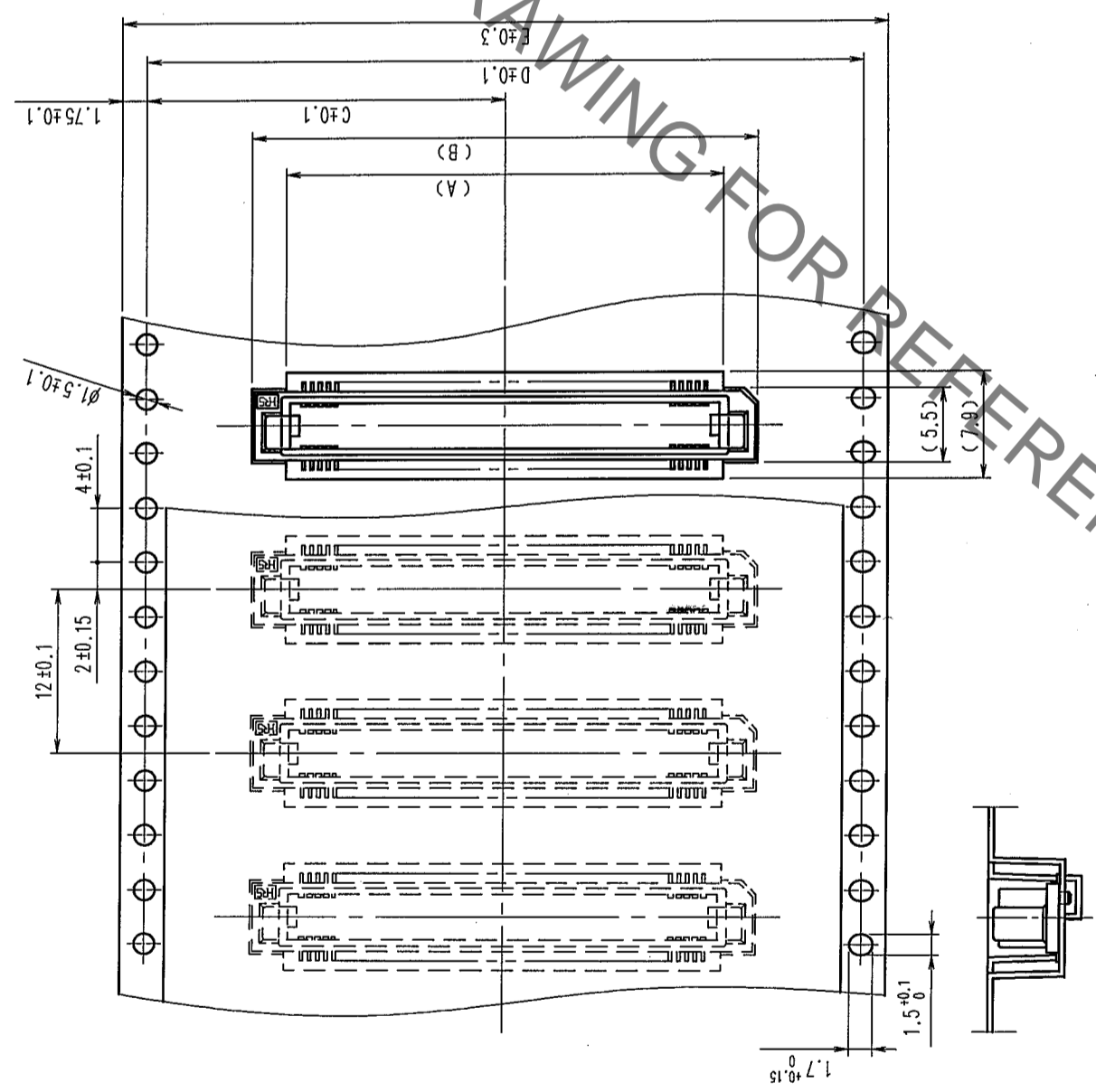
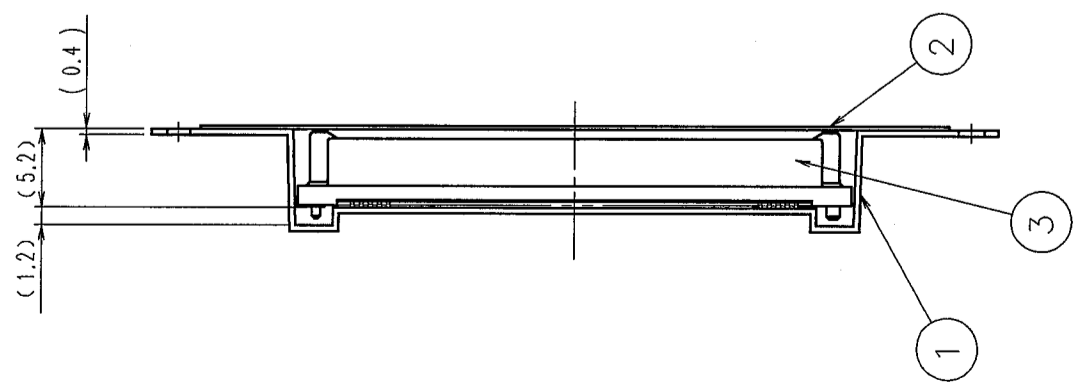


TO	
PCK	

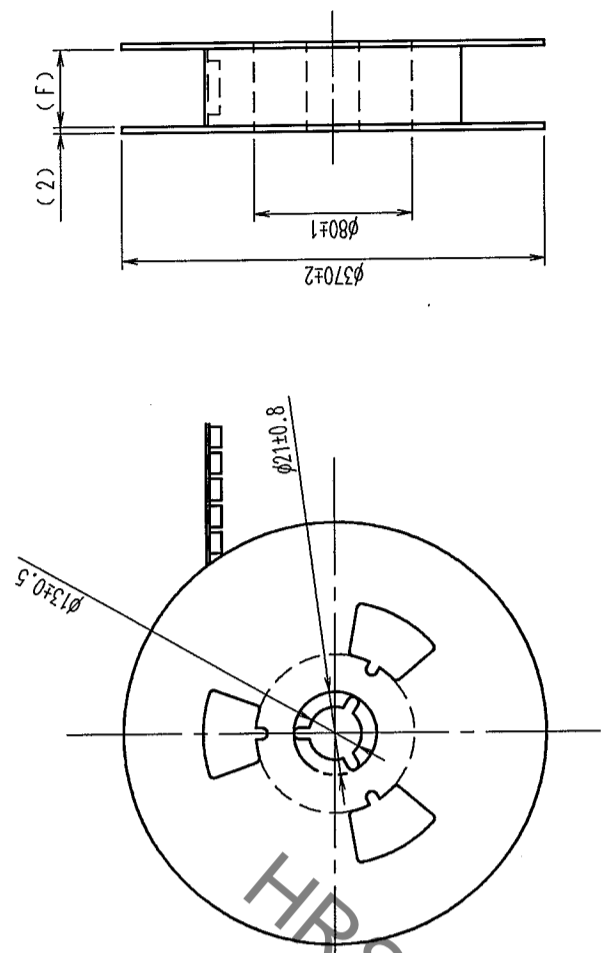
3. Sep.1.2021 Copyright 2021 HIROSE ELECTRIC CO., LTD. All Rights Reserved.  
 2 In case of consideration for using Automotive equipment / device which demand high reliability, kindly contact our sales window correspondents.

6  
 7  
 8

COUNT	DESCRIPTION OF REVISIONS	BY	CHKD	DATE	COUNT	DESCRIPTION OF REVISIONS	BY	CHKD	DATE



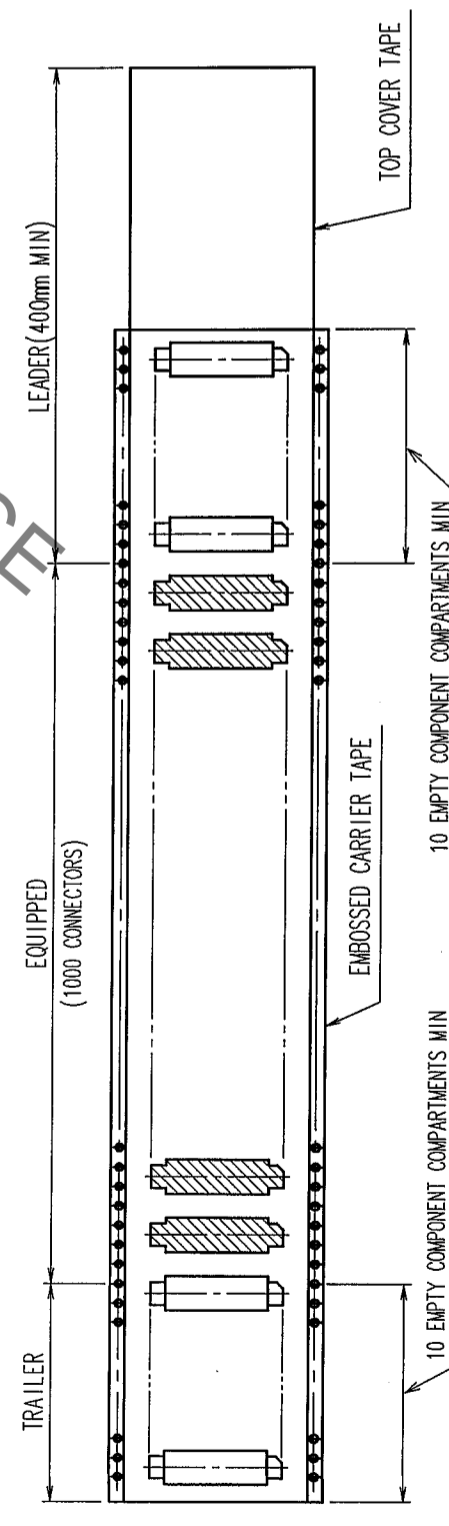
REEL DIMENSION



△DIMENSION TABLE OF EMBOSSED CARRIER TAPE AND REEL.

PART No.	CODE No.	2	A	B	C	D	E	F
FX8C-60P-SV(92)	CL578-0501-9-92	60	20	25	20.2	40.4	44	44.4
FX8C-80P-SV(92)	CL578-0503-4-92	80	26	31	20.2	40.4	44	44.4
FX8C-100P-SV(92)	CL578-0505-0-92	100	32	37	26.2	52.4	56	56.4
FX8C-120P-SV(92)	CL578-0506-2-92	120	38	43	26.2	52.4	56	56.4
FX8C-140P-SV(92)	CL578-0507-5-92	140	44	49	34.2	68.4	72	72.4

NOTE 1 1 REEL : 1000 CONNECTORS  
 2 NUMBER OF CONTACTS  
 3 THE DIMENSIONS IN PARENTHESES ARE FOR REFERENCE.



2 POLYESTER		3 (CONNECTOR)						
1 POLYSTYRENE (EMBOSSED CARRIER TAPE)		3 (CONNECTOR)						
NO.	MATERIAL	FINISH, REMARKS	NO.	MATERIAL	DESIGNED	CHECKED	APPROVED	RELEASED
CL	CL				S.SUZUKI	H.OKAWA	Y.YOSHIMURA	
					03.02.03	03.02.12	03.02.14	03.02.15
DRAWING NO.		PART NO.		FX8C-**P-SV(92)				
SCALE		EDC3-151020-22						
UNITS		FREE						
ITM								
		HIROSE ELECTRIC CO., LTD		CL578				

TO  
 PCK

## X-ON Electronics

Largest Supplier of Electrical and Electronic Components

*Click to view similar products for [Board to Board & Mezzanine Connectors](#) category:*

*Click to view products by [Hirose](#) manufacturer:*

Other Similar products are found below :

[589158040000018](#) [MDF7C-18P-2.54DSA\(55\)](#) [FCN-230C068-11](#) [FCN-268F012-G/BD](#) [FCN-268F036-G/BD](#) [FCN-268M012-G/0D](#) [FCN-268M024-G/1D](#) [FCN-723J004/1](#) [MIS-048-01-F-D-DP-K](#) [832-10-034-10-001000](#) [FX4C-80S-1.27DSA](#) [FCN-214Q030-G/0](#) [FCN-234P048-G/0](#) [FCN-235D050-G/C](#) [210-93-314-41-105000](#) [2-22603-0](#) [MDF7-40DP-2.54DSA\(55\)](#) [AXG720047](#) [MIT-114-03-F-D-K](#) [55323-1519](#) [DF33-2P-3.3DSA\(24\)](#) [YFT-20-05-H-03-SB-K](#) [503308-3040](#) [026-6203-PDB](#) [027-6203-PDB](#) [069159702701000](#) [10123981-102LF](#) [101A10019X](#) [55650-0588-C](#) [68682-310LF](#) [68684-306](#) [75140-7012](#) [87471-650](#) [YTW-30-07-H-Q-410-140](#) [FCN-268F024-G0D](#) [10124054-515LF](#) [68685-603](#) [8-1616154-3](#) [MIS-019-01-F-D](#) [FCN-268M024-G/3D](#) [FCN-268M036-G/BD](#) [20021832-06016C1LF](#) [KX15-20KLDL-E1000E](#) [AXE810124](#) [FCN-214J100-G/0](#) [FCN-230C068-E/S](#) [AXE812124](#) [AXE816124](#) [AXE720127](#) [354184](#)