

2. In case of consideration for using Automotive equipment / device which demand high reliability, kindly contact our sales window correspondents

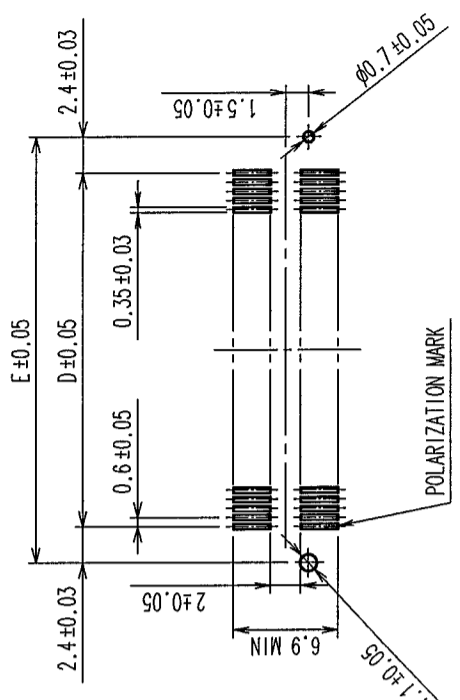
1

7

8

COUNT	DESCRIPTION OF REVISIONS	BY	CHKD	DATE	COUNT	DESCRIPTION OF REVISIONS	BY	CHKD	DATE
3	RE-F-09671	K.N	H.Y	04.04.08					
1	RE-F-10252	K.D	H.O	04.12.06					

RECOMMENDED LAND PATTERN DIMENSION OF P.C.B. (MOUNTING SIDE)



DIMENSION TABLE OF CONNECTOR AND P.C.B. LAND PATTERN.

PART No.	CODE No.	6	7	A	B	C	D	E
FX8C-60P-SV(93)	CL578-0501-9-93	60	X	24.60	23.00	20.70	17.40	22.20
FX8C-80P-SV(93)	CL578-0503-4-93	80	X	30.60	29.00	26.70	23.40	28.20
FX8C-100P-SV(93)	CL578-0505-0-93	100	X	36.60	35.00	32.70	29.40	34.20
FX8C-120P-SV(93)	CL578-0506-2-93	120	-	42.60	41.00	38.70	35.40	40.20
FX8C-140P-SV(93)	CL578-0507-5-93	140	-	48.60	47.00	44.70	41.40	46.20

- NOTE 1. LEAD CO-PLANARITY SHALL BE 0.1mm MAX.
 2. EMBOSSED CARRIER TAPE PACKAGING SHALL BE APPLIED TO THIS PRODUCT.
 3. SEE NEXT PAGE FOR DETAILS.
 4. THIS PRODUCT HAS TAPE FOR VACUUM PICKUP.
 5. SEE NEXT PAGE FOR DETAIL OF STICKING POSITION, ETC.
 6. FOR MODIFICATION, ETC, PREVENTIVE HOLE FOR SINK MARK MAY BE ADDED ACCORDING TO CIRCUMSTANCES.
 7. THE DIMENSIONS IN PARENTHESES ARE FOR REFERENCE.

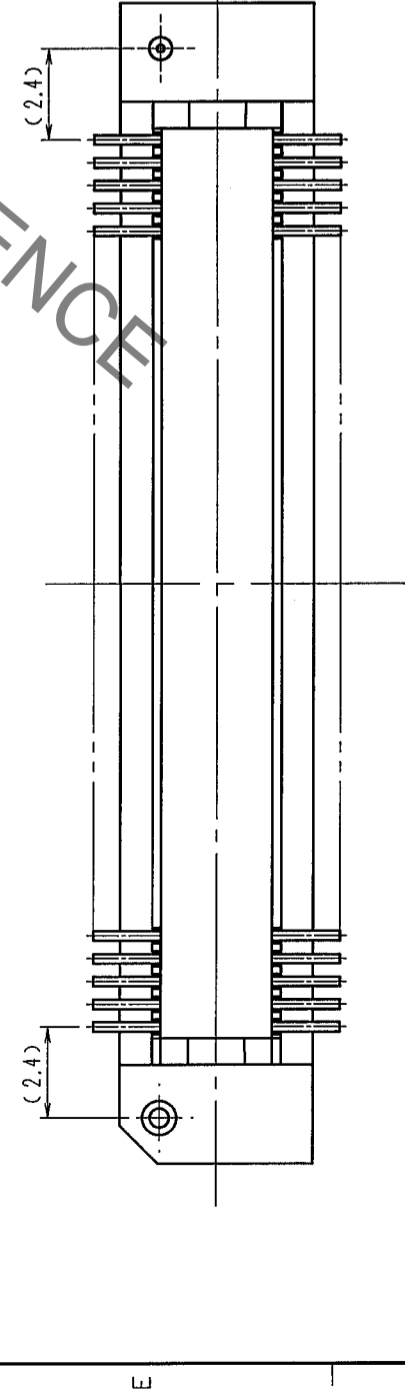
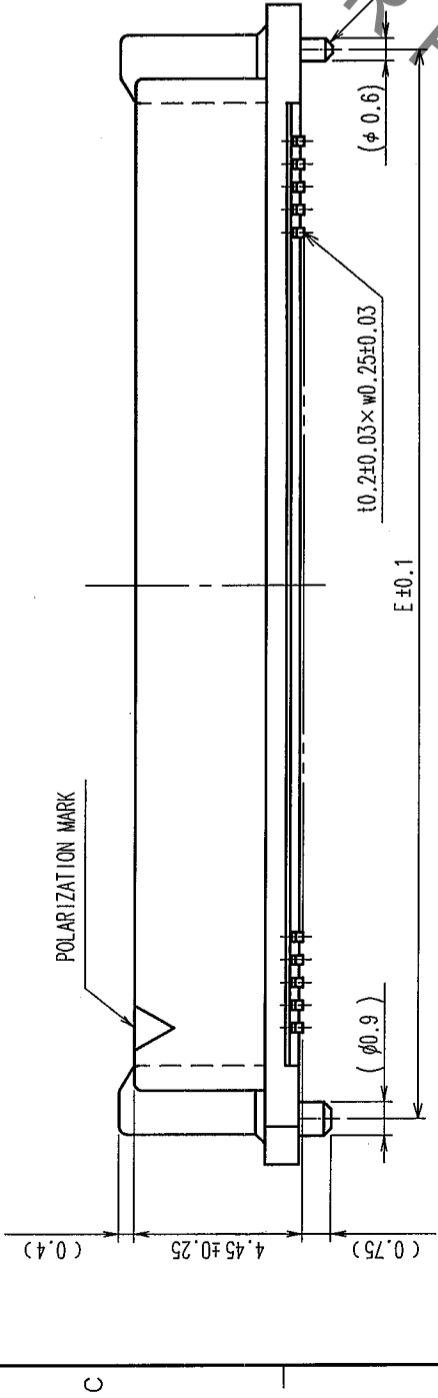
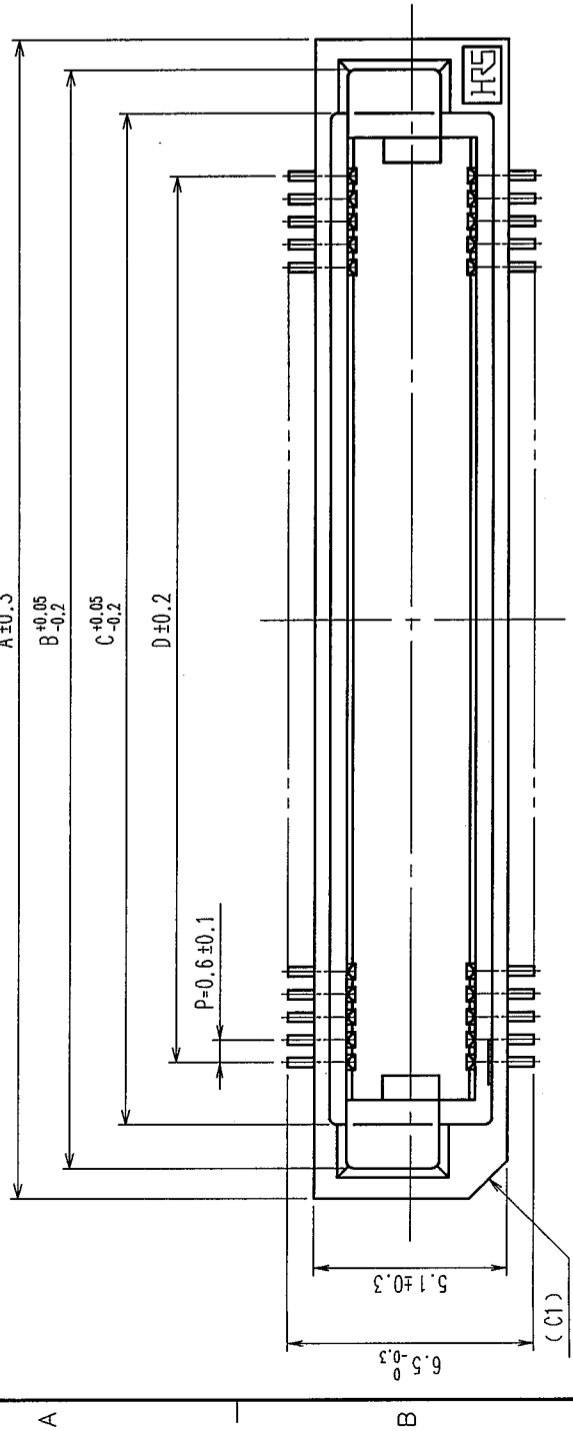
6 NUMBER OF CONTACTS.
 7 EXISTENCE
 X : PRODUCED, - : NO PRODUCED

CONTACT AREA: GOLD 0.1 μm min
 LEAD AREA: GOLD FLASH
 UNDER PLATING: NICKEL 0.5 μm min

NO.	MATERIAL	FINISH, REMARKS	NO.	MATERIAL	FINISH, REMARKS
1	POLYPHENYLENE SULFIDE	LIGHT BROWN (UL94V-0)	2	PHOSPHOR BRONZE	

CODE NO. (OLD)	CL	DRAWN	DESIGNED	CHECKED	APPROVED	RELEASED
		S. SUZUKI	K. NAKAMURA	H. OKAWA	Y. YOSHIMURA	
		03.02.03	03.02.12	03.02.14	03.02.15	

DRAWING NO.	EDC3-151020-23	PART NO.	FX8C-**-P-SV(93)
SCALE	FREE	CODE NO.	CL578
UNITS	MM		



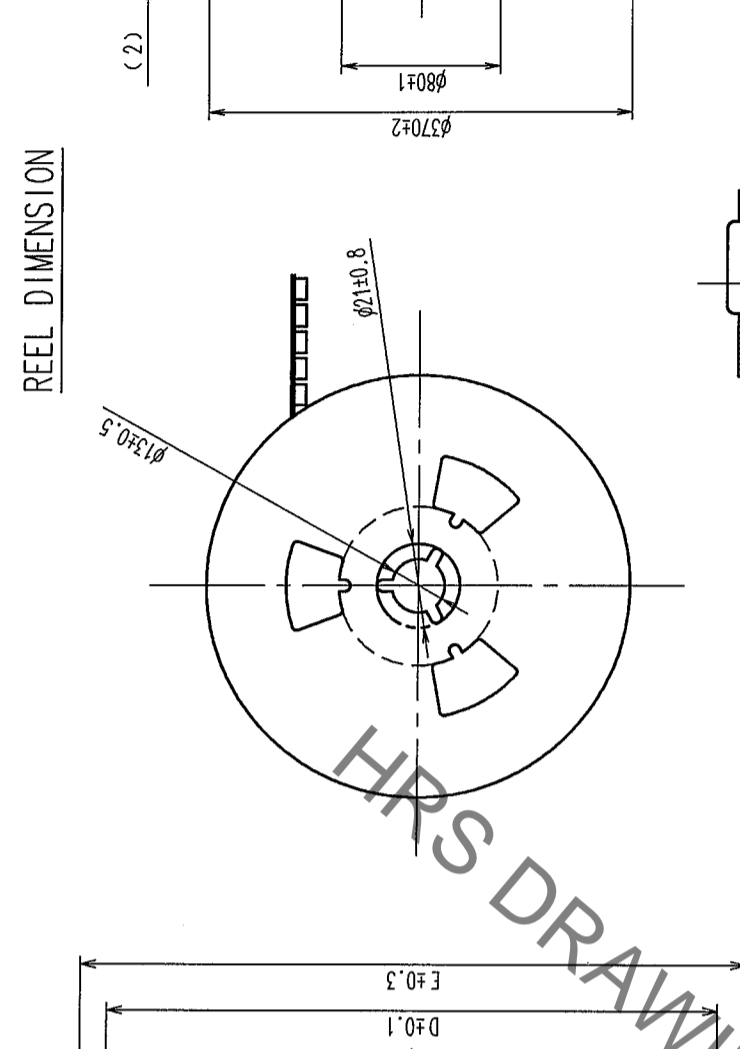
TO	
PCK	

HRS DRAWING FOR REFERENCE



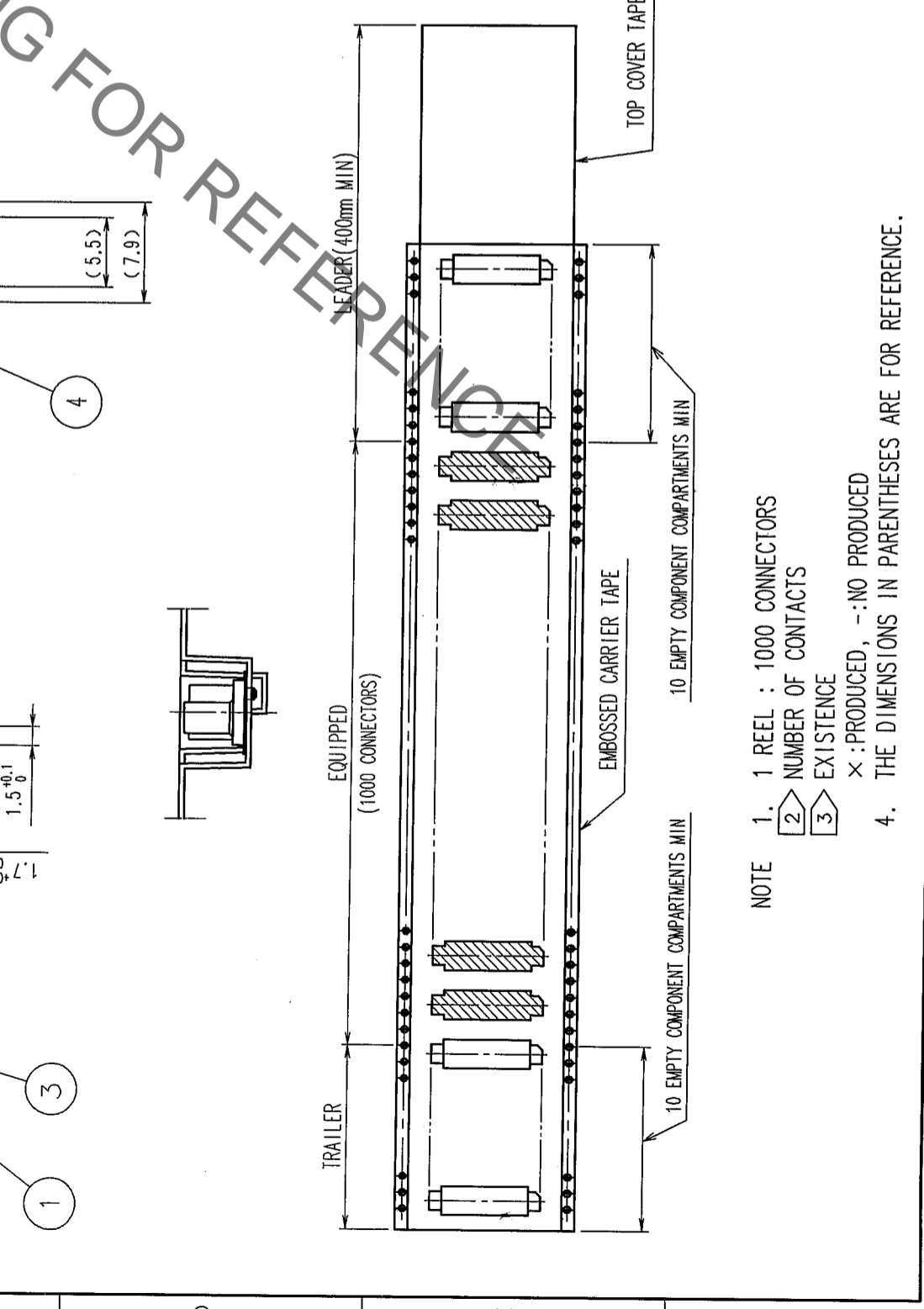
HRS HIROSE ELECTRIC CO., LTD

COUNT	DESCRIPTION OF REVISIONS	BY	CHKD	DATE	COUNT	DESCRIPTION OF REVISIONS	BY	CHKD	DATE

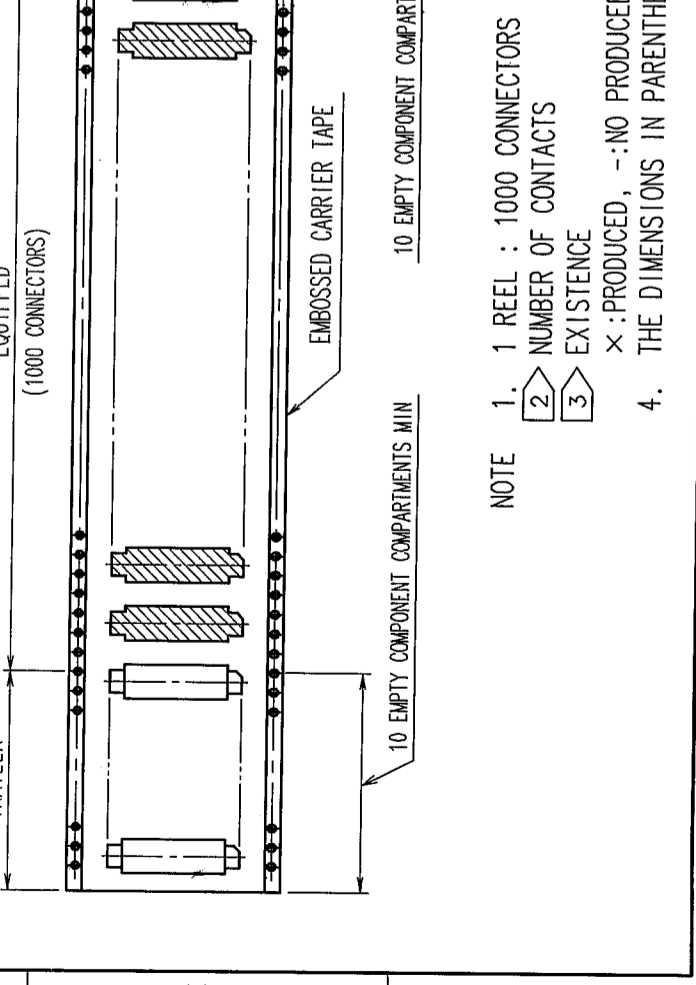


△ DIMENSION TABLE OF EMBOSSED CARRIER TAPE AND REEL.

PART No.	CODE No.	2	3	A	B	C	D	E	F
FX8C-60P-SV(93)	CL578-0501-9-93	60	X	20	25	20.2	40.4	44	44.4
FX8C-80P-SV(93)	CL578-0503-4-93	80	X	26	31	20.2	40.4	44	44.4
FX8C-100P-SV(93)	CL578-0505-0-93	100	X	32	37	26.2	52.4	56	56.4
FX8C-120P-SV(93)	CL578-0506-2-93	120	-	38	43	26.2	52.4	56	56.4
FX8C-140P-SV(93)	CL578-0507-5-93	140	-	44	49	34.2	68.4	72	72.4



NO.	MATERIAL	FINISH, REMARKS	NO.	MATERIAL	FINISH, REMARKS
2	POLYESTER	(TOP COVER TAPE)	4	POLYIMIDE	(TAPE FOR VACUUM PICKUP)
1	POLYSTYRENE	(EMBOSSED CARRIER TAPE)	3		(CONNECTOR)



NOTE 1. 1 REEL : 1000 CONNECTORS
 2. NUMBER OF CONTACTS
 3. EXISTENCE
 X : PRODUCED, - : NO PRODUCED
 4. THE DIMENSIONS IN PARENTHESES ARE FOR REFERENCE.

TO	
PCK	

DRAWING NO.	EDC3-151020-23	PART NO.	FX8C-**-P-SV(93)
SCALE	FREE	CODE NO.	CL578
UNITS	mm		

DESIGNED	K. NAKAMURA	CHECKED	H. OKAWA	APPROVED	Y. YOSHIMURA	RELEASED	
DRAWN	S. SUZUKI						
DATE	03.02.03	DATE	03.02.12	DATE	03.02.14	DATE	03.02.15

X-ON Electronics

Largest Supplier of Electrical and Electronic Components

Click to view similar products for [Board to Board & Mezzanine Connectors](#) category:

Click to view products by [Hirose](#) manufacturer:

Other Similar products are found below :

[589158040000018](#) [FCN-230C068-11](#) [FCN-268F012-G/BD](#) [FCN-268F036-G/BD](#) [FCN-268M012-G/0D](#) [FCN-268M024-G/1D](#) [FCN-723J004/1](#) [MIS-048-01-F-D-DP-K](#) [832-10-034-10-001000](#) [FX4C-80S-1.27DSA](#) [FCN-214Q030-G/0](#) [FCN-234P048-G/0](#) [FCN-235D050-G/C](#) [2-22603-0](#) [AXG720047](#) [5031084030](#) [MIT-114-03-F-D-K](#) [55323-1519](#) [YFT-20-05-H-03-SB-K](#) [503308-3040](#) [026-6203-PDB](#) [027-6203-PDB](#) [069159702701000](#) [10123981-102LF](#) [101A10019X](#) [55650-0588-C](#) [68682-310LF](#) [68684-306](#) [75140-7012](#) [87471-650](#) [YTW-30-07-H-Q-410-140](#) [194261-1](#) [FCN-268F024-G0D](#) [10124054-515LF](#) [68685-603](#) [8-1616154-3](#) [MIS-019-01-F-D](#) [FCN-268M024-G/3D](#) [FCN-268M036-G/BD](#) [20021832-06016C1LF](#) [KX15-20KLDL-E1000E](#) [AXE810124](#) [FCN-214J100-G/0](#) [FCN-230C068-E/S](#) [AXE812124](#) [AXE816124](#) [AXE720127](#) [354184](#) [MIT-019-04-F-D-K](#) [P50-028-DDS-TG](#)