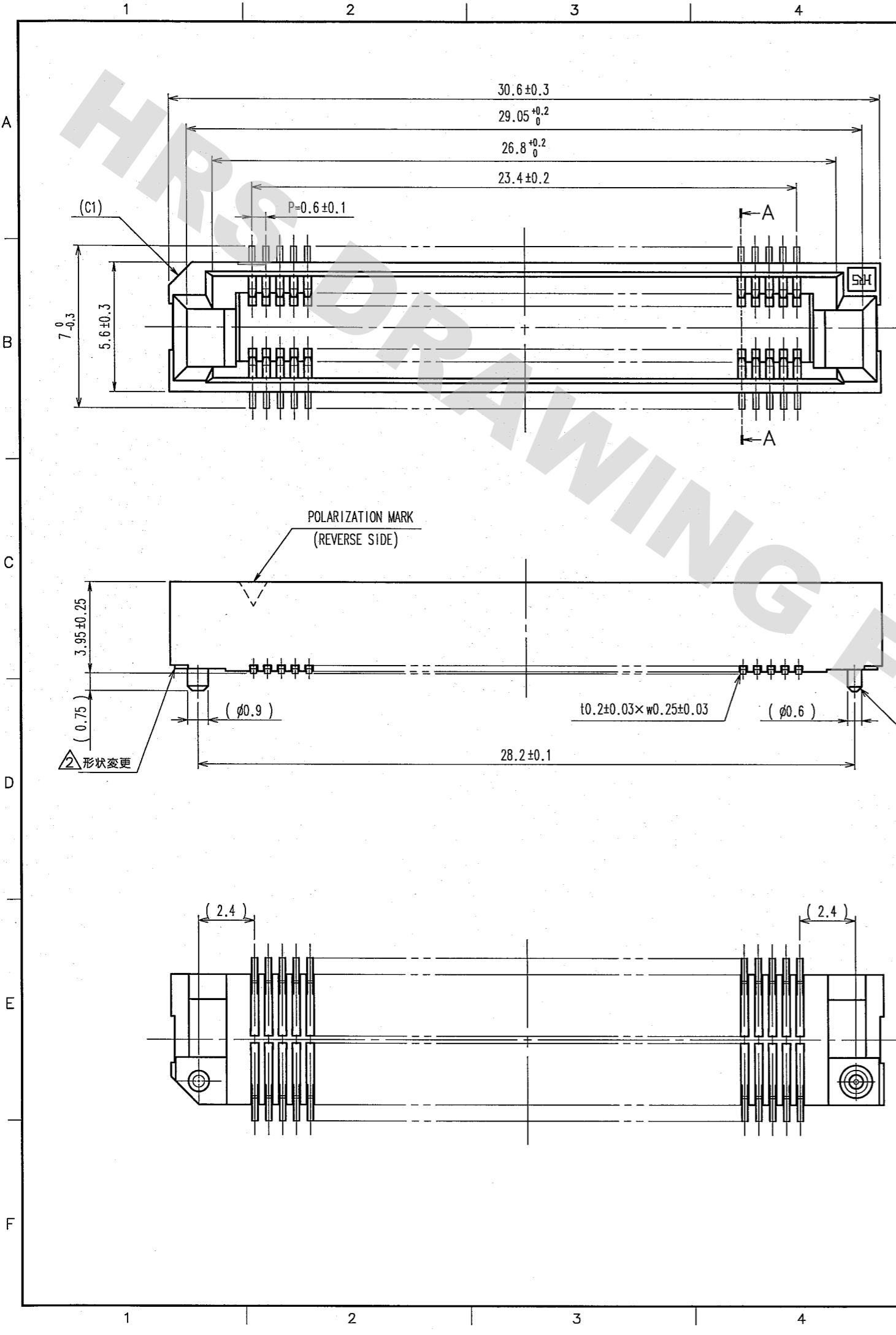


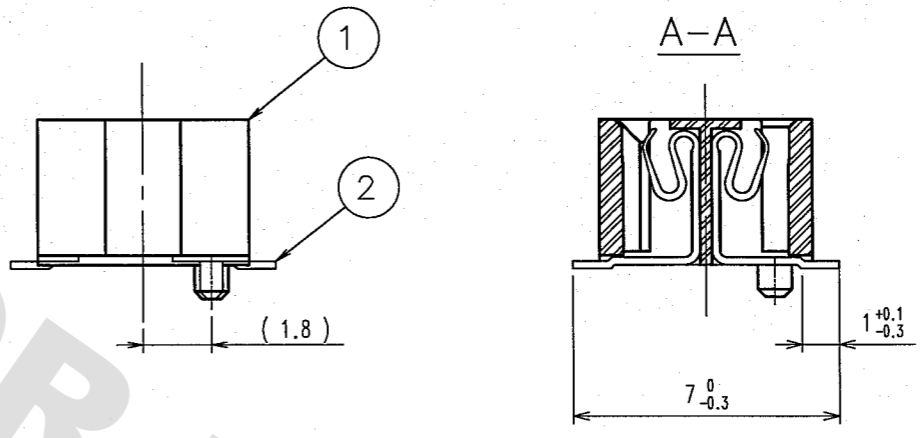
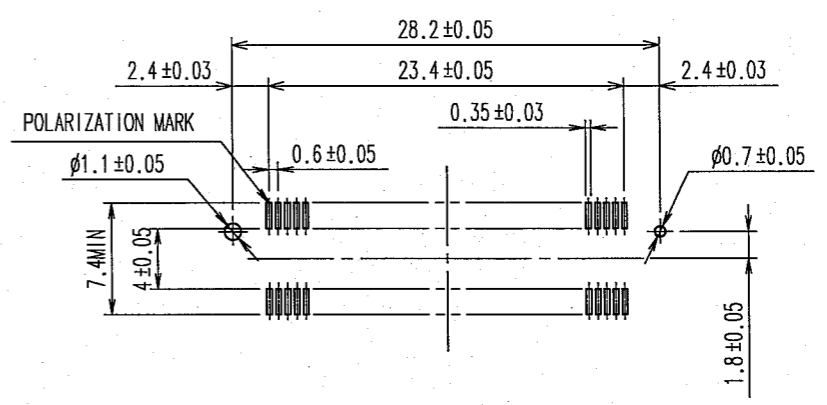
DRAWING FOR REFERENCE: This is subject to change without notice  
08/11/2012

TO  
PCK



COUNT	DESCRIPTION OF REVISIONS	BY	CHKD	DATE	COUNT	DESCRIPTION OF REVISIONS	BY	CHKD	DATE
△					△				
△					△				
△					△				

RECOMMENDED LAND PATTERN DIMENSION OF PCB (MOUNTING SIDE) (2:1)



- NOTE 1. LEAD CO-PLANARITY SHALL BE 0.1mm MAX.  
 2. TUBE PACKAGING SHALL BE APPLIED FOR THIS PRODUCT. SEE NEXT PAGE FOR DETAILS.  
 3. FOR MODIFICATION, ETC., PREVENTIVE HOLE FOR SINK MARK MAY BE ADDED ACCORDING TO CIRCUMSTANCES.  
 4. THE DIMENSIONS IN PARENTHESES ARE FOR REFERENCE.

NO.	MATERIAL	FINISH, REMARKS	NO.	MATERIAL	FINISH, REMARKS
1	POLYPHENYLENE SULFIDE	LIGHT BROWN (UL94V-0)	2	PHOSPHOR BRONZE	CONTACT AREA: GOLD 0.1μ m min. LEAD AREA: GOLD FLASH UNDER PLATING: NICKEL 1.5μ m min.

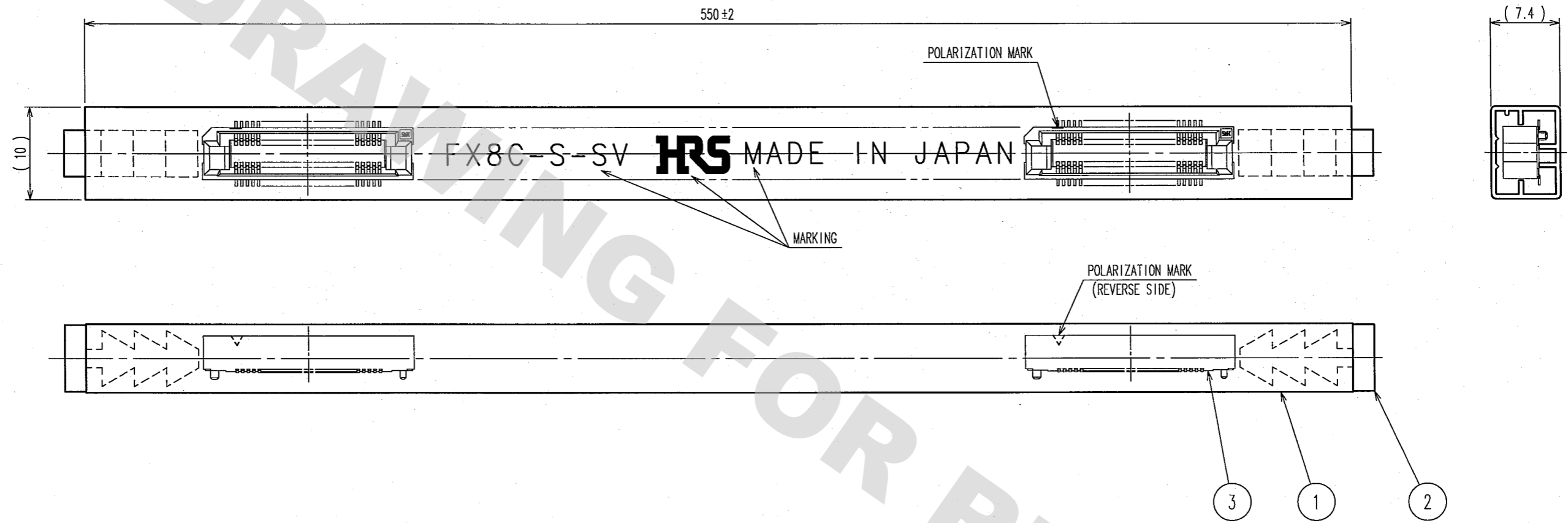
CODE NO. (OLD)	DRAWN	DESIGNED	CHECKED	APPROVED	RELEASED
CL	<i>K. Doi</i> 05-09-02	<i>K. Doi</i> 05-09-02	<i>K. Ozawa</i> 05-09-02	<i>H. Okawa</i> 05-09-02	

DRAWING NO.	PART NO.
EDC3-150882-21	FX8C-80S-SV(91)
SCALE	CODE NO.
5 : 1	CL578-0803-8-91
UNITS	
mm	

DRAWING FOR REFERENCE: This is subject to change without notice  
08/11/2012

TO
PCK

5				6				7				8			
COUNT	DESCRIPTION OF REVISIONS	BY	CHKD	DATE	COUNT	DESCRIPTION OF REVISIONS	BY	CHKD	DATE	COUNT	DESCRIPTION OF REVISIONS	BY	CHKD	DATE	



NOTE 1. 1 TUBE : 17 CONNECTORS.  
2. THE DIMENSIONS IN PARENTHESES ARE FOR REFERENCE.

2		POLYVINYL CHLORIDE STOPPER	3		(CONNECTOR)
1		POLYVINYL CHLORIDE TUBE	1		POLYVINYL CHLORIDE TUBE
NO.	MATERIAL	FINISH, REMARKS	NO.	MATERIAL	FINISH, REMARKS
CODE NO. (OLD)	CL		DRAWN	DESIGNED	CHECKED
			<i>H. Doi</i>	<i>H. Doi</i>	<i>M. Ogawa</i>
			05.09.02	05.09.02	05.09.02
			APPROVED	RELEASED	
			<i>H. Okawa</i>		
			05.09.02		
DRAWING NO.		PART NO.			
EDC3-150882-21		FX8C-80S-SV(91)			
SCALE		CODE NO.			
FREE		CL578-0803-8-91			
UNITS					
mm					



## X-ON Electronics

Largest Supplier of Electrical and Electronic Components

*Click to view similar products for [Board to Board & Mezzanine Connectors](#) category:*

*Click to view products by [Hirose](#) manufacturer:*

Other Similar products are found below :

[589158040000018](#) [MDF7C-18P-2.54DSA\(55\)](#) [FCN-230C068-11](#) [FCN-268F012-G/BD](#) [FCN-268F036-G/BD](#) [FCN-268M012-G/0D](#) [FCN-268M024-G/1D](#) [FCN-723J004/1](#) [MIS-048-01-F-D-DP-K](#) [832-10-034-10-001000](#) [FX4C-80S-1.27DSA](#) [FCN-214Q030-G/0](#) [FCN-234P048-G/0](#) [FCN-235D050-G/C](#) [210-93-314-41-105000](#) [2-22603-0](#) [MDF7-40DP-2.54DSA\(55\)](#) [AXG720047](#) [MIT-114-03-F-D-K](#) [55323-1519](#) [DF33-2P-3.3DSA\(24\)](#) [YFT-20-05-H-03-SB-K](#) [503308-3040](#) [026-6203-PDB](#) [027-6203-PDB](#) [069159702701000](#) [10123981-102LF](#) [101A10019X](#) [55650-0588-C](#) [68682-310LF](#) [68684-306](#) [75140-7012](#) [87471-650](#) [YTW-30-07-H-Q-410-140](#) [FCN-268F024-G0D](#) [10124054-515LF](#) [68685-603](#) [8-1616154-3](#) [MIS-019-01-F-D](#) [FCN-268M024-G/3D](#) [FCN-268M036-G/BD](#) [20021832-06016C1LF](#) [KX15-20KLDL-E1000E](#) [AXE810124](#) [FCN-214J100-G/0](#) [FCN-230C068-E/S](#) [AXE812124](#) [AXE816124](#) [AXE720127](#) [354184](#)