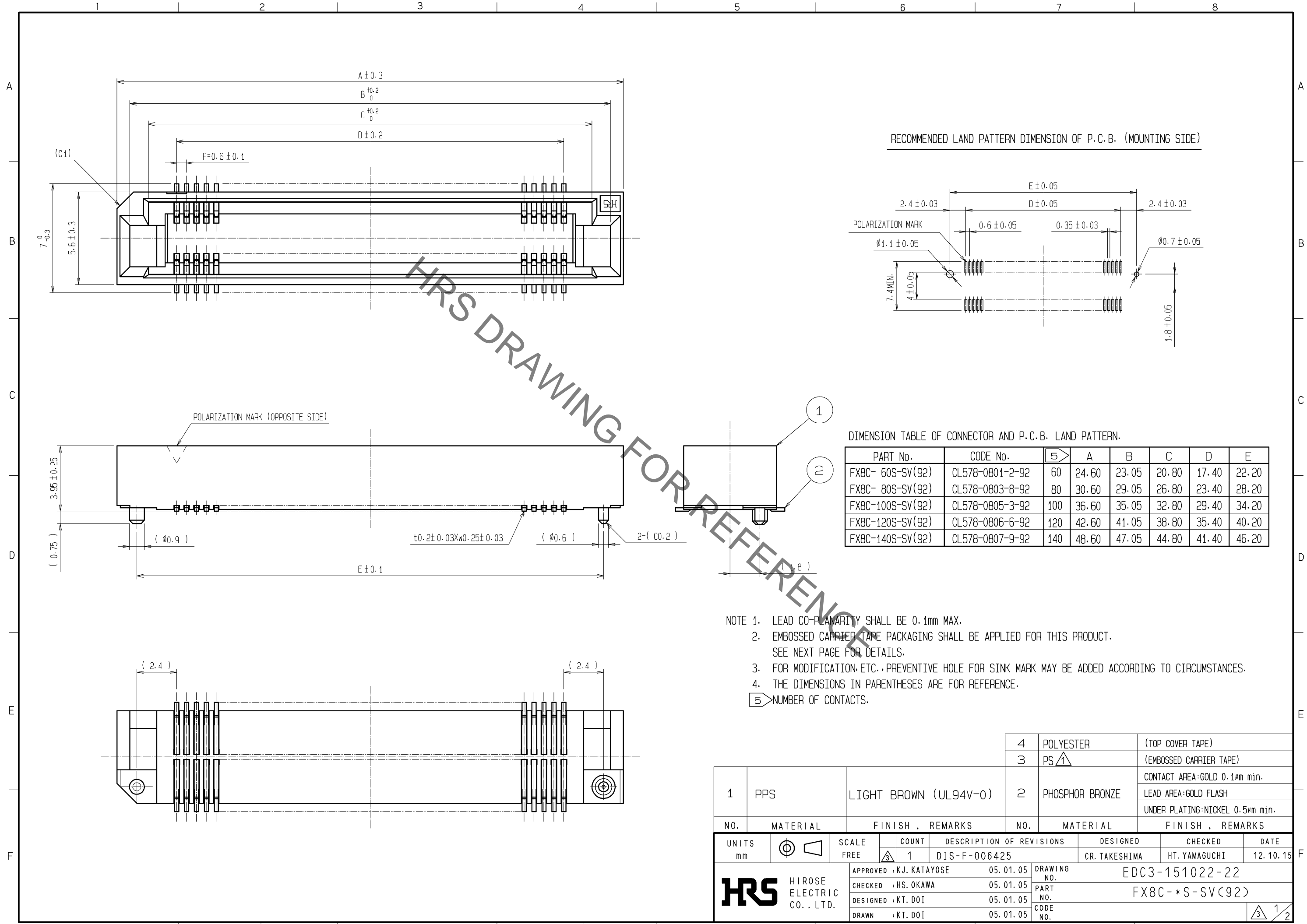
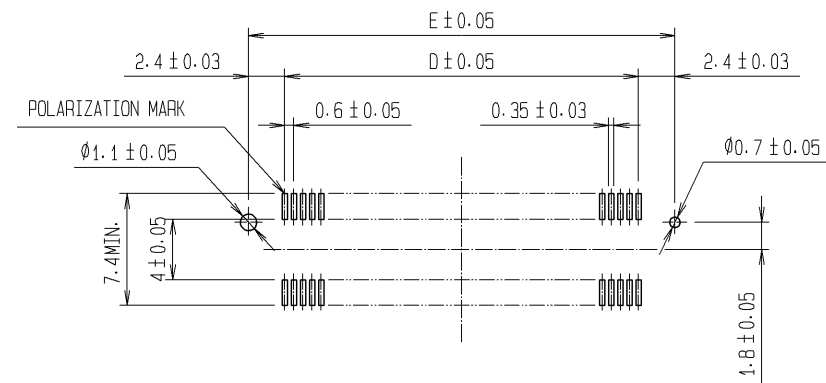


Sep.1.2021 Copyright 2021 HIROSE ELECTRIC CO., LTD. All Rights Reserved.  
In case of consideration for using Automotive equipment / device which demand high reliability, kindly contact our sales window correspondents.



RECOMMENDED LAND PATTERN DIMENSION OF P.C.B. (MOUNTING SIDE)



DIMENSION TABLE OF CONNECTOR AND P.C.B. LAND PATTERN.

PART No.	CODE No.	5	A	B	C	D	E
FX8C-60S-SV(92)	CL578-0801-2-92	60	24.60	23.05	20.80	17.40	22.20
FX8C-80S-SV(92)	CL578-0803-8-92	80	30.60	29.05	26.80	23.40	28.20
FX8C-100S-SV(92)	CL578-0805-3-92	100	36.60	35.05	32.80	29.40	34.20
FX8C-120S-SV(92)	CL578-0806-6-92	120	42.60	41.05	38.80	35.40	40.20
FX8C-140S-SV(92)	CL578-0807-9-92	140	48.60	47.05	44.80	41.40	46.20

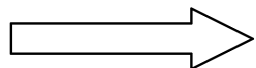
- NOTE 1. LEAD CO-PLANARITY SHALL BE 0.1mm MAX.  
 2. EMBOSSED CARRIER TAPE PACKAGING SHALL BE APPLIED FOR THIS PRODUCT. SEE NEXT PAGE FOR DETAILS.  
 3. FOR MODIFICATION, ETC., PREVENTIVE HOLE FOR SINK MARK MAY BE ADDED ACCORDING TO CIRCUMSTANCES.  
 4. THE DIMENSIONS IN PARENTHESES ARE FOR REFERENCE.  
 5 NUMBER OF CONTACTS.

1	PPS	LIGHT BROWN (UL94V-0)	2	PHOSPHOR BRONZE	CONTACT AREA: GOLD 0.1µm min. LEAD AREA: GOLD FLASH UNDER PLATING: NICKEL 0.5µm min.			
4	POLYESTER	(TOP COVER TAPE)	3	PS	(EMBOSSED CARRIER TAPE)			
NO.	MATERIAL	FINISH, REMARKS	NO.	MATERIAL	FINISH, REMARKS			
UNITS	mm	SCALE	FREE	COUNT	DESCRIPTION OF REVISIONS	DESIGNED	CHECKED	DATE
				1	DIS-F-006425	CR. TAKESHIMA	HT. YAMAGUCHI	12.10.15
APPROVED: KJ. KATAYOSE		05.01.05		DRAWING NO.		EDC3-151022-22		
CHECKED: HS. OKAWA		05.01.05		PART NO.		FX8C-*S-SV(92)		
DESIGNED: KT. DOI		05.01.05		CODE NO.				
DRAWN: KT. DOI		05.01.05						

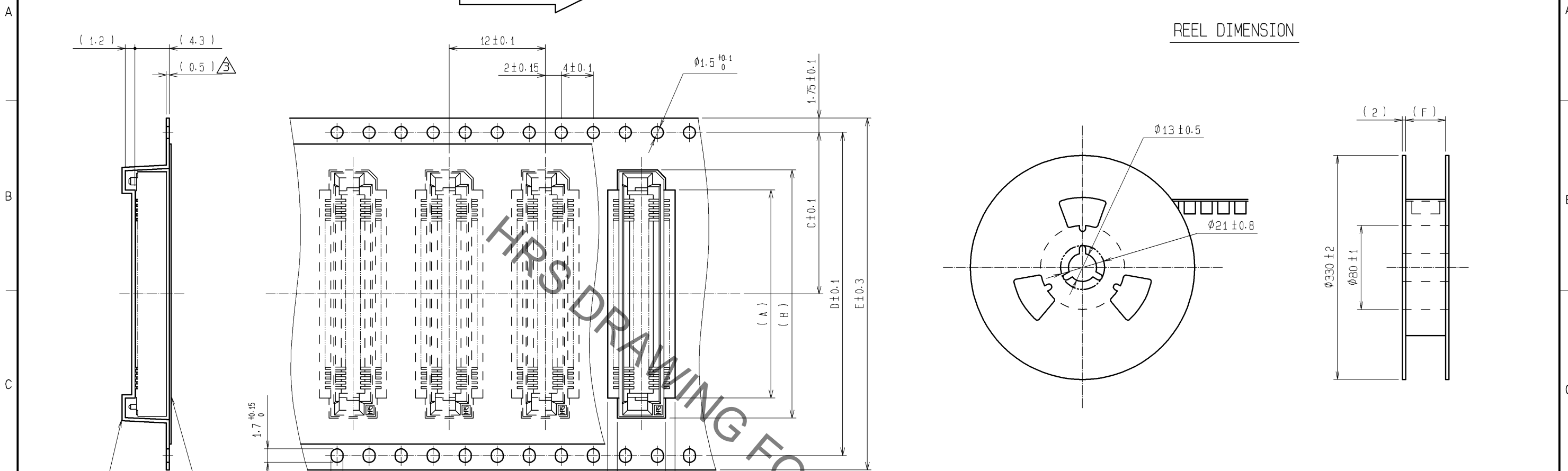
Sep.1.2021 Copyright 2021 HIROSE ELECTRIC CO., LTD. All Rights Reserved.  
 In case of consideration for using Automotive equipment / device which demand high reliability, kindly contact our sales window correspondents.

DRAWING FOR PACKING ( 2:1 )

UNREELING DIRECTION



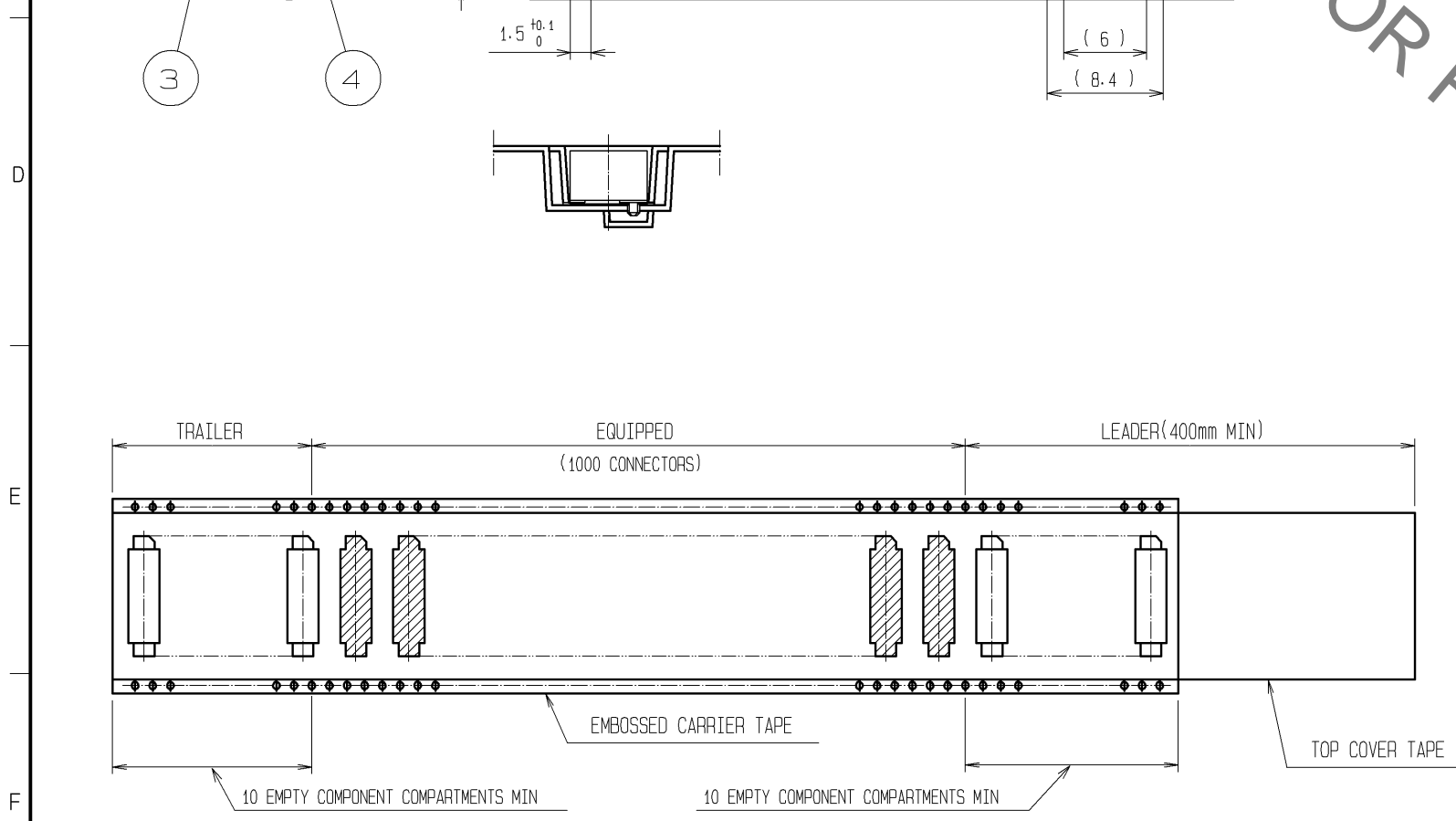
REEL DIMENSION



△ DIMENSION TABLE OF EMBOSSED CARRIER TAPE AND REEL.

PART No.	CODE No.	②	A	B	C	D	E	F
FX8C-60S-SV(92)	CL578-0801-2-92	60	20	25	20.2	40.4	44	44.4
FX8C-80S-SV(92)	CL578-0803-8-92	80	26	31	20.2	40.4	44	44.4
FX8C-100S-SV(92)	CL578-0805-3-92	100	32	37	26.2	52.4	56	56.4
FX8C-120S-SV(92)	CL578-0806-6-92	120	38	43	26.2	52.4	56	56.4
FX8C-140S-SV(92)	CL578-0807-9-92	140	44	49	34.2	68.4	72	72.4

NOTE ① 1 REEL : 1000 CONNECTORS  
 ② NUMBER OF CONTACTS



<b>HRS</b>	DRAWING NO.	EDC3-151022-22
	PART NO.	FX8C-*S-SV(92)
	CODE NO.	

③ ② ②

## X-ON Electronics

Largest Supplier of Electrical and Electronic Components

*Click to view similar products for [Board to Board & Mezzanine Connectors](#) category:*

*Click to view products by [Hirose](#) manufacturer:*

Other Similar products are found below :

[589158040000018](#) [MDF7C-18P-2.54DSA\(55\)](#) [FCN-230C068-11](#) [FCN-268F012-G/BD](#) [FCN-268F036-G/BD](#) [FCN-268M012-G/0D](#) [FCN-268M024-G/1D](#) [FCN-723J004/1](#) [MIS-048-01-F-D-DP-K](#) [832-10-034-10-001000](#) [FX4C-80S-1.27DSA](#) [FCN-214Q030-G/0](#) [FCN-234P048-G/0](#) [FCN-235D050-G/C](#) [210-93-314-41-105000](#) [2-22603-0](#) [MDF7-40DP-2.54DSA\(55\)](#) [AXG720047](#) [MIT-114-03-F-D-K](#) [55323-1519](#) [DF33-2P-3.3DSA\(24\)](#) [YFT-20-05-H-03-SB-K](#) [503308-3040](#) [026-6203-PDB](#) [027-6203-PDB](#) [069159702701000](#) [10123981-102LF](#) [101A10019X](#) [55650-0588-C](#) [68682-310LF](#) [68684-306](#) [75140-7012](#) [87471-650](#) [YTW-30-07-H-Q-410-140](#) [FCN-268F024-G0D](#) [10124054-515LF](#) [68685-603](#) [8-1616154-3](#) [MIS-019-01-F-D](#) [FCN-268M024-G/3D](#) [FCN-268M036-G/BD](#) [20021832-06016C1LF](#) [KX15-20KLDL-E1000E](#) [AXE810124](#) [FCN-214J100-G/0](#) [FCN-230C068-E/S](#) [AXE812124](#) [AXE816124](#) [AXE720127](#) [354184](#)