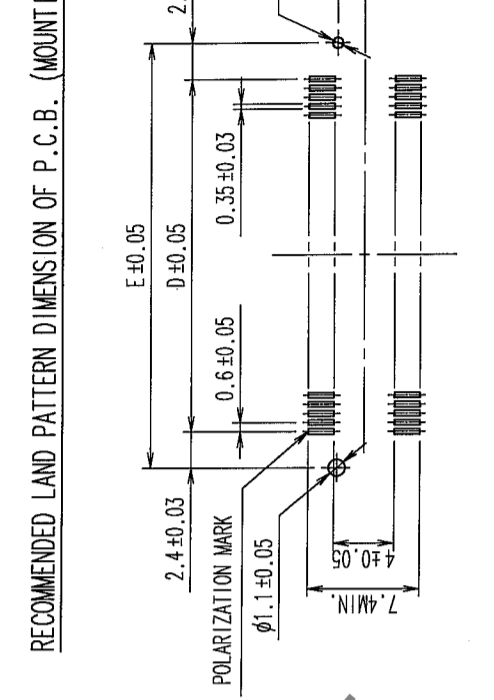
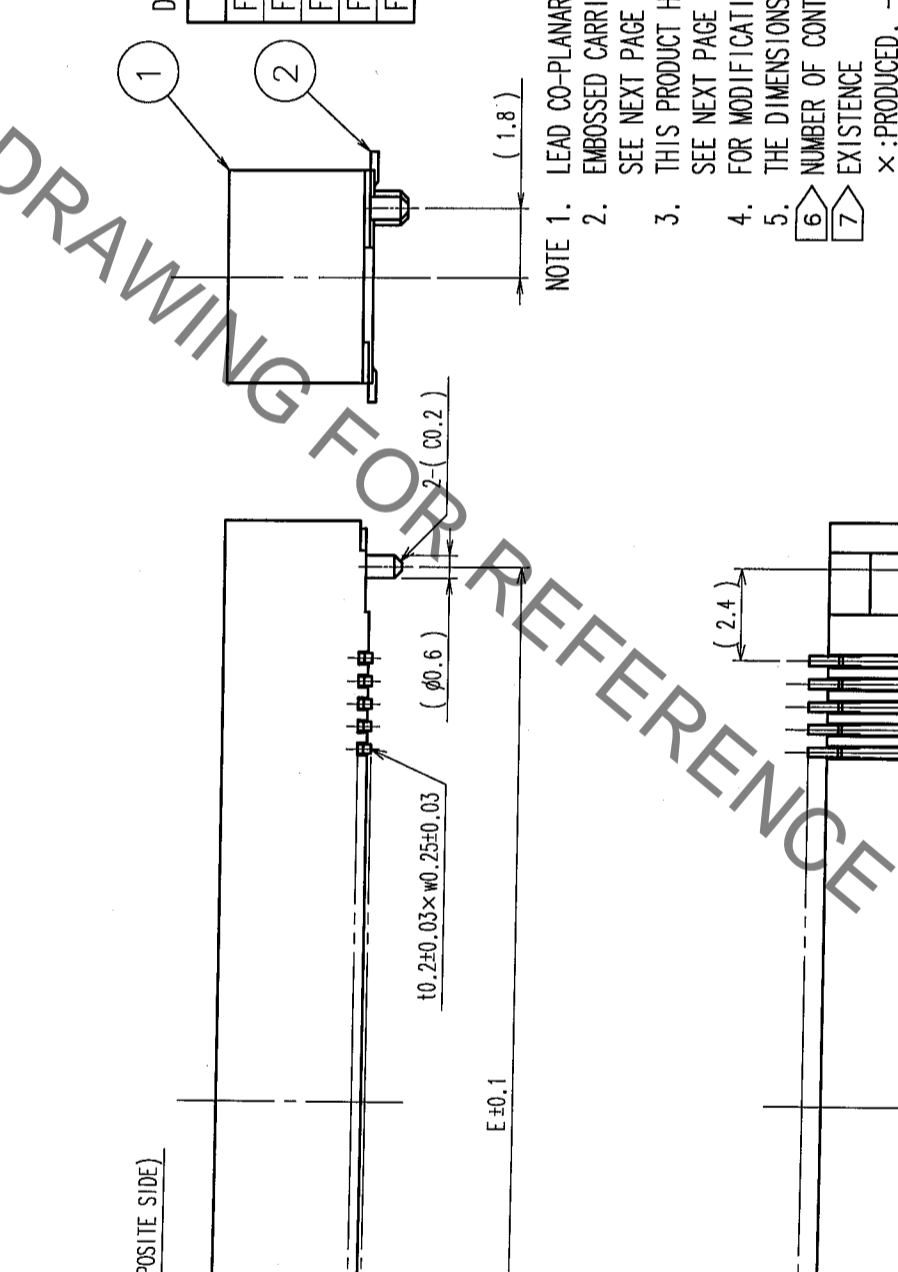


COUNT	DESCRIPTION OF REVISIONS	BY	CHKD	DATE	COUNT	DESCRIPTION OF REVISIONS	BY	CHKD	DATE
3	RE-F-09671	K.N	H.Y	04.04.08					
1	DIS-F-000293	K.D	H.O	05.07.28					



DIMENSION TABLE OF CONNECTOR AND P.C.B. LAND PATTERN.

PART No.	CODE No.	6	7	A	B	C	D	E
FX8C-60S-SV(93)	CL578-0801-2-93	60	X	24.60	23.05	20.80	17.40	22.20
FX8C-80S-SV(93)	CL578-0803-8-93	80	X	30.60	29.05	26.80	23.40	28.20
FX8C-100S-SV(93)	CL578-0805-3-93	100	X	36.60	35.05	32.80	29.40	34.20
FX8C-120S-SV(93)	CL578-0806-6-93	120	-	42.60	41.05	38.80	35.40	40.20
FX8C-140S-SV(93)	CL578-0807-9-93	140	-	48.60	47.05	44.80	41.40	46.20



- NOTE 1. LEAD CO-PLANARITY SHALL BE 0.1mm MAX.  
 2. EMBOSSED CARRIER TAPE PACKAGING SHALL BE APPLIED TO THIS PRODUCT. SEE NEXT PAGE FOR DETAILS.  
 3. THIS PRODUCT HAS TAPE FOR VACUUM PICKUP. SEE NEXT PAGE FOR DETAIL OF STICKING POSITION, ETC.  
 4. FOR MODIFICATION, ETC., PREVENTIVE HOLE FOR SINK MARK MAY BE ADDED ACCORDING TO CIRCUMSTANCES.  
 5. THE DIMENSIONS IN PARENTHESES ARE FOR REFERENCE.
- 6 NUMBER OF CONTACTS.  
 7 EXISTENCE  
 X: PRODUCED, -: NO PRODUCED

NO.	MATERIAL	FINISH, REMARKS	NO.	MATERIAL	FINISH, REMARKS
1	PPS	LIGHT BROWN (UL94V-0)	2	PHOSPHOR BRONZE	CONTACT AREA: GOLD 0.1 $\mu$ m min. LEAD AREA: GOLD FLASH UNDER PLATING: NICKEL 0.5 $\mu$ m min.

TO	PCK	DATE

DRAWING NO.	PART NO.
EDC3-151022-23	FX8C-**-S-SV(93)

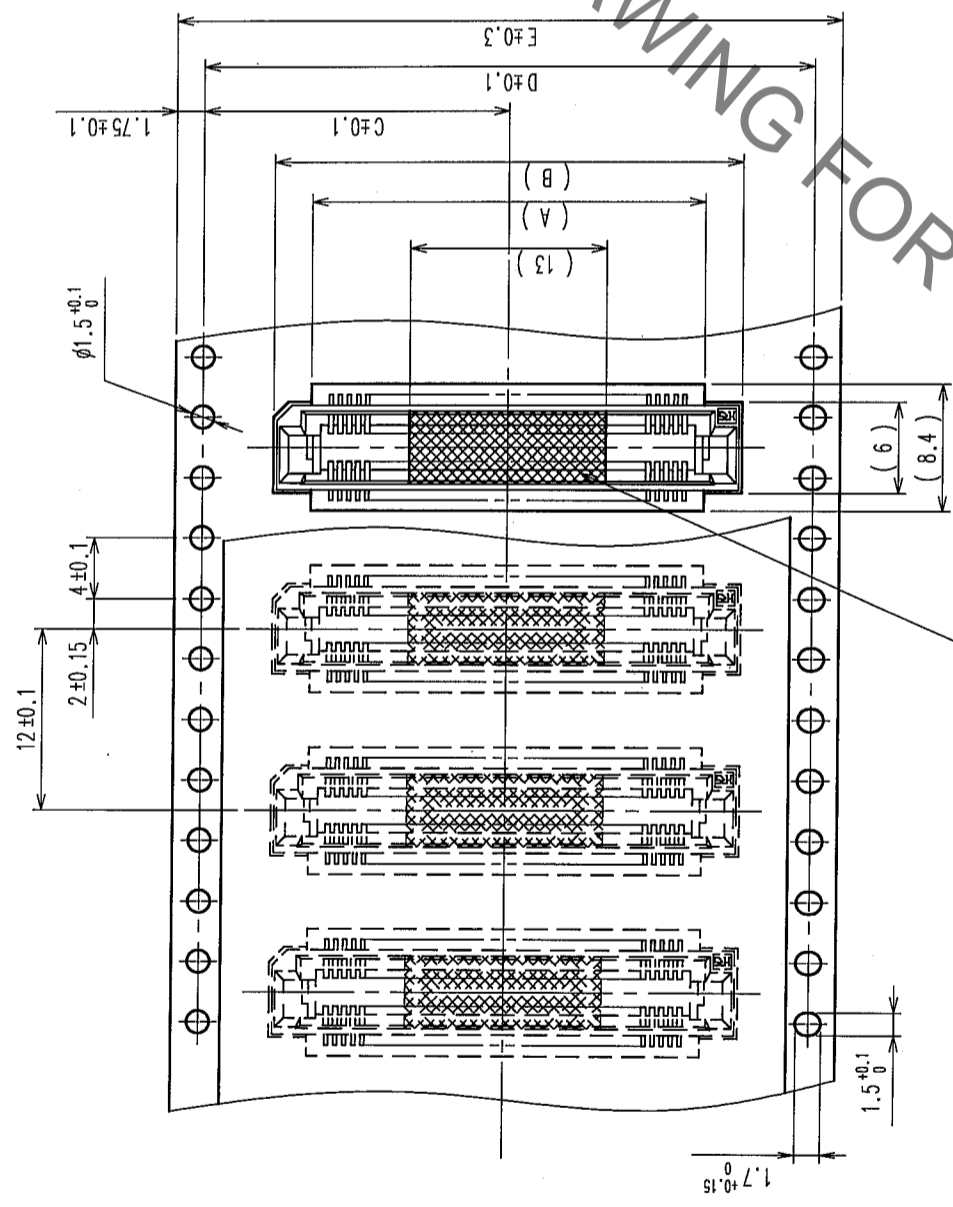
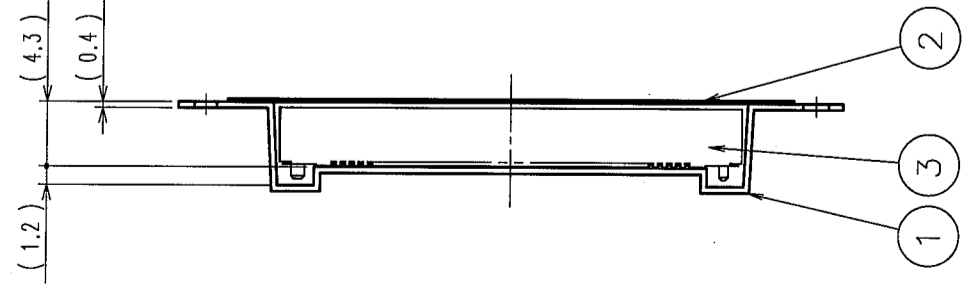
SCALE	UNITS	CODE NO.
FREE	MM	CL578

DESIGNED	CHECKED	APPROVED	RELEASED
K. NAKAMURA	H. OKAWA	Y. YOSHIMURA	

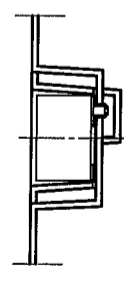
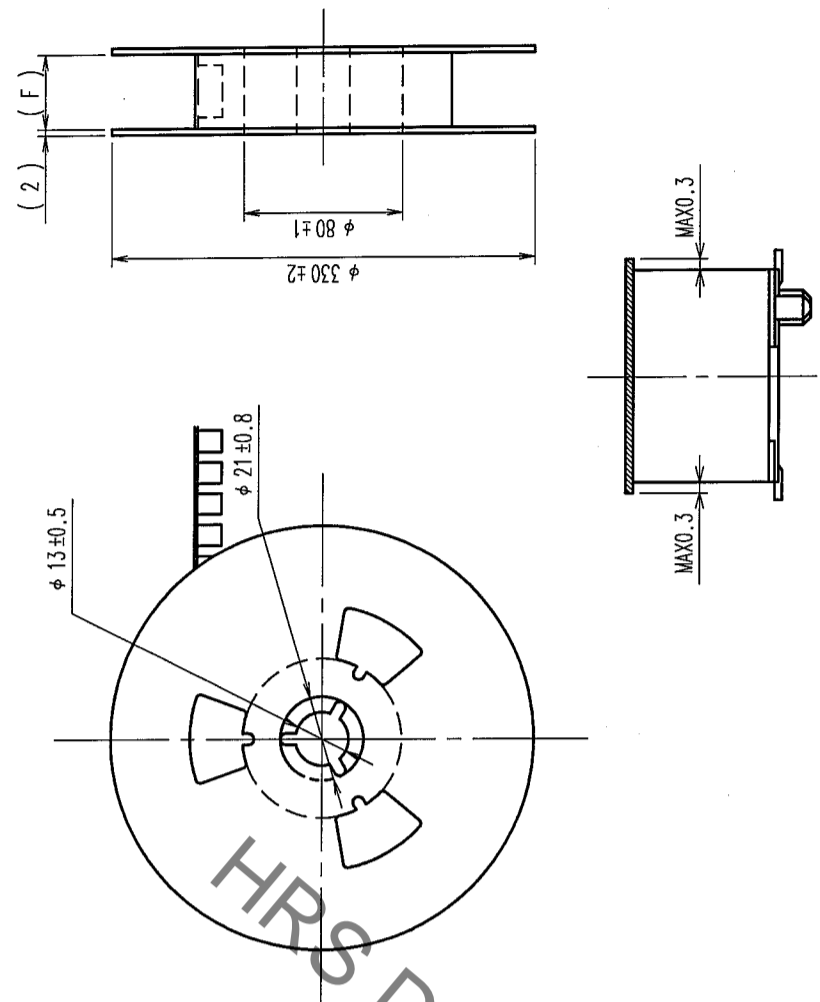
DRAWN	DATE	APPROVED	DATE
S. SUZUKI	03.02.07	03.02.18	03.02.19

DATE	BY	CHKD	DATE

COUNT	DESCRIPTION OF REVISIONS	BY	CHKD	DATE	COUNT	DESCRIPTION OF REVISIONS	BY	CHKD	DATE
△					△				
△					△				
△					△				



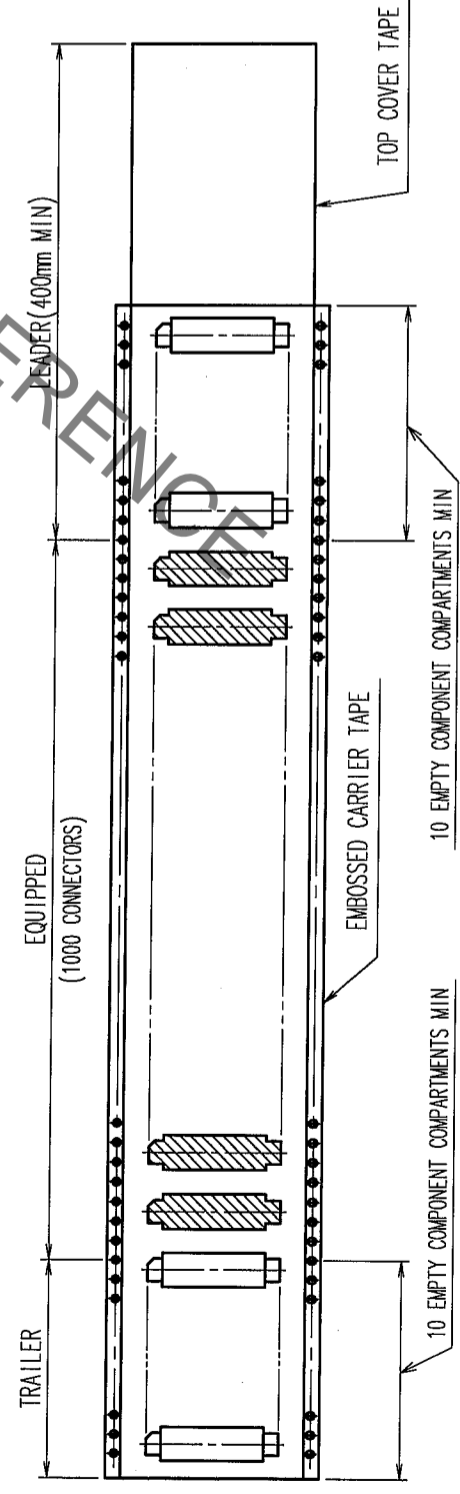
REEL DIMENSION



DETAIL OF TAPE FOR VACUUM PICKUP(5:1)

△ DIMENSION TABLE OF EMBOSSED CARRIER TAPE AND REEL.

PART No.	CODE No.	2	3	A	B	C	D	E	F
FX8C-60S-SV(93)	CL578-0801-2-93	60	X	20	25	20.2	40.4	44	44.4
FX8C-80S-SV(93)	CL578-0803-8-93	80	X	26	31	20.2	40.4	44	44.4
FX8C-100S-SV(93)	CL578-0805-3-93	100	X	32	37	26.2	52.4	56	56.4
FX8C-120S-SV(93)	CL578-0806-6-93	120	-	38	43	26.2	52.4	56	56.4
FX8C-140S-SV(93)	CL578-0807-9-93	140	-	44	49	34.2	68.4	72	72.4



TO	
PCK	

NOTE  
 1. 1 REEL : 1000 CONNECTORS  
 2. NUMBER OF CONTACTS  
 3. EXISTENCE  
 X : PRODUCED, - : NO PRODUCED

NO.	MATERIAL	FINISH, REMARKS	NO.	MATERIAL	FINISH, REMARKS
2	POLYESTER	(TOP COVER TAPE)	4	POLYIMIDE	(TAPE FOR VACUUM PICKUP)
1	PS	(EMBOSSED CARRIER TAPE)	3		(CONNECTOR)

CODE NO. (OLD)	CL	DRAWN	DESIGNED	CHECKED	APPROVED	RELEASED
		S. SUZUKI	K. NAKAMURA	H. OKAWA	Y. YOSHIMURA	
		03.02.07	03.02.17	03.02.18	03.02.19	

DRAWING NO.	PART NO.
EDC3-151022-23	FX8C-**-S-SV(93)

SCALE	UNITS	CODE NO.
FREE	mm	CL578



## X-ON Electronics

Largest Supplier of Electrical and Electronic Components

*Click to view similar products for [Board to Board & Mezzanine Connectors](#) category:*

*Click to view products by [Hirose](#) manufacturer:*

Other Similar products are found below :

[589158040000018](#) [MDF7C-18P-2.54DSA\(55\)](#) [FCN-230C068-11](#) [FCN-268F012-G/BD](#) [FCN-268F036-G/BD](#) [FCN-268M012-G/0D](#) [FCN-268M024-G/1D](#) [FCN-723J004/1](#) [MIS-048-01-F-D-DP-K](#) [832-10-034-10-001000](#) [FX4C-80S-1.27DSA](#) [FCN-214Q030-G/0](#) [FCN-234P048-G/0](#) [FCN-235D050-G/C](#) [210-93-314-41-105000](#) [2-22603-0](#) [MDF7-40DP-2.54DSA\(55\)](#) [AXG720047](#) [MIT-114-03-F-D-K](#) [55323-1519](#) [DF33-2P-3.3DSA\(24\)](#) [YFT-20-05-H-03-SB-K](#) [503308-3040](#) [026-6203-PDB](#) [027-6203-PDB](#) [069159702701000](#) [10123981-102LF](#) [101A10019X](#) [55650-0588-C](#) [68682-310LF](#) [68684-306](#) [75140-7012](#) [87471-650](#) [YTW-30-07-H-Q-410-140](#) [FCN-268F024-G0D](#) [10124054-515LF](#) [68685-603](#) [8-1616154-3](#) [MIS-019-01-F-D](#) [FCN-268M024-G/3D](#) [FCN-268M036-G/BD](#) [20021832-06016C1LF](#) [KX15-20KLDL-E1000E](#) [AXE810124](#) [FCN-214J100-G/0](#) [FCN-230C068-E/S](#) [AXE812124](#) [AXE816124](#) [AXE720127](#) [354184](#)