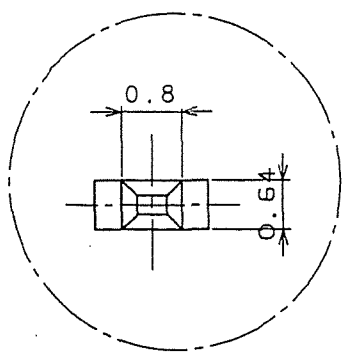
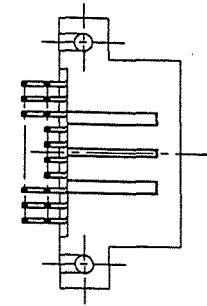
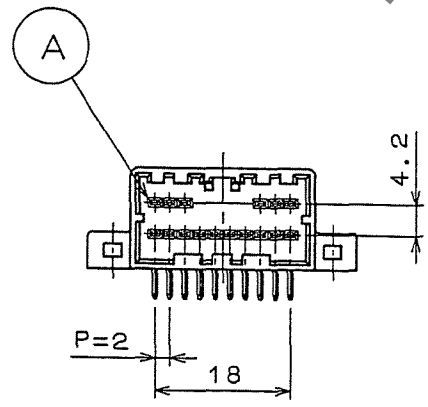
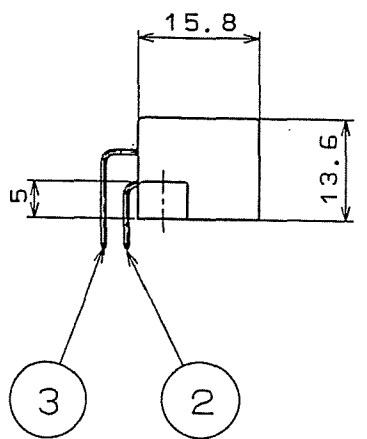
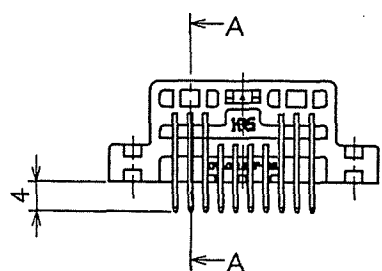
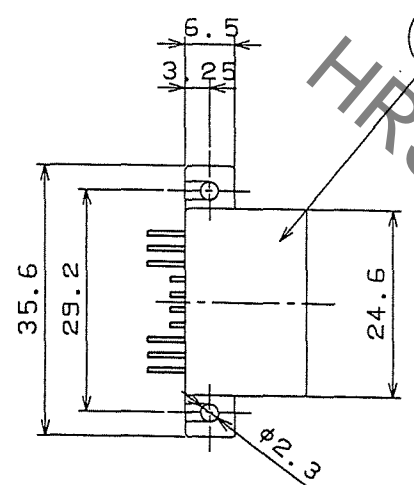


Sep.1.2021 Copyright 2021 HIROSE ELECTRIC CO., LTD. All Rights Reserved.
In case of consideration for using Automotive equipment / device which demand high reliability, kindly contact our sales window correspondents.

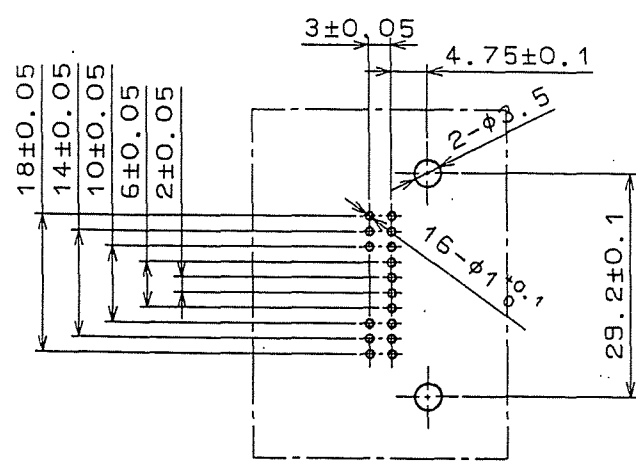
ELV. RoHS COMPLIANT



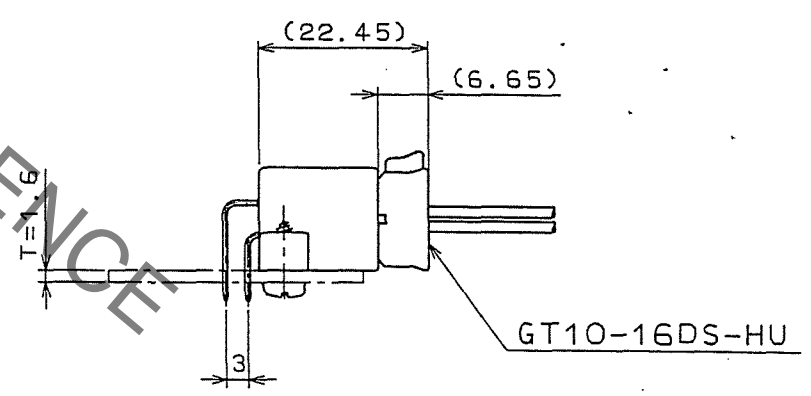
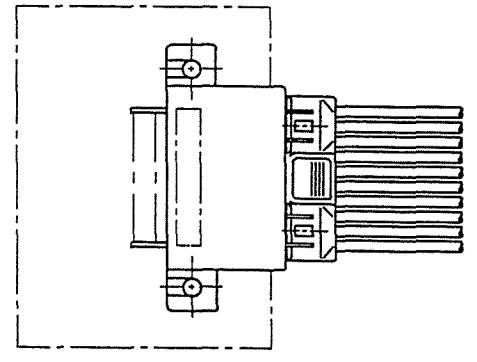
A (10:1)



| COUNT | DESCRIPTION OF REVISIONS | BY | CHKD | DATE | COUNT | DESCRIPTION OF REVISIONS | BY | CHKD | DATE |
|-------|--------------------------|----|------|------|-------|--------------------------|----|------|------|
| △ | | | | | △ | | | | |
| △ | | | | | △ | | | | |
| △ | | | | | △ | | | | |



RECOMMENDED PC BOARD LAYOUT



MATED CONNECTORS

| 2 | BRASS | TIN PLATED, T=0.64 | 3 | BRASS | TIN PLATED, T=0.64 |
|-------------------------------|----------|--------------------|---------------------------------|----------------------|---------------------------|
| 1 | PBT | LIGHT GRAY | | | |
| NO. | MATERIAL | FINISH, REMARKS | NO. | MATERIAL | FINISH, REMARKS |
| CODE NO. (OLD) CL | | | DRAWN S.KURIYA | DESIGNED N.NAKATA | CHECKED <i>K. Sato</i> |
| | | | APPROVED <i>K. Sato</i> | RELEASED . | |
| | | | 07. 7. 5 | 94. 8. 17 | 07. 7. 9 |
| | | | | | 07. 7. 9 |
| DRAWING NO. EDC3-165274-01 | | | PART NO. GT10-16DP-DS(70) | | |
| SCALE 1 : 1 | | | CODE NO. CL760-0001-4-70 | | |
| UNITS mm | | | HRS HIROSE ELECTRIC CO., LTD | | |

NOTE1. FIXING SCREW SHALL BE NOMINAL 3mm, IN ACCORDANCE WITH CLASS 4, OF JISB1115, 1122.

| |
|----|
| TO |
| |
| |
| |

X-ON Electronics

Largest Supplier of Electrical and Electronic Components

Click to view similar products for [Automotive Connectors](#) category:

Click to view products by [Hirose](#) manufacturer:

Other Similar products are found below :

[003-018-000](#) [60403001](#) [60993906-B](#) [M902-2131](#) [M902-2161](#) [72.330.1035.1](#) [73.353.4028.0](#) [F119300-B](#) [F166900](#) [F258300-B](#) [F358300-B](#)
[F407400](#) [F444110](#) [F487000](#) [F509500B-B](#) [827153-1](#) [8N1515-32-24P](#) [9-1326729-8](#) [925474-1](#) [928905-1](#) [964562-4](#) [968782-1](#) [GT17SA-8DS-](#)
[HU](#) [98891-1012](#) [98947-1016](#) [12004475-L](#) [12010290](#) [12010309-B](#) [12015454](#) [12020219-B](#) [12020308](#) [12041318-B](#) [12052225-L](#) [12052466](#)
[12059125](#) [12064869](#) [12004327-B](#) [12010503-B](#) [12015308](#) [12015384](#) [12015909](#) [1-21030-1](#) [12041254](#) [12041318](#) [12047946-B](#) [12047957](#)
[12047957-L](#) [12059473](#) [12066261](#) [12110546](#)