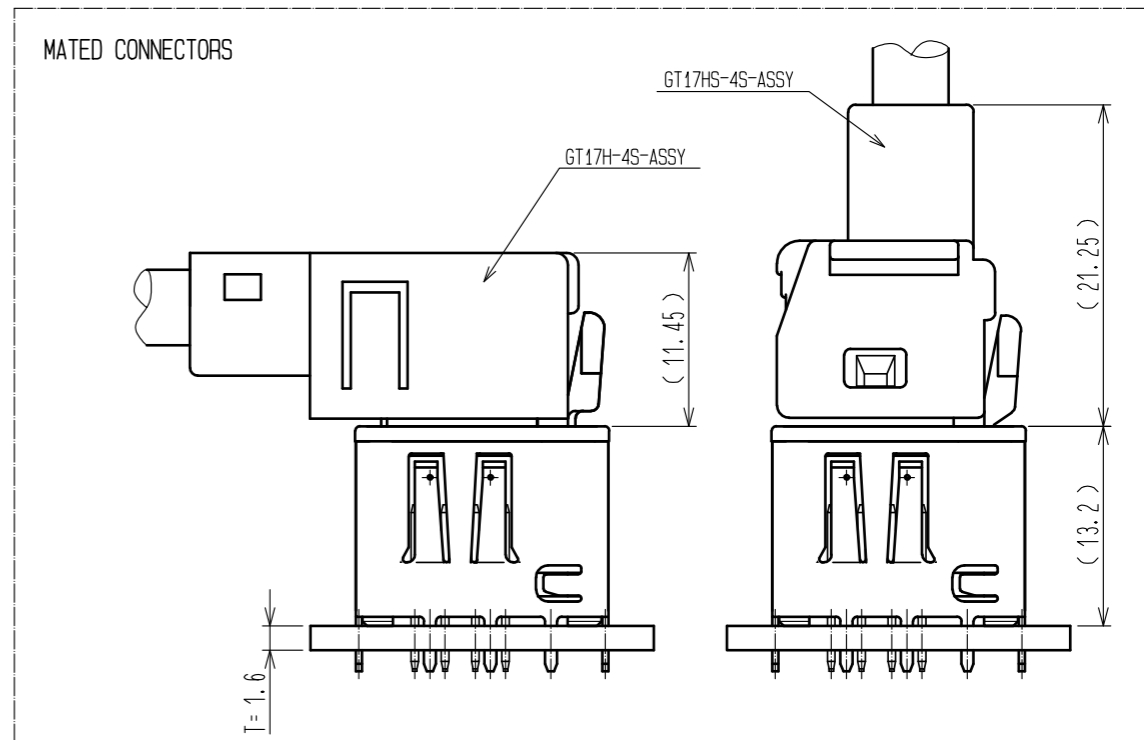
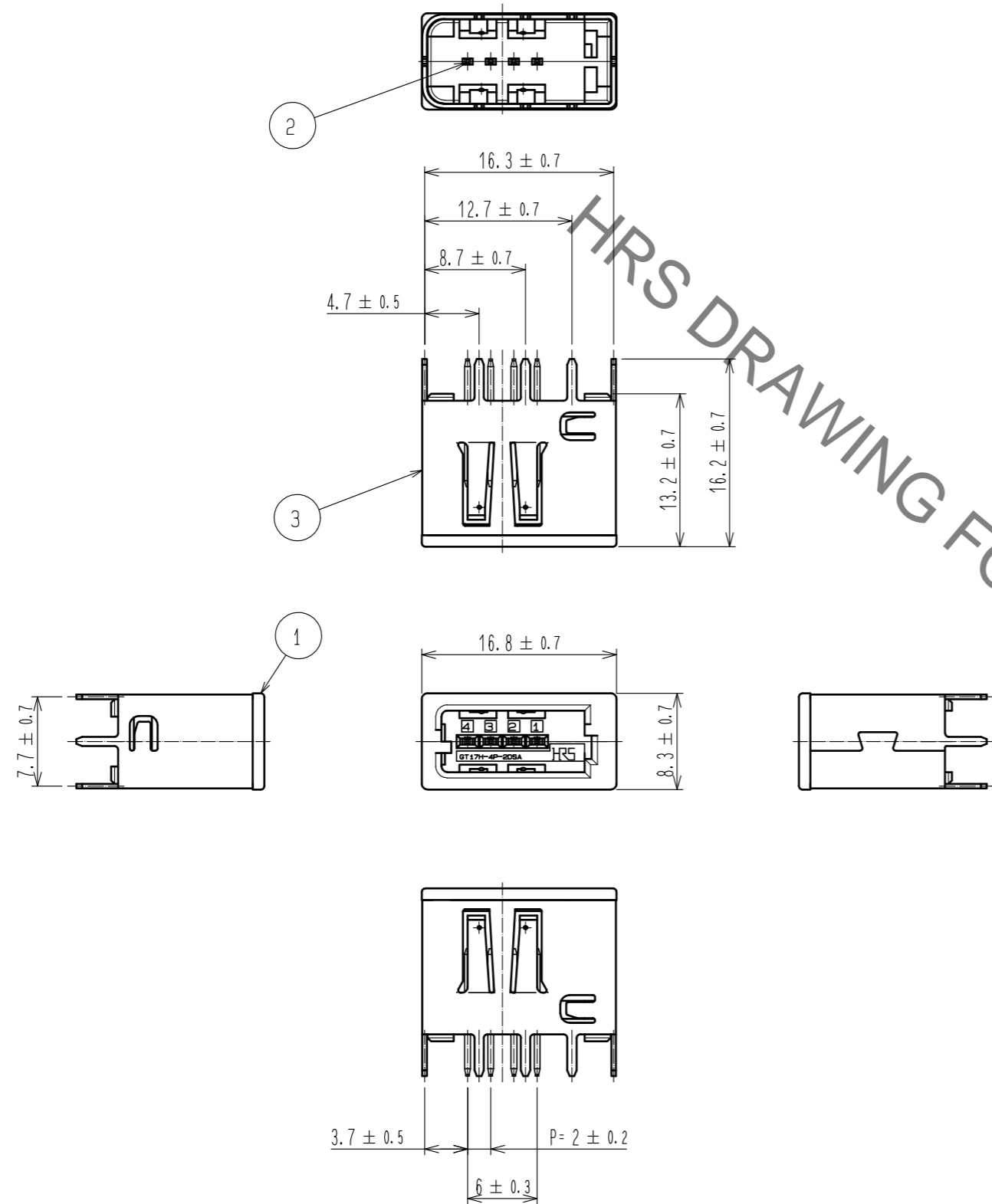


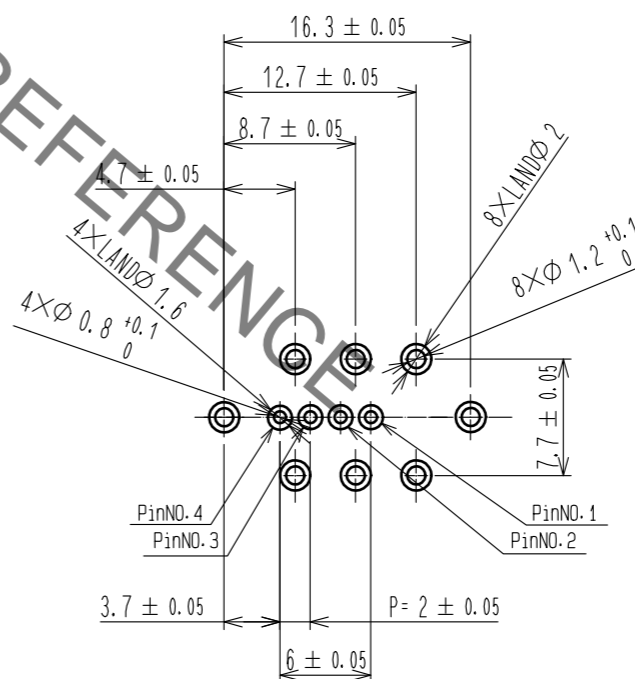
Jun.1.2019 Copyright 2019 HIROSE ELECTRIC CO., LTD. All Rights Reserved.
In case of consideration for using Automotive equipment / device which demand high reliability, kindly contact our sales window correspondents.

RoHS, ELV COMPLIANT

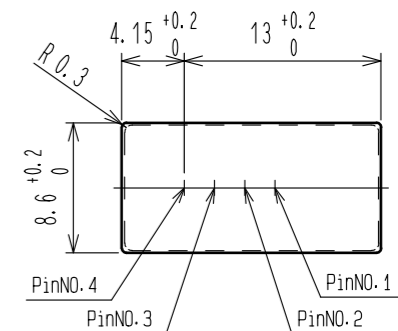
△ Modify the printed content and layout



RECOMMENDED PCB PATTERN (SOLDERING SIDE)



RECOMMENDED PANEL LAYOUT



- NOTE1. APPLICABLE CONNECTOR : GT17H-4S-ASSY
GT17HS-4S-ASSY
2. APPLICABLE PC BOARD : T=1.6mm
3. PACKAGE STYLE : TRAY

2	BRASS	TIN PLATING					
1	PPS	LIGHT GRAY	3	COPPER ALLOY	TIN PLATING		
NO.	MATERIAL	FINISH	REMARKS	NO.	MATERIAL	FINISH	REMARKS
UNITS	mm	SCALE	2 : 1	COUNT	1	DESCRIPTION OF REVISIONS	DIS-T-00003628
APPROVED : NH. NAKATA 15.01.23				DESIGNED		Y.T. TAKANASHI	
CHECKED : TS. KUBOTA 15.01.23				CHECKED		TH. MIZUGUCHI	
DESIGNED : KK. FURUKAWA 15.01.22				DRAWING NO.		EDC3-167040-00	
DRAWN : KK. FURUKAWA 15.01.22				PART NO.		GT17H-4P-2DSA	
HRS HIROSE ELECTRIC CO., LTD.				CODE NO.		CL767-0181-2-00	
						1/1	

X-ON Electronics

Largest Supplier of Electrical and Electronic Components

Click to view similar products for [Automotive Connectors](#) category:

Click to view products by [Hirose](#) manufacturer:

Other Similar products are found below :

[003-018-000](#) [60403001](#) [60993906-B](#) [M902-2131](#) [M902-2161](#) [72.330.1035.1](#) [73.353.4028.0](#) [F119300-B](#) [F166900](#) [F258300-B](#) [F358300-B](#)
[F407400](#) [F444110](#) [F487000](#) [F509500B-B](#) [827153-1](#) [8N1515-32-24P](#) [9-1326729-8](#) [925474-1](#) [928905-1](#) [964562-4](#) [968782-1](#) [GT17SA-8DS-](#)
[HU](#) [98891-1012](#) [98947-1016](#) [12004475-L](#) [12010290](#) [12010309-B](#) [12015454](#) [12020219-B](#) [12020308](#) [12041318-B](#) [12052225-L](#) [12052466](#)
[12059125](#) [12064869](#) [12004327-B](#) [12010503-B](#) [12015308](#) [12015384](#) [12015909](#) [1-21030-1](#) [12041254](#) [12041318](#) [12047946-B](#) [12047957](#)
[12047957-L](#) [12059473](#) [12066261](#) [12110546](#)