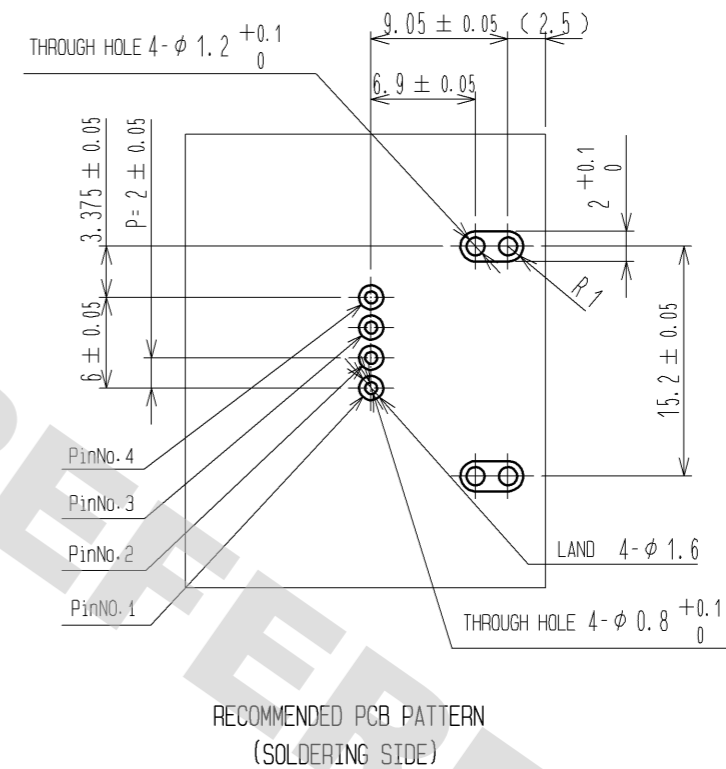
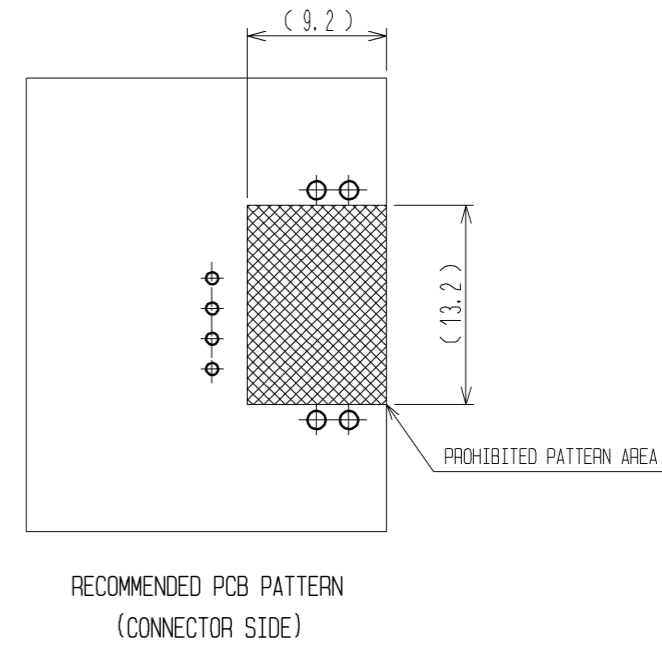
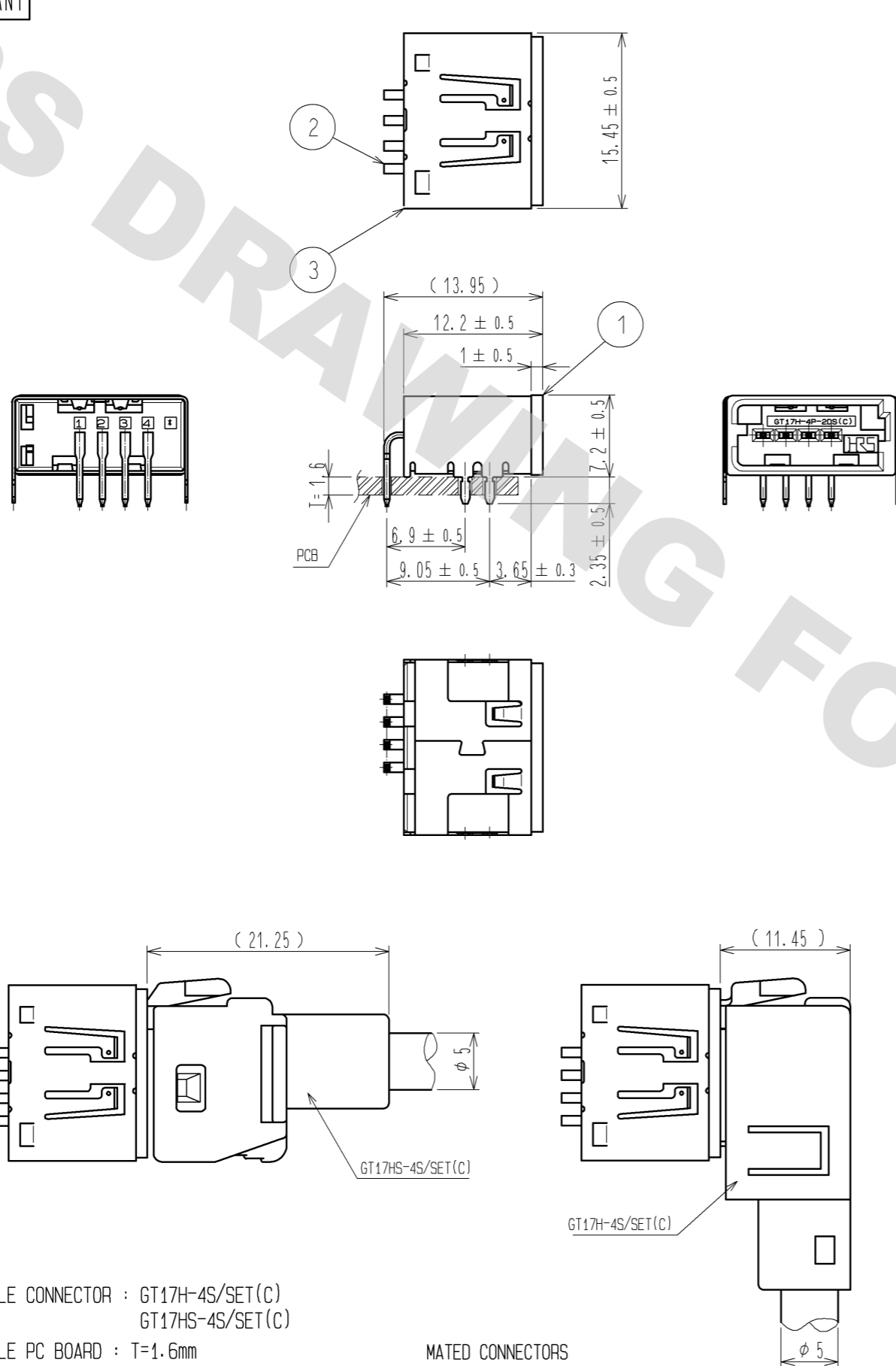


ELV, RoHS COMPLIANT



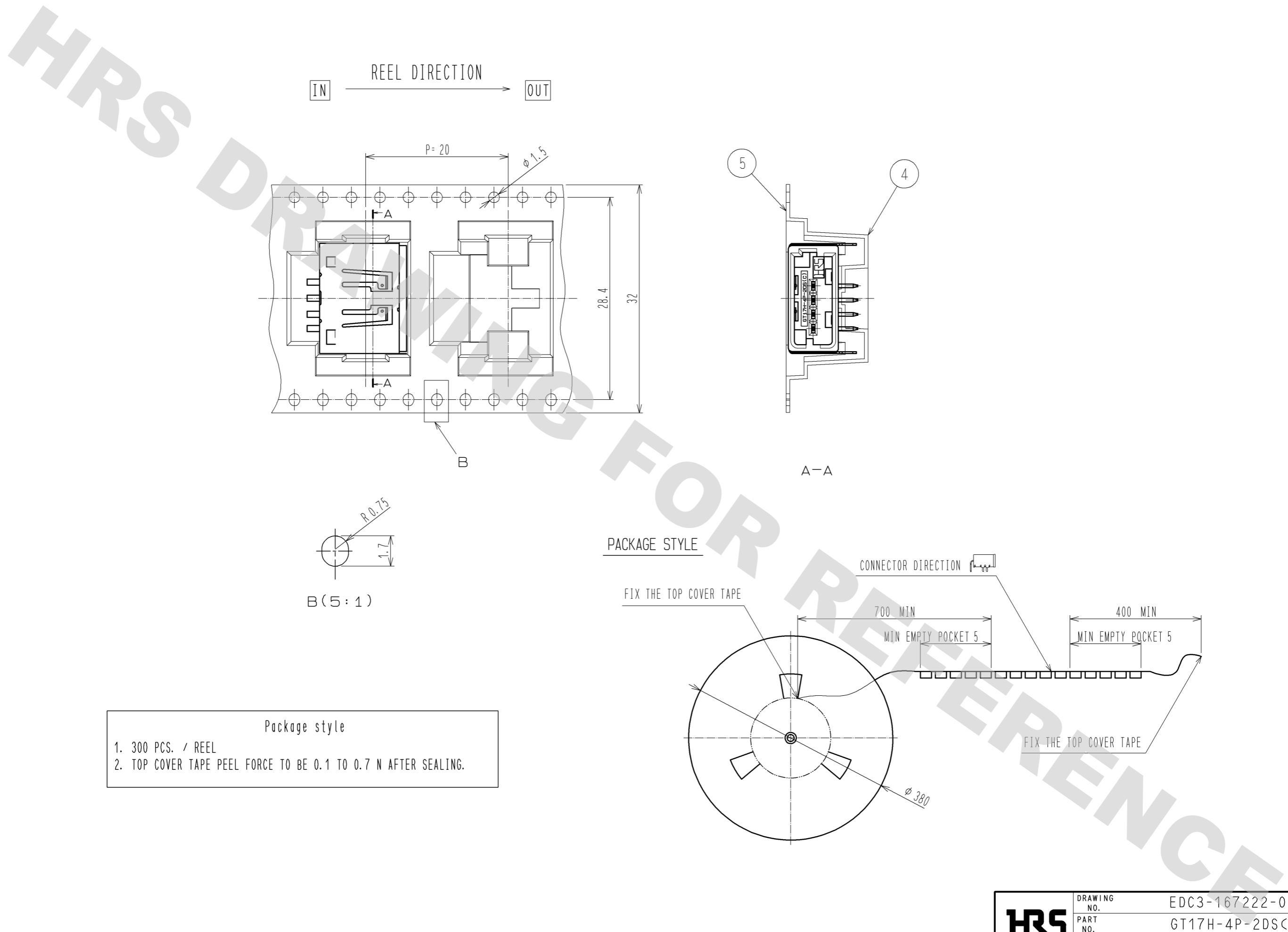
NOTE1. APPLICABLE CONNECTOR : GT17H-4S/SET(C)
GT17HS-4S/SET(C)
2. APPLICABLE PC BOARD : T=1.6mm

MATED CONNECTORS

3	COPPER ALLOY	TIN PLATING			
2	BRASS	TIN PLATING	5	PS	
1	PPS	BLUE	4	PS	
NO.	MATERIAL	FINISH . REMARKS	NO.	MATERIAL	FINISH . REMARKS
UNITS		SCALE	COUNT	DESCRIPTION OF REVISIONS	DESIGNED
mm		2 : 1			CHECKED
					DATE
APPROVED : AR. SHIRAI			10.12.28	DRAWING NO. EDC3-167222-00	
CHECKED : AR. SHIRAI			10.12.28	PART NO. GT17H-4P-2DS(C)	
DESIGNED : NH. NAKATA			10.12.28	CODE NO. CL767-0212-4-00	
DRAWN : NH. NAKATA			10.12.28		

DRAWING FOR REFERENCE: This is subject to change without notice
08/11/2012

DRAWING FOR REFERENCE: This is subject to change without notice
08/11/2012



Package style

- 300 PCS. / REEL
- TOP COVER TAPE PEEL FORCE TO BE 0.1 TO 0.7 N AFTER SEALING.

HRS	DRAWING NO.	EDC3-167222-00	\triangle 2/2
	PART NO.	GT17H-4P-2DS(C)	
	CODE NO.	CL767-0212-4-00	

X-ON Electronics

Largest Supplier of Electrical and Electronic Components

Click to view similar products for [Automotive Connectors](#) category:

Click to view products by [Hirose](#) manufacturer:

Other Similar products are found below :

[003-018-000](#) [60403001](#) [60993906-B](#) [M902-2131](#) [M902-2161](#) [72.330.1035.1](#) [73.353.4028.0](#) [F119300-B](#) [F166900](#) [F258300-B](#) [F358300-B](#)
[F407400](#) [F444110](#) [F487000](#) [F509500B-B](#) [827153-1](#) [8N1515-32-24P](#) [9-1326729-8](#) [925474-1](#) [928905-1](#) [964562-4](#) [968782-1](#) [GT17SA-8DS-](#)
[HU](#) [98891-1012](#) [98947-1016](#) [12004475-L](#) [12010290](#) [12010309-B](#) [12015454](#) [12020219-B](#) [12020308](#) [12041318-B](#) [12052225-L](#) [12052466](#)
[12059125](#) [12064869](#) [12004327-B](#) [12010503-B](#) [12015308](#) [12015384](#) [12015909](#) [1-21030-1](#) [12041254](#) [12041318](#) [12047946-B](#) [12047957](#)
[12047957-L](#) [12059473](#) [12066261](#) [12110546](#)