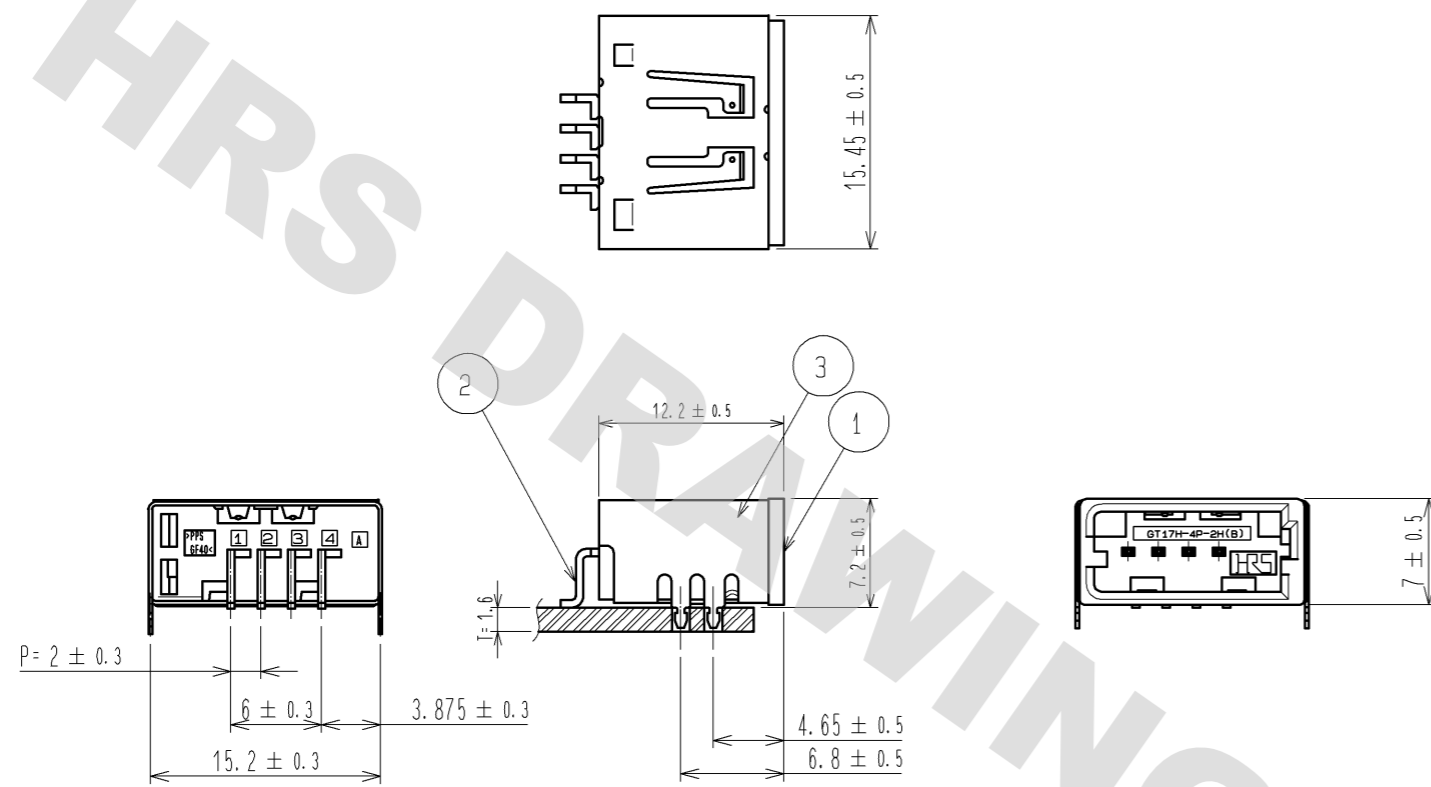
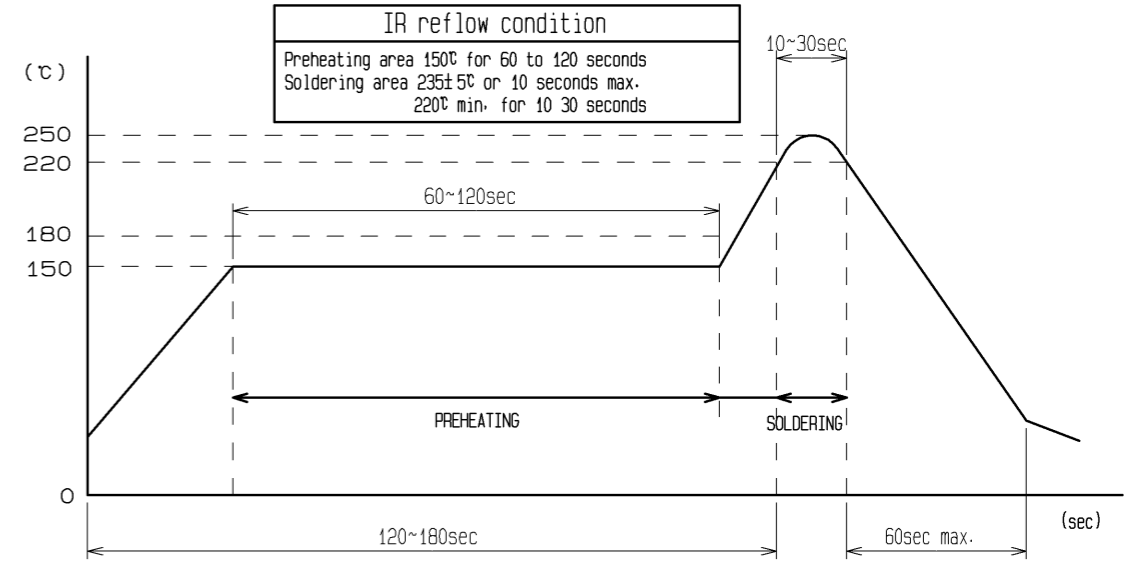


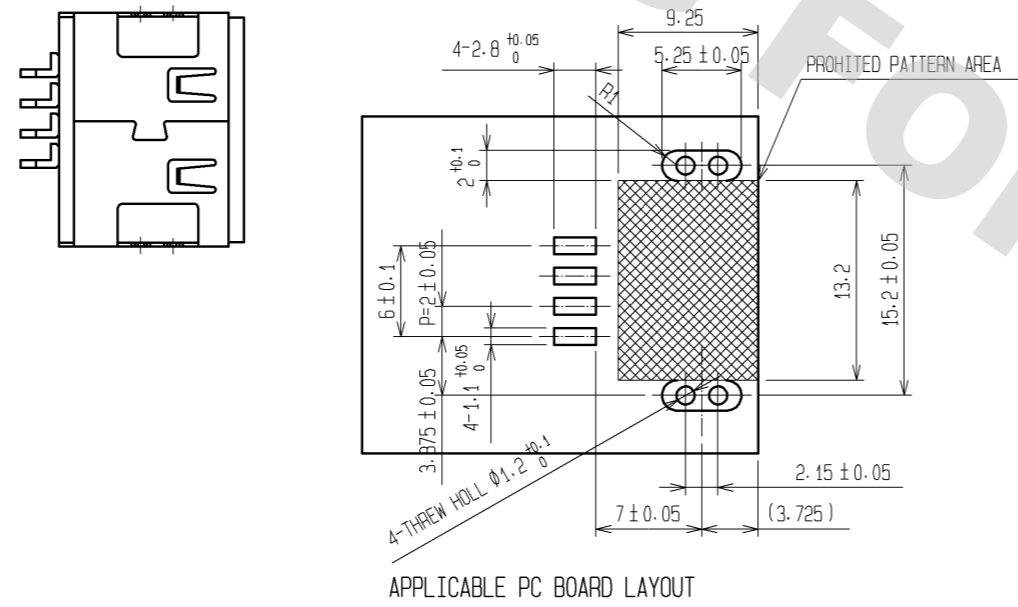
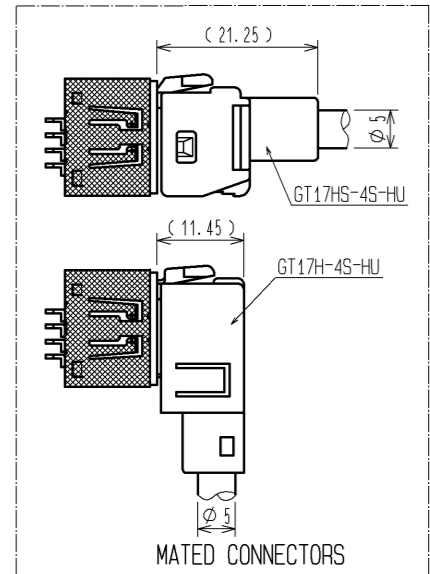
RoHS, ELV COMPLIANT



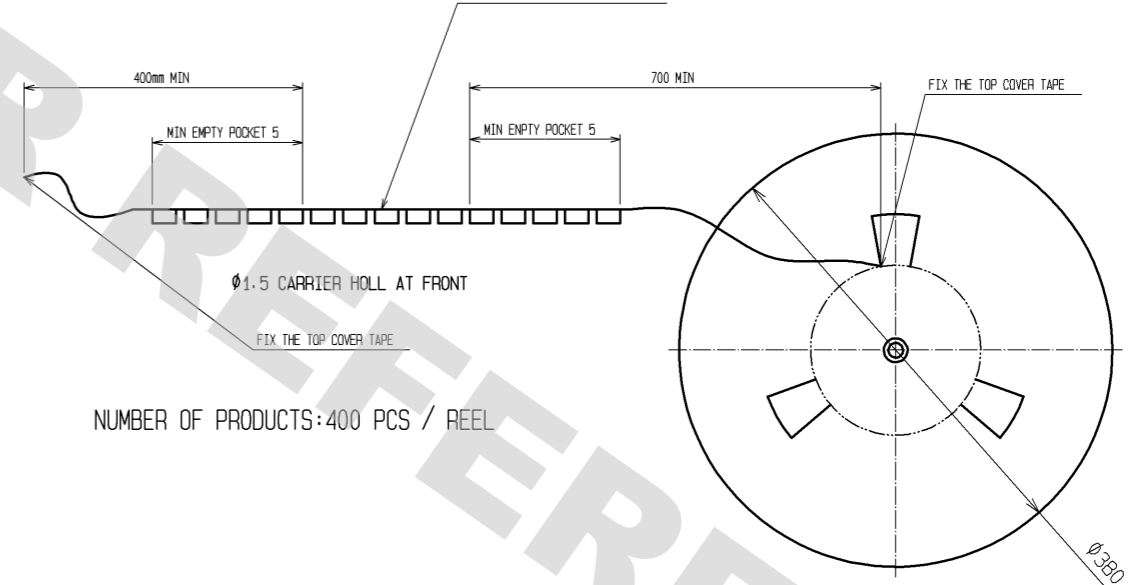
RECOMMENDED REFLOW PROFILE



Note1. The soldering process is allowed up to twice under the same condition. However, the interval between the first and second process must be maintained at the room temperature.
 Note2. The temperature indicates the board surface temperature on the connector lead area.



PACKAGEING STYLE



NUMBER OF PRODUCTS: 400 PCS / REEL

CL767-0083-3 GT17H-4P-2H COLOR : LIGHT GRAY	CL767-0170-6 GT17H-4P-2H(A) COLOR : BROWN	CL767-0171-9 GT17H-4P-2H(B) COLOR : GREEN	CL767-0172-1 GT17H-4P-2H(C) COLOR : BLUE
MATING INSULATOR : CL767-0084-6 GT17H-4S-2C COLOR : LIGHT GRAY	MATING INSULATOR : CL767-0167-1 GT17H-4S-2C(A) COLOR : BROWN	MATING INSULATOR : CL767-0168-4 GT17H-4S-2C(B) COLOR : GREEN	MATING INSULATOR : CL767-0169-7 GT17H-4S-2C(C) COLOR : BLUE

2	BRASS	Ni 1µm + SnCu PLATING 2µm	4		
1	PPS	GREEN	3	COPPER ALLOY	Sn PLATING 1µm
NO.	MATERIAL	FINISH . REMARKS	NO.	MATERIAL	FINISH . REMARKS
UNITS mm		SCALE 2 : 1	COUNT △	DESCRIPTION OF REVISIONS	DESIGNED CHECKED DATE
HRS HIROSE ELECTRIC CO., LTD.		APPROVED : AR. SHIRAI	10.04.05	DRAWING NO. EDC3-166943-00	
		CHECED : NH. NAKATA	10.04.05	PART NO. GT17H-4P-2H(B)	
		DESIGNED : MH. SHOUJI	10.04.05	CODE NO. CL767-0171-9-00	
		DRAWN : MH. SHOUJI	10.04.05	△ 1/1	

DRAWING FOR REFERENCE: This is subject to change without notice
08/11/2012

X-ON Electronics

Largest Supplier of Electrical and Electronic Components

Click to view similar products for [Automotive Connectors](#) category:

Click to view products by [Hirose](#) manufacturer:

Other Similar products are found below :

[003-018-000](#) [60403001](#) [60993906-B](#) [M902-2131](#) [M902-2161](#) [72.330.1035.1](#) [73.353.4028.0](#) [F119300-B](#) [F166900](#) [F258300-B](#) [F358300-B](#)
[F407400](#) [F444110](#) [F487000](#) [F509500B-B](#) [827153-1](#) [8N1515-32-24P](#) [9-1326729-8](#) [925474-1](#) [928905-1](#) [964562-4](#) [968782-1](#) [GT17SA-8DS-](#)
[HU](#) [98891-1012](#) [98947-1016](#) [12004475-L](#) [12010290](#) [12010309-B](#) [12015454](#) [12020219-B](#) [12020308](#) [12041318-B](#) [12052225-L](#) [12052466](#)
[12059125](#) [12064869](#) [12004327-B](#) [12010503-B](#) [12015308](#) [12015384](#) [12015909](#) [1-21030-1](#) [12041254](#) [12041318](#) [12047946-B](#) [12047957](#)
[12047957-L](#) [12059473](#) [12066261](#) [12110546](#)