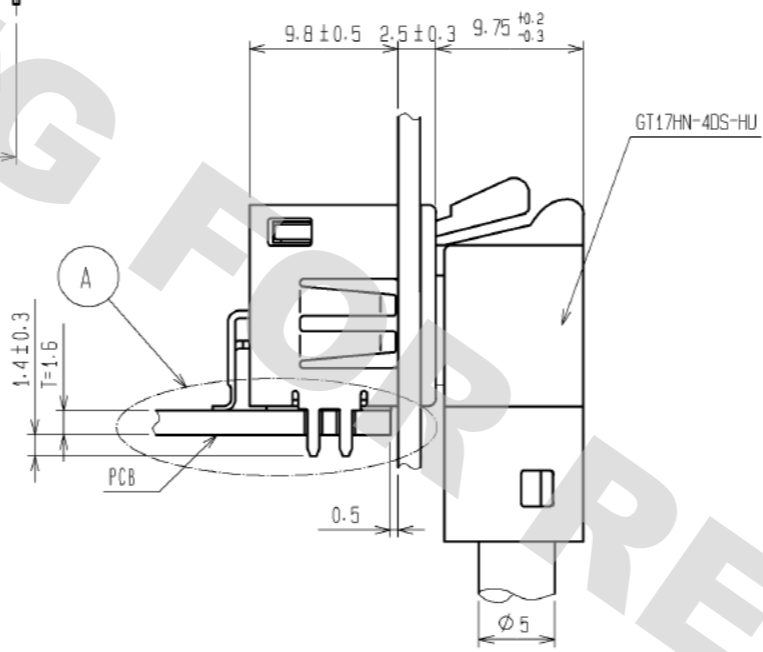
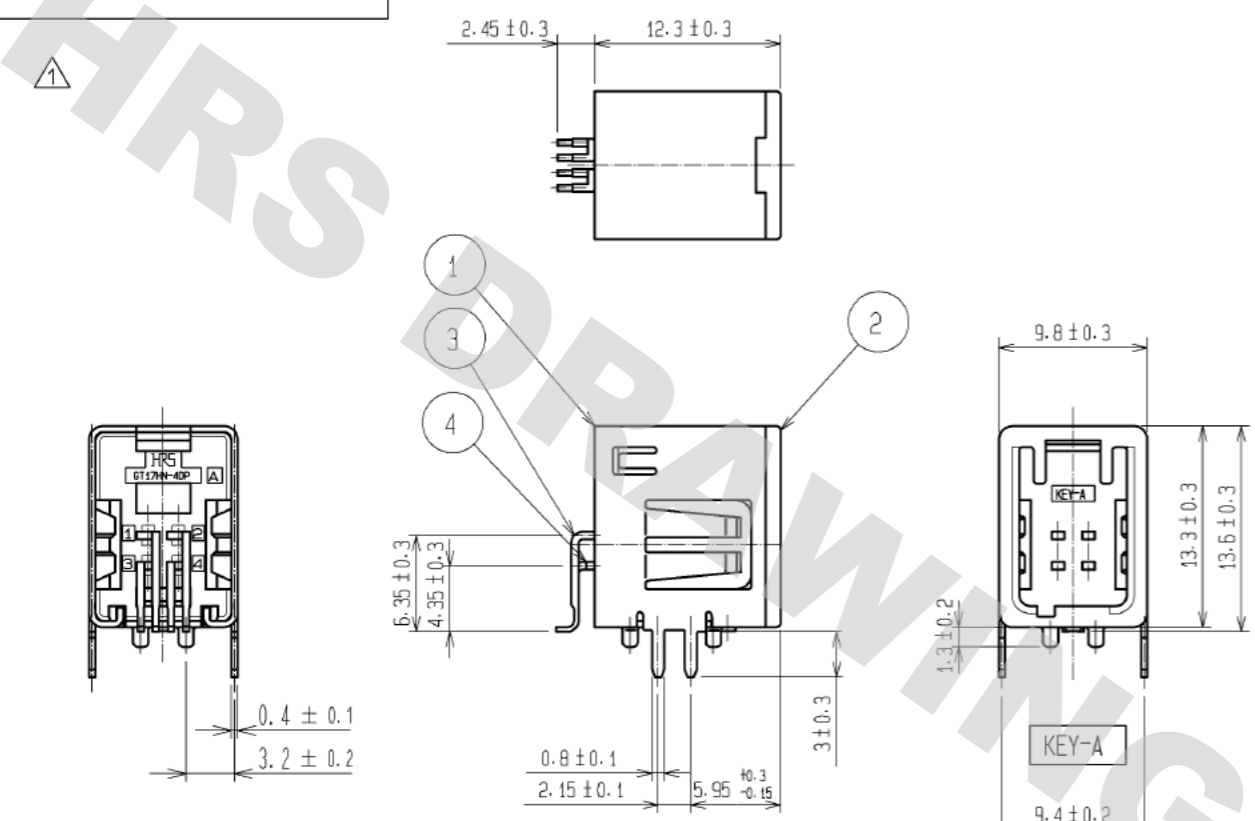
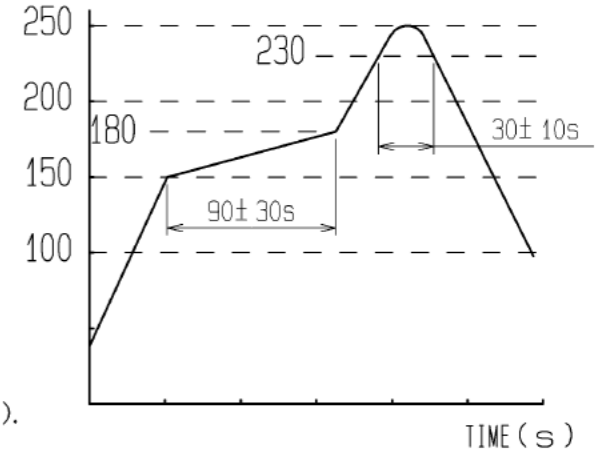


RoHS, ELV COMPLIANT

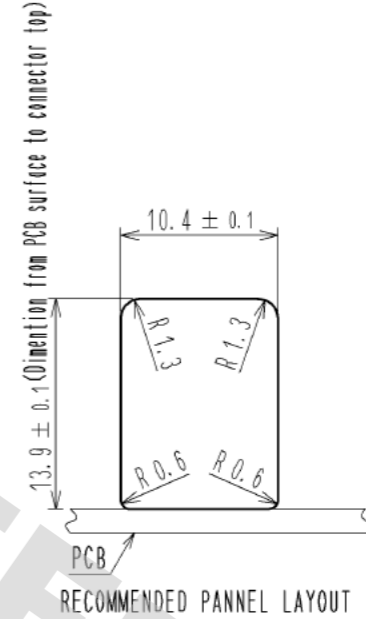
NOTES

- 1) RECOMMENDED REFLOW PROFILE (SEE RIGHT GRAPH)
CYCLE TIME: UP TO 2 CYCLES OF REFLOW SOLDERING ARE POSSIBLE UNDER THE CONDITIONS. PROVIDED THAT THERE IS A RETURN TO NOMAL TEMPERATURE BETWEEN THE FIRST AND SECOND CYCLE.
PEAK TEMPERATURE: 250°C
230°C MIN. FOR 20 TO 40 SECONDS.
PREHEATING AREA 150 TO 180 °C FOR 60 TO 120 SECONDS.
- 2) HAND SOLDERING: 280-300°C, 2S MAX.
- 3) CONTACT COPLANARITY: 0.1mm MAX.
- 4) RECOMMENDED THICKNESS OF PCB: 1.6mm
- 5) RECOMMENDED THICKNESS OF SOLDERING PASTE: 0.12mm
- 6) THIS PRODUCT CAN REPLACE CL767-0144-6-10 GT17HN-4DP-2H(A)(10).

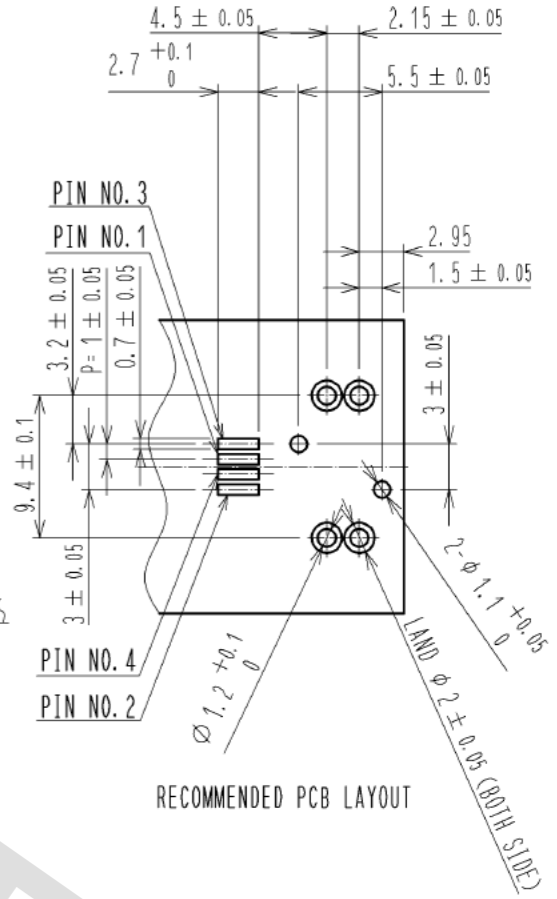
TEMP. (°C)



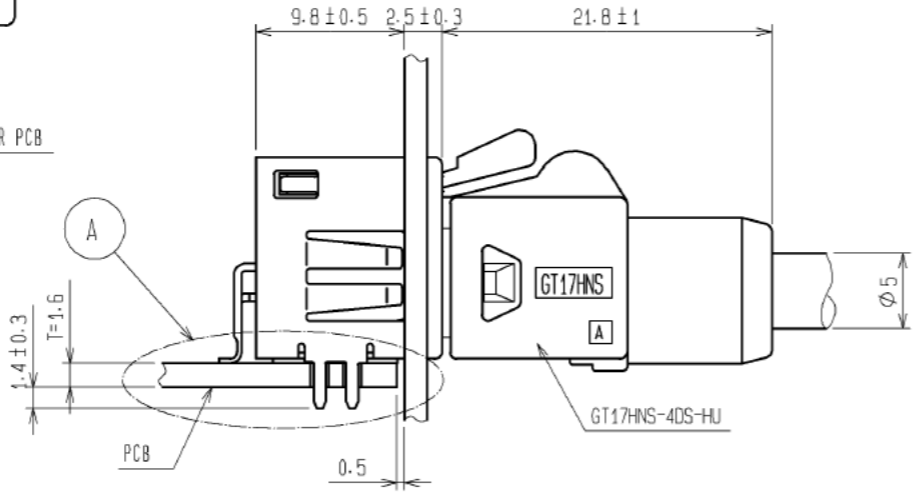
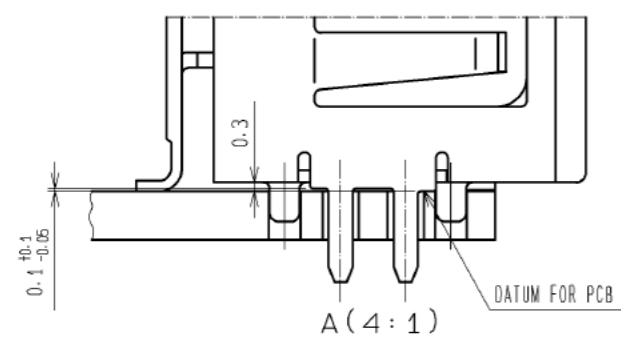
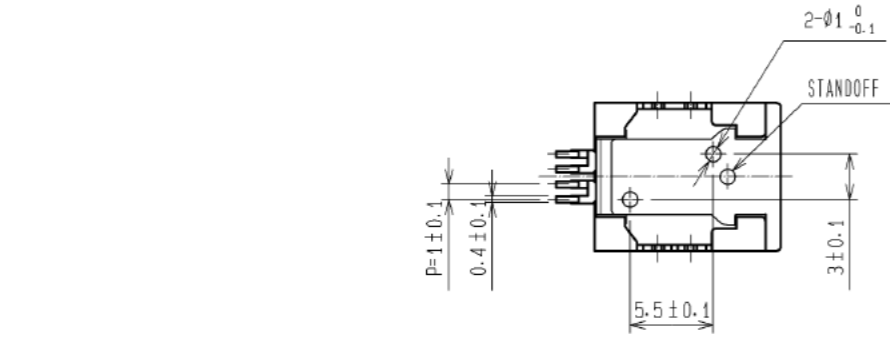
IN COMBINATION WITH RIGHT-ANGLE CONNECTOR



RECOMMENDED PANEL LAYOUT



RECOMMENDED PCB LAYOUT

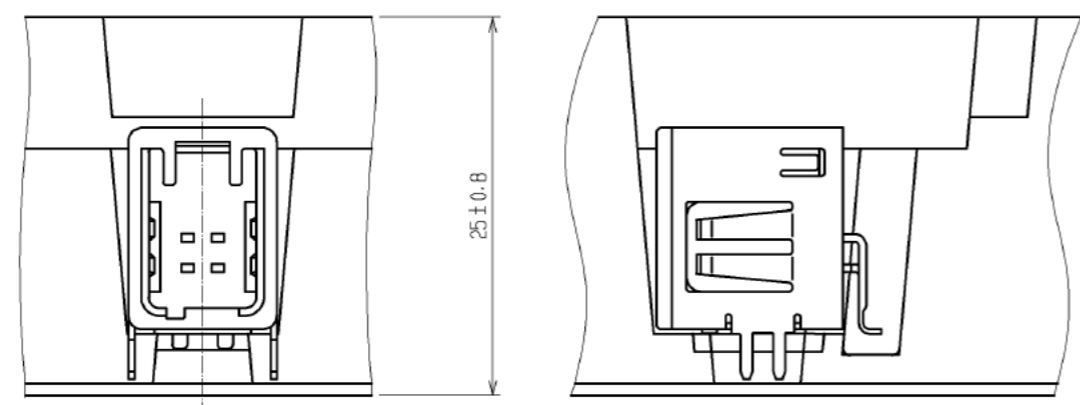
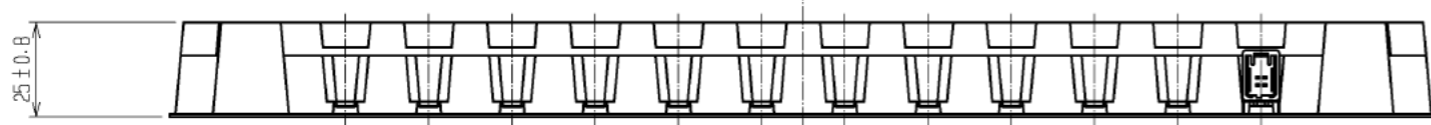
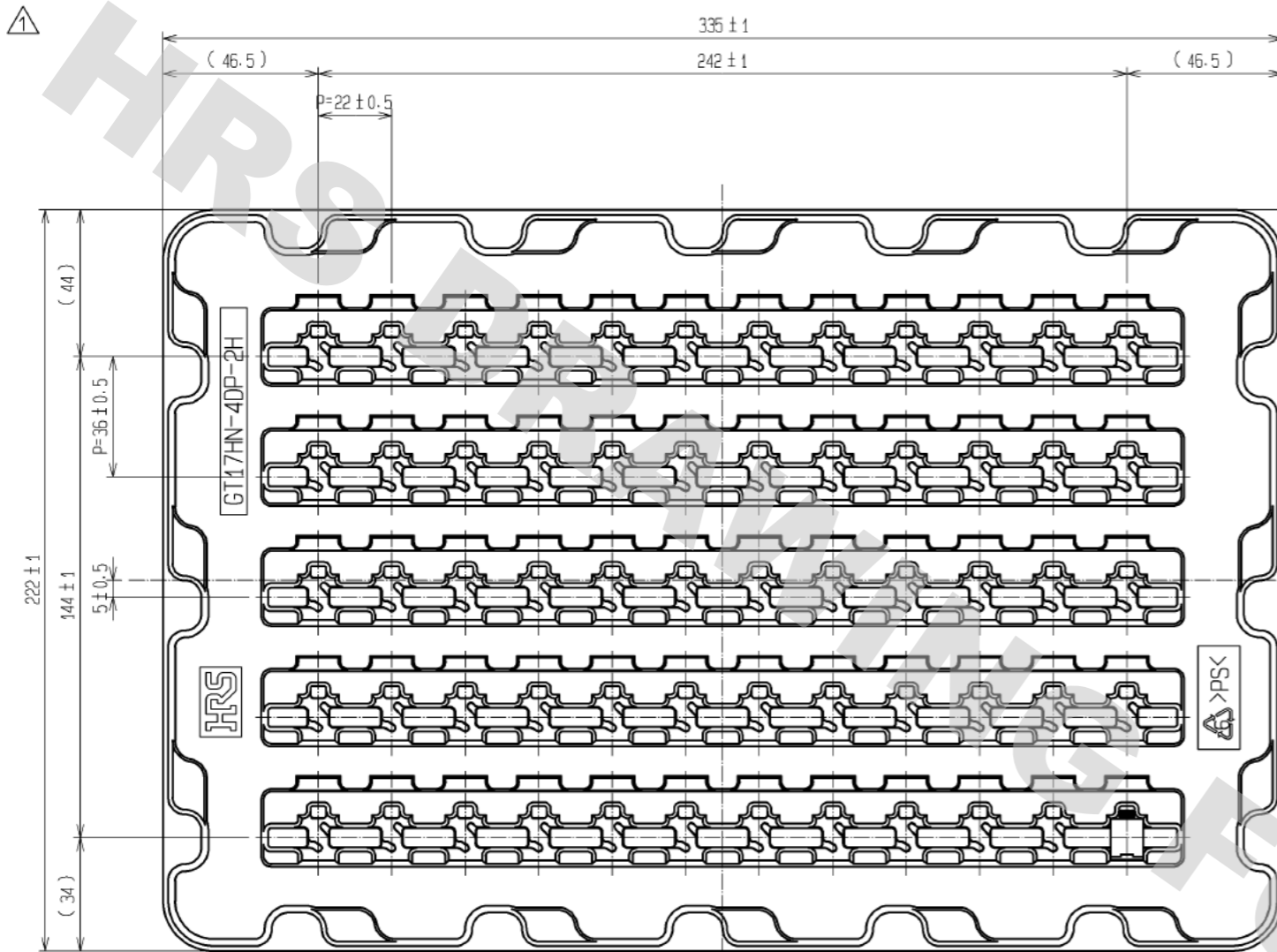


IN COMBINATION WITH STRAIGHT CONNECTOR

2	PA	BROWN	4	COPPER ALLOY	TIN PLATING		
1	COPPER ALLOY	TIN PLATING	3	COPPER ALLOY	TIN PLATING		
NO.	MATERIAL	FINISH . REMARKS	NO.	MATERIAL	FINISH . REMARKS		
UNITS	mm	SCALE	COUNT	DESCRIPTION OF REVISIONS	DESIGNED	CHECKED	DATE
mm		2 : 1	2	DIS-T-002937	KK. FURUKAWA	AR. SHIRAI	12. 10. 09
APPROVED : AR. SHIRAI		12. 03. 16		DRAWING NO.		EDC3-168892-01	
CHECKED : NH. NAKATA		12. 03. 16		PART NO.		GT17HN2-4DP-2H(A)(10)	
DESIGNED : KK. FURUKAWA		12. 03. 15		CODE NO.		CL767-0267-6-10	
DRAWN : KK. FURUKAWA		12. 03. 15					

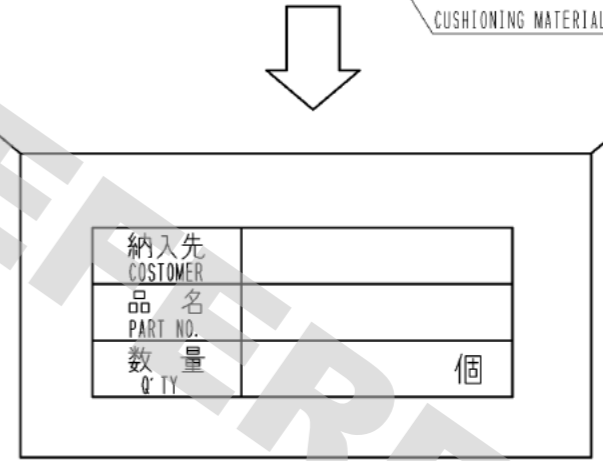
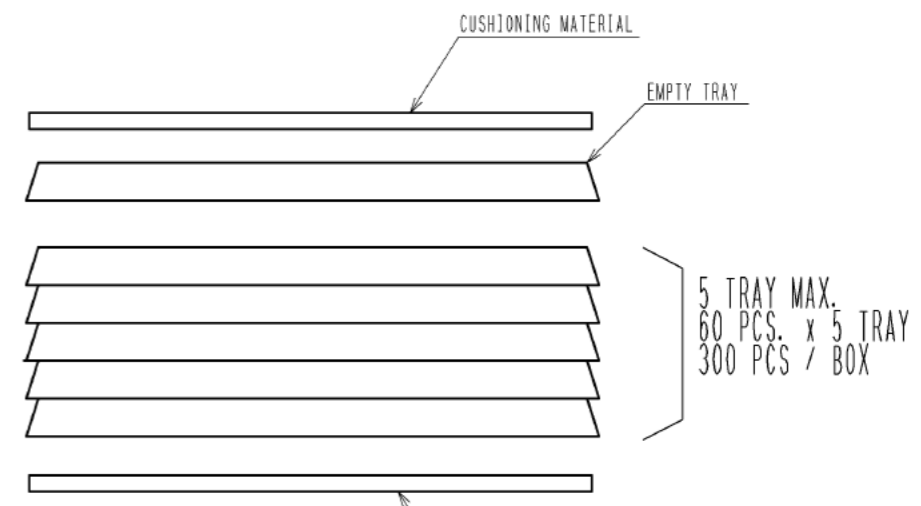
DRAWING FOR REFERENCE: This is subject to change without notice 05/31/2013

DRAWING FOR REFERENCE: This is subject to change without notice
05/31/2013



PACKAGING CONDITION(2:1)

PACKAGING STYLE
BOX SIZE: W=270, D=360, H=150



HRS	DRAWING NO.	EDC3-168892-01
	PART NO.	GT17HN2-4DP-2H(A)(10)
	CODE NO.	CL767-0267-6-10
		△ 2/2

X-ON Electronics

Largest Supplier of Electrical and Electronic Components

Click to view similar products for [Automotive Connectors](#) category:

Click to view products by [Hirose](#) manufacturer:

Other Similar products are found below :

[003-018-000](#) [60403001](#) [60993906-B](#) [M902-2131](#) [M902-2161](#) [72.330.1035.1](#) [73.353.4028.0](#) [F119300-B](#) [F166900](#) [F258300-B](#) [F358300-B](#)
[F407400](#) [F444110](#) [F487000](#) [F509500B-B](#) [827153-1](#) [8N1515-32-24P](#) [9-1326729-8](#) [925474-1](#) [928905-1](#) [964562-4](#) [968782-1](#) [GT17SA-8DS-](#)
[HU](#) [98891-1012](#) [98947-1016](#) [12004475-L](#) [12010290](#) [12010309-B](#) [12015454](#) [12020219-B](#) [12020308](#) [12041318-B](#) [12052225-L](#) [12052466](#)
[12059125](#) [12064869](#) [12004327-B](#) [12010503-B](#) [12015308](#) [12015384](#) [12015909](#) [1-21030-1](#) [12041254](#) [12041318](#) [12047946-B](#) [12047957](#)
[12047957-L](#) [12059473](#) [12066261](#) [12110546](#)