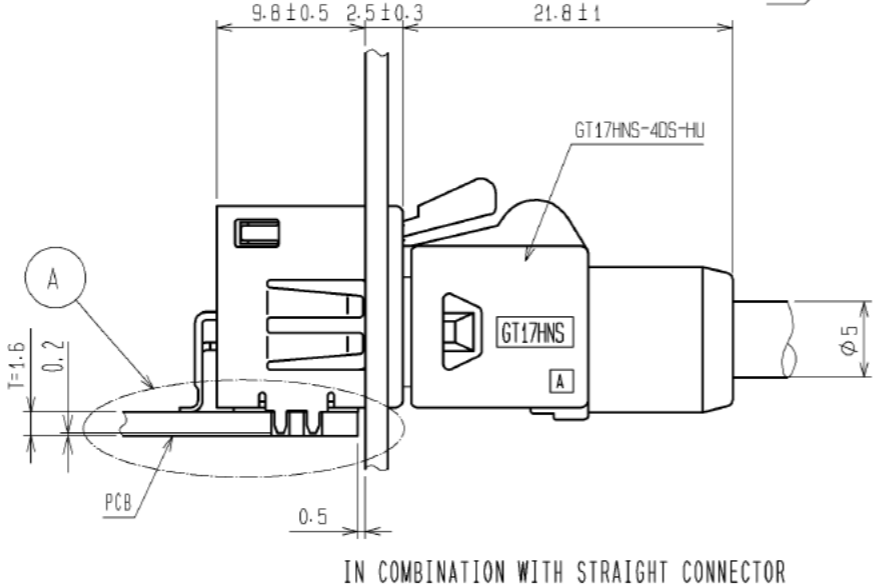
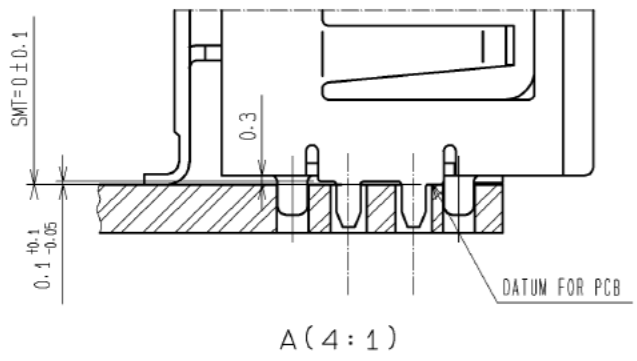
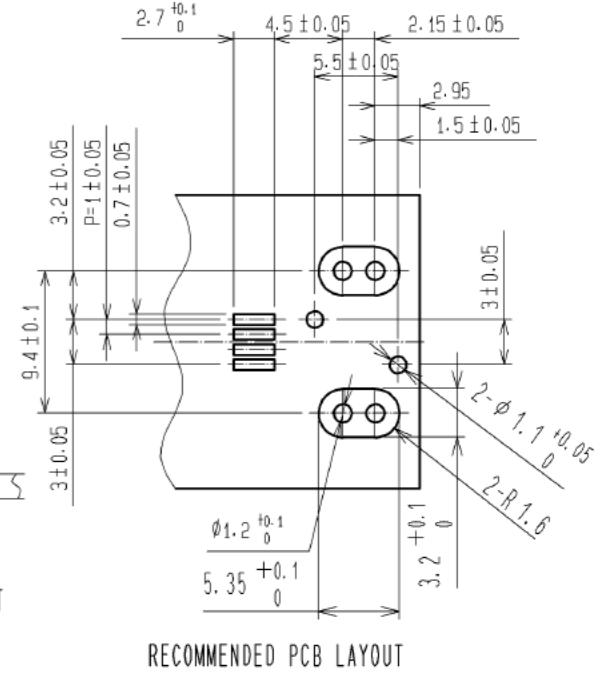
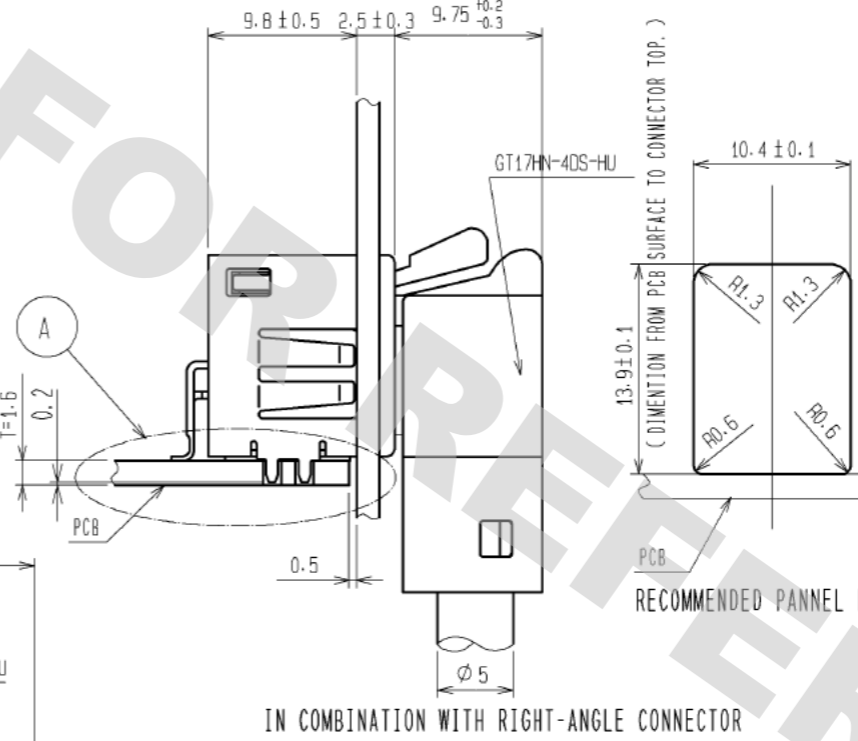
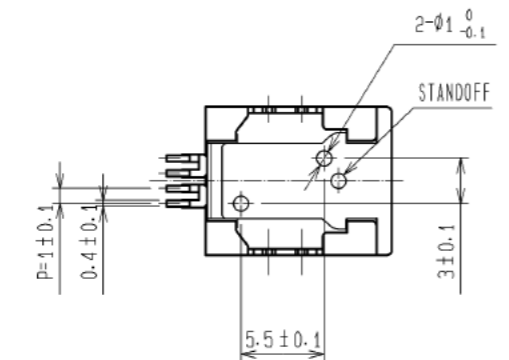
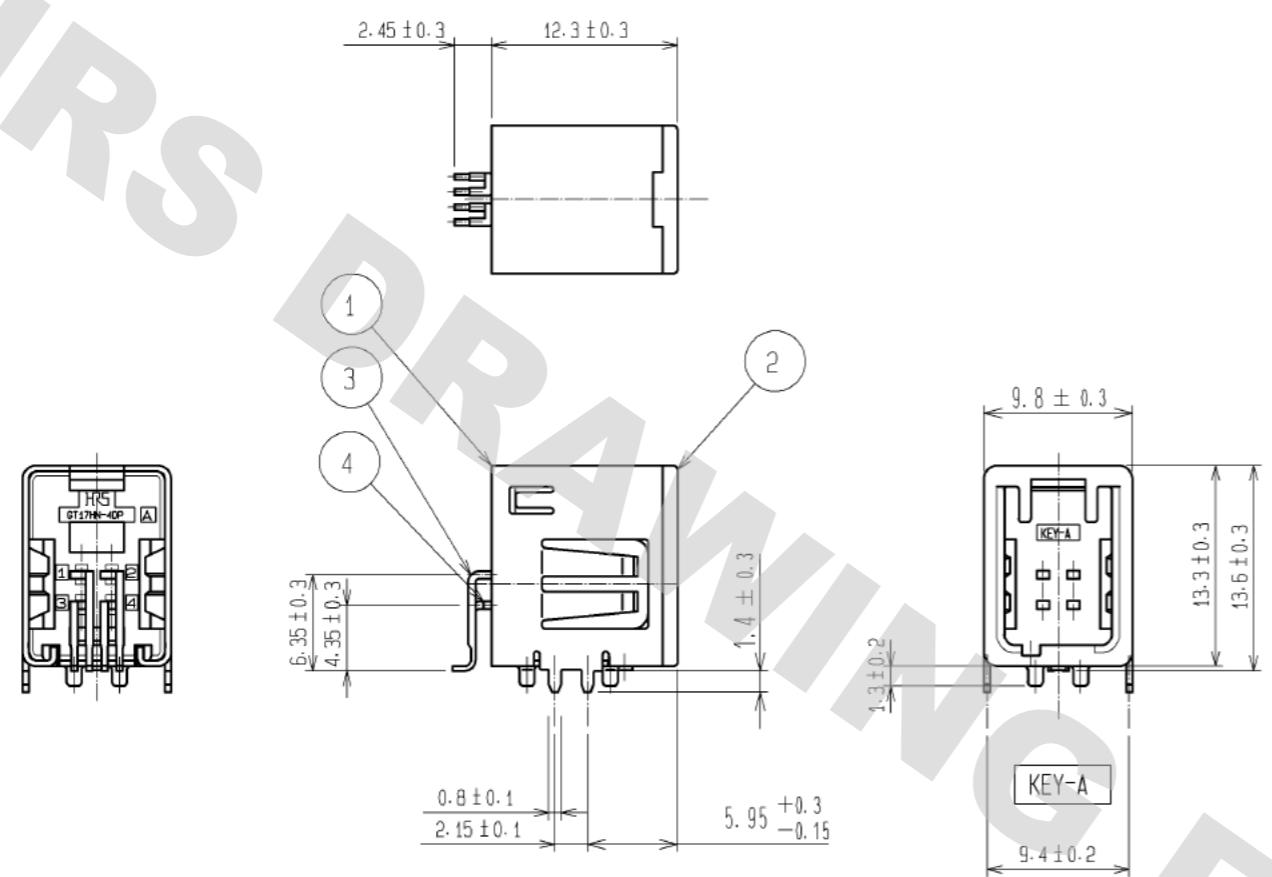
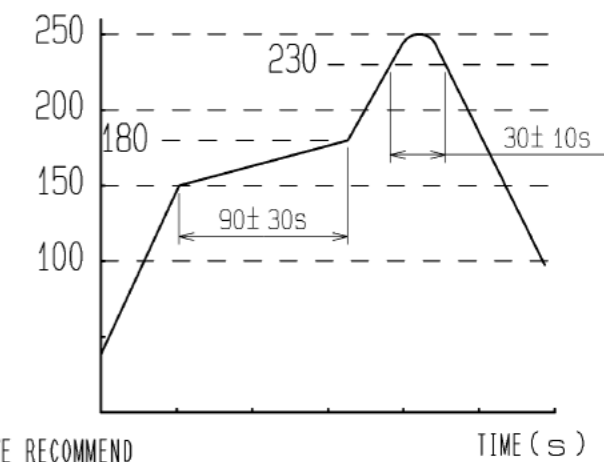


RoHS, ELV COMPLIANT

NOTES

- 1) RECOMMENDED REFLOW PROFILE (SEE RIGHT GRAPH)  
 CYCLE TIME: UP TO 2 CYCLES OF REFLOW SOLDERING ARE POSSIBLE UNDER THE CONDITIONS. PROVIDED THAT THERE IS A RETURN TO NOMAL TEMPERATURE BETWEEN THE FIRST AND SECOND CYCLE.  
 PEAK TEMPERATURE: 250°C  
 230°C MIN. FOR 20 TO 40 SECONDS.  
 PREHEATING AREA 150 TO 180 °C FOR 60 TO 120 SECONDS.
- 2) HAND SOLDERING: 280-300°C, 2S MAX.
- 3) CONTACT COPLANARITY: 0.1mm MAX.
- 4) RECOMMENDED THICKNESS OF PCB: 1.6mm
- 5) RECOMMENDED THICKNESS OF SOLDERING PASTE: 0.12mm
- 6) FOR THE PREVENTION EXCESSIVE STRESS FOR CONNECTOR AND PCB, WE RECOMMEND ADDITIONAL SUPPORT MECHANISM IF THE FLANGE WAS ELIMINATED.

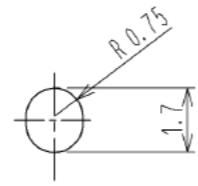
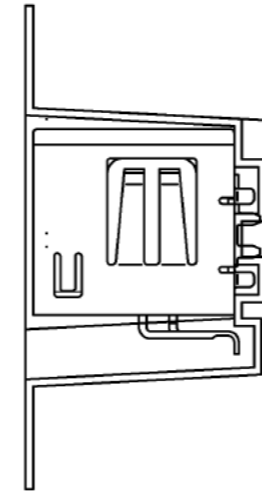
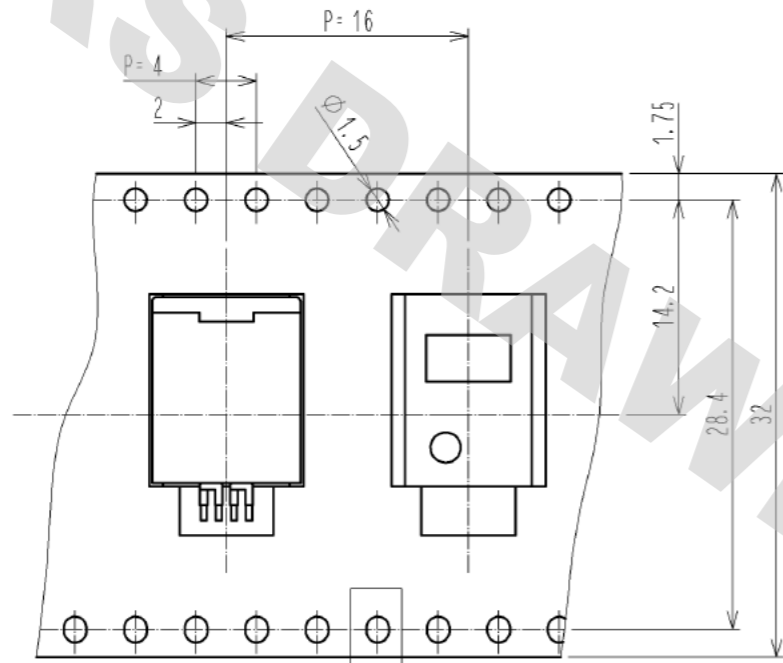
TEMP. (°C)



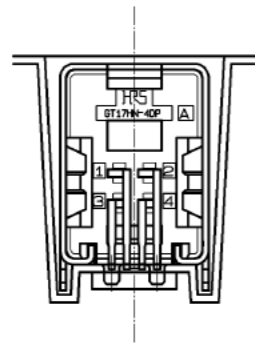
|  |              |                  |  |          |                          |
|--|--------------|------------------|--|----------|--------------------------|
| 2  | PA           | BLOWN            | 4  | BRASS    | TIN PLATING              |
| 1  | COPPER ALLOY | TIN PLATING      | 3  | BRASS    | TIN PLATING              |
| NO.  | MATERIAL     | FINISH . REMARKS | NO.  | MATERIAL | FINISH . REMARKS         |
| UNITS  | mm           | SCALE            | 2 : 1  | COUNT    | DESCRIPTION OF REVISIONS |
| APPROVED : AR. SHIRAI  |              | 12.07.13         |  | DESIGNED | DATE                     |
| CHECKED : NH. NAKATA   |              | 12.07.13         |  | DESIGNED | DATE                     |
| DESIGNED : KK. FURUKAWA  |              | 12.07.12         |  | CHECKED  | DATE                     |
| DRAWN : KK. FURUKAWA   |              | 12.07.12         |  | DATE     |                          |
| HIROSE ELECTRIC CO., LTD.  |              |                  | APPROVED : AR. SHIRAI 12.07.13<br>CHECKED : NH. NAKATA 12.07.13<br>DESIGNED : KK. FURUKAWA 12.07.12<br>DRAWN : KK. FURUKAWA 12.07.12 |          |                          |
| DRAWING NO. EDC3-168892-02<br>PART NO. GT17HN2-4DP-2H(A)(16)<br>CODE NO. CL767-0267-6-16 |              |                  | DATE 12.07.13  |          |                          |

DRAWING FOR REFERENCE: This is subject to change without notice 05/31/2013

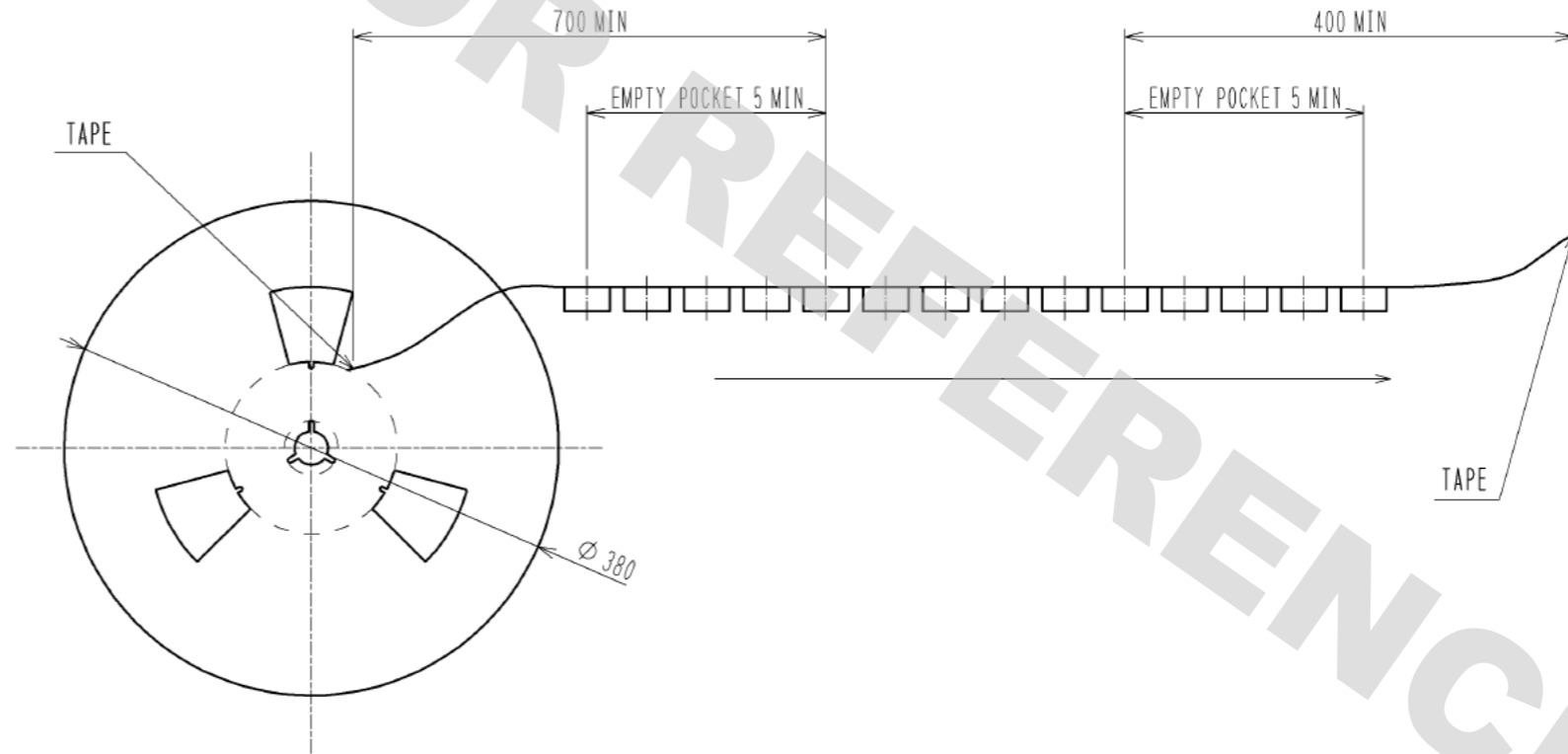
REEL DIRECTION



E (5:1)



PACKAGE STYLE  
300PCS/REEL



|            |             |                       |  |
|------------|-------------|-----------------------|--|
| <b>HRS</b> | DRAWING NO. | EDC3-168892-02        |  |
|            | PART NO.    | GT17HN2-4DP-2H(A)(16) |  |
|            | CODE NO.    | CL767-0267-6-16       |  |
|            |             |                       |  |

DRAWING FOR REFERENCE: This is subject to change without notice  
05/31/2013

## X-ON Electronics

Largest Supplier of Electrical and Electronic Components

*Click to view similar products for [Automotive Connectors](#) category:*

*Click to view products by [Hirose](#) manufacturer:*

Other Similar products are found below :

[003-018-000](#) [60403001](#) [60993906-B](#) [M902-2131](#) [M902-2161](#) [72.330.1035.1](#) [73.353.4028.0](#) [F119300-B](#) [F166900](#) [F258300-B](#) [F358300-B](#)  
[F407400](#) [F444110](#) [F487000](#) [F509500B-B](#) [827153-1](#) [8N1515-32-24P](#) [9-1326729-8](#) [925474-1](#) [928905-1](#) [964562-4](#) [968782-1](#) [GT17SA-8DS-](#)  
[HU](#) [98891-1012](#) [98947-1016](#) [12004475-L](#) [12010290](#) [12010309-B](#) [12015454](#) [12020219-B](#) [12020308](#) [12041318-B](#) [12052225-L](#) [12052466](#)  
[12059125](#) [12064869](#) [12004327-B](#) [12010503-B](#) [12015308](#) [12015384](#) [12015909](#) [1-21030-1](#) [12041254](#) [12041318](#) [12047946-B](#) [12047957](#)  
[12047957-L](#) [12059473](#) [12066261](#) [12110546](#)