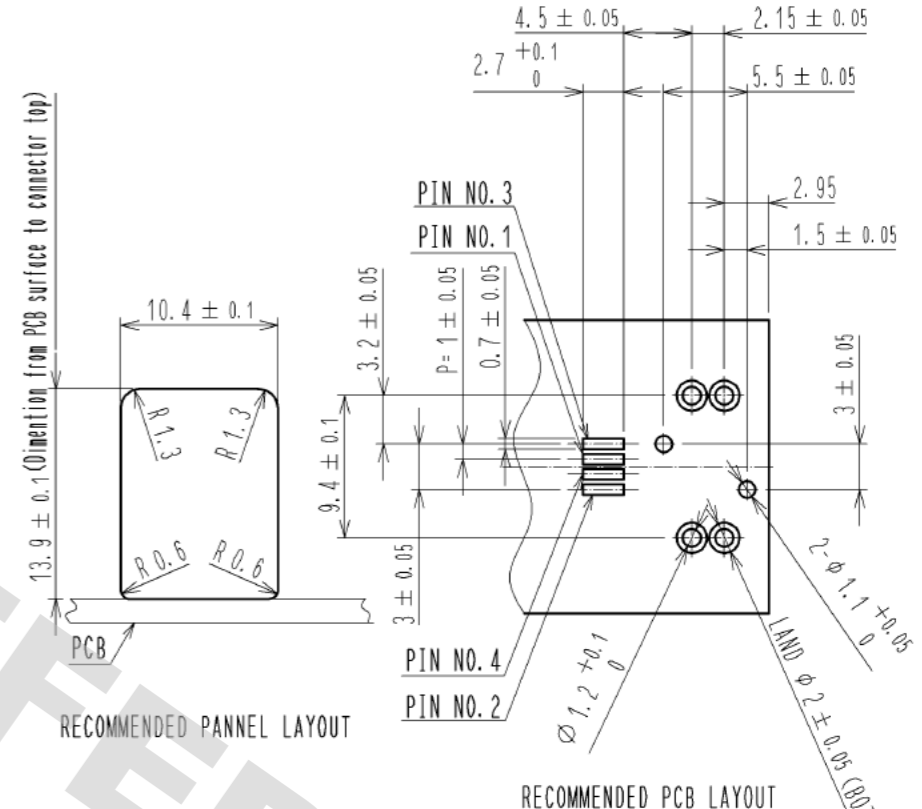
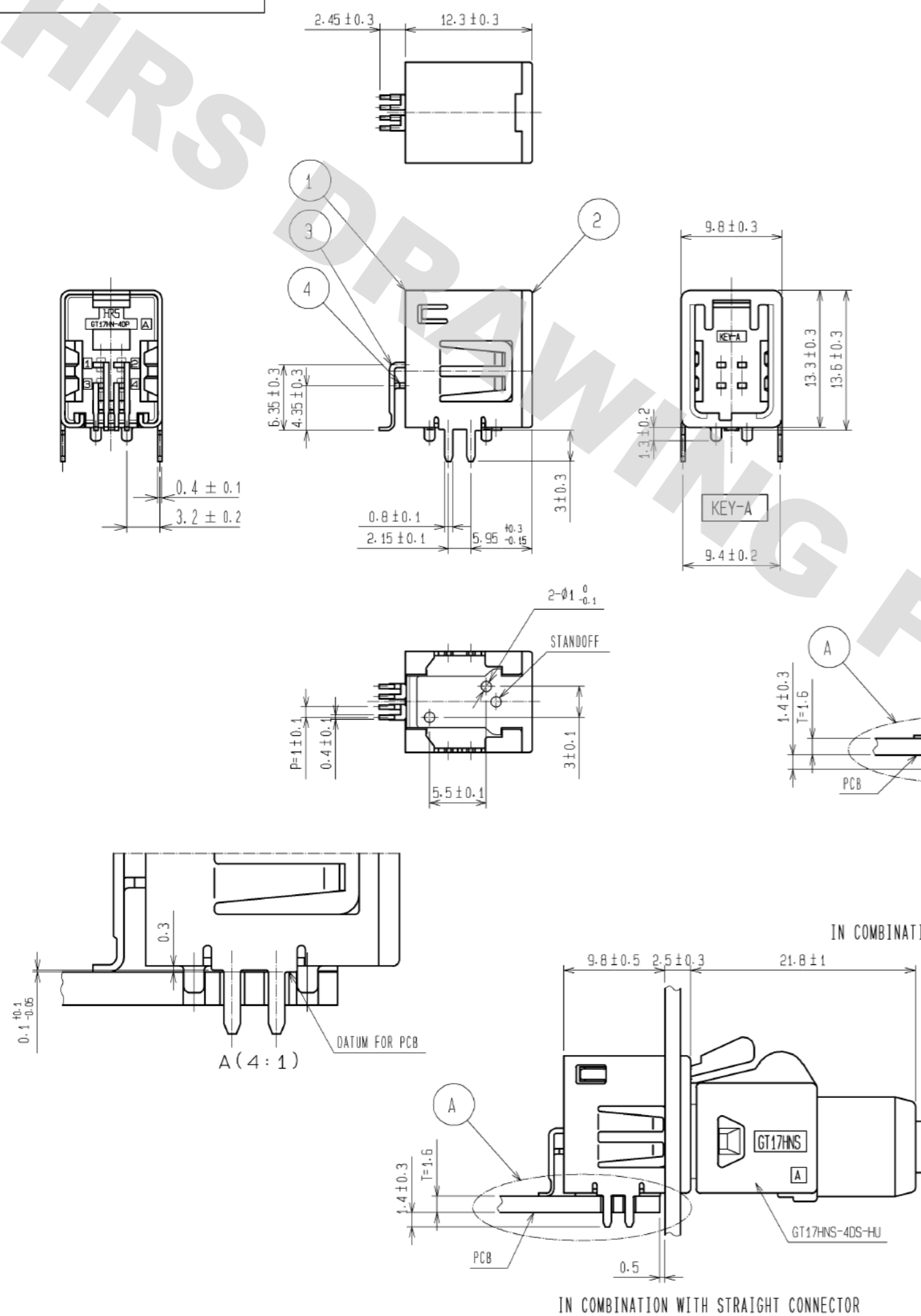
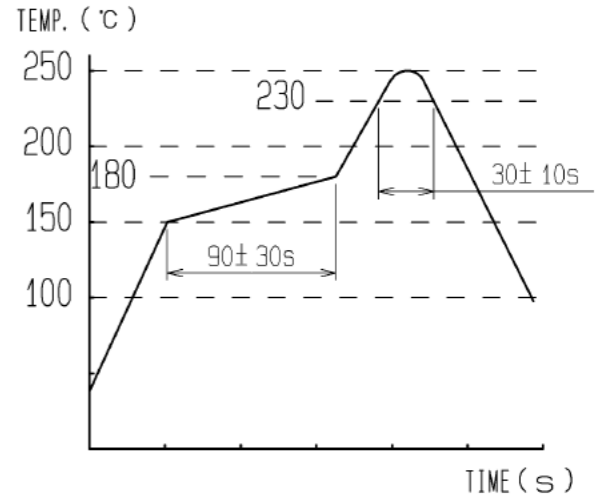


RoHS, ELV COMPLIANT

NOTES

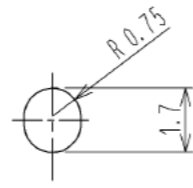
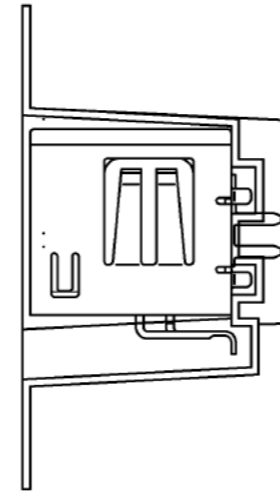
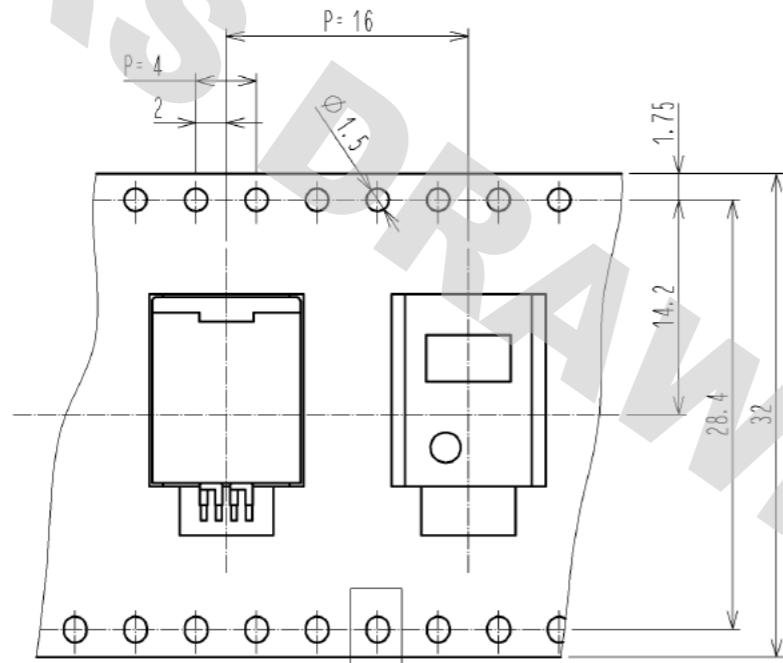
- 1) RECOMMENDED REFLOW PROFILE (SEE RIGHT GRAPH)
CYCLE TIME: UP TO 2 CYCLES OF REFLOW SOLDERING ARE POSSIBLE UNDER THE CONDITIONS. PROVIDED THAT THERE IS A RETURN TO NOMAL TEMPERATURE BETWEEN THE FIRST AND SECOND CYCLE.
PEAK TEMPERATURE: 250°C
230°C MIN. FOR 20 TO 40 SECONDS.
PREHEATING AREA 150 TO 180 °C FOR 60 TO 120 SECONDS.
- 2) HAND SOLDERING: 280-300°C, 2S MAX.
- 3) CONTACT COPLANARITY: 0.1mm MAX.
- 4) RECOMMENDED THICKNESS OF PCB: 1.6mm
- 5) RECOMMENDED THICKNESS OF SOLDERING PASTE: 0.12mm



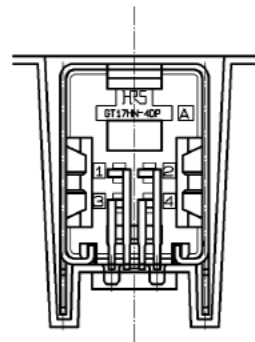
2	PA	BROWN	4	COPPER ALLOY	TIN PLATING
1	COPPER ALLOY	TIN PLATING	3	COPPER ALLOY	TIN PLATING
NO.	MATERIAL	FINISH . REMARKS	NO.	MATERIAL	FINISH . REMARKS
UNITS	mm	SCALE	2 : 1	COUNT	DESCRIPTION OF REVISIONS
APPROVED : NH. NAKATA		12.12.11		DRAWING NO. EDC3-168892-03	
CHECKED : TS. KUBOTA		12.12.11		PART NO. GT17HN2-4DP-2H(A)(30)	
DESIGNED : KK. FURUKAWA		12.12.07		CODE NO. CL767-0267-6-30	
DRAWN : KK. FURUKAWA		12.12.07		DATE	

DRAWING FOR REFERENCE: This is subject to change without notice
05/31/2013

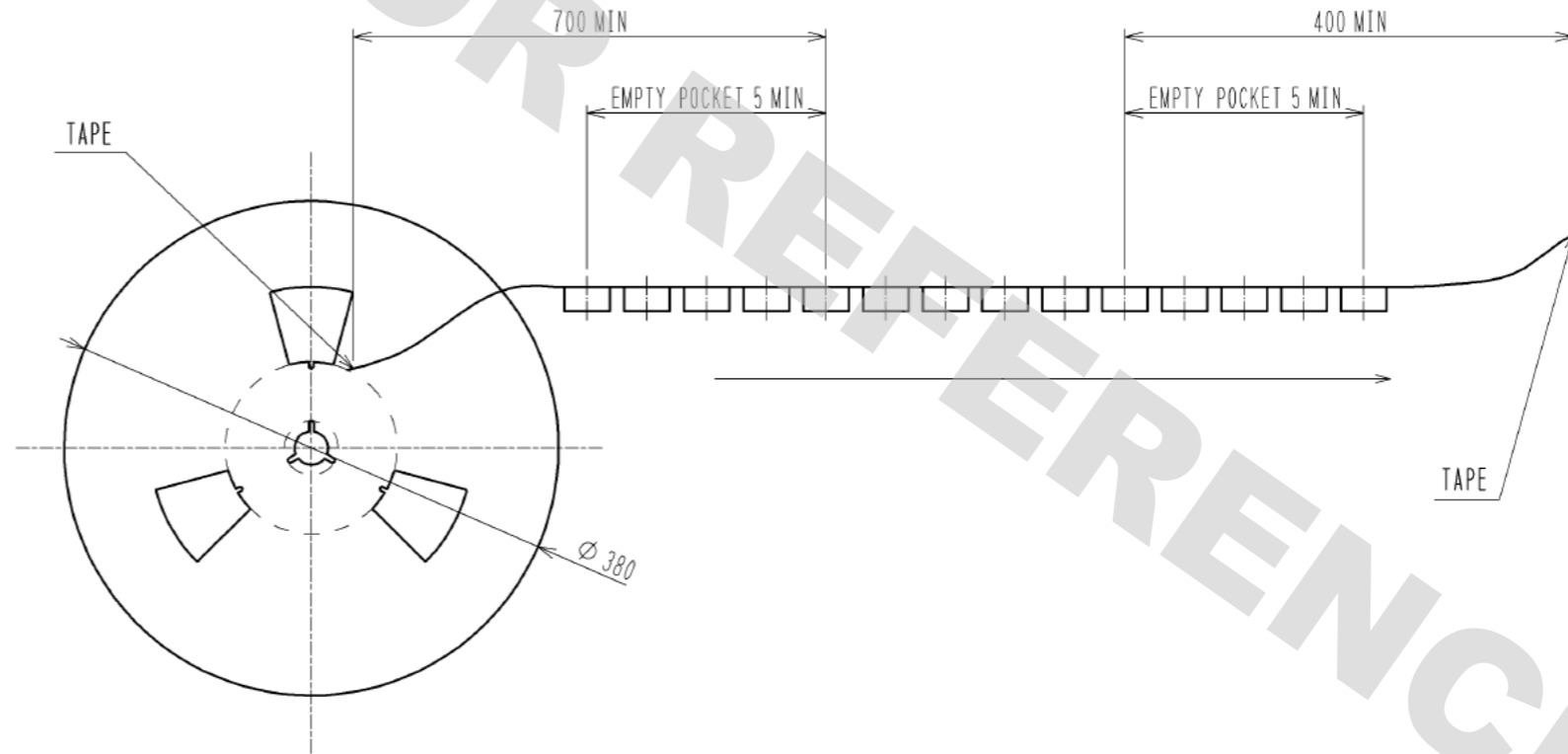
REEL DIRECTION



E (5:1)



PACKAGE STYLE
300PCS/REEL



HRS	DRAWING NO.	EDC3-168892-03
	PART NO.	GT17HN2-4DP-2H(A)(30)
	CODE NO.	CL767-0267-6-30
		$\triangle 2/2$

DRAWING FOR REFERENCE: This is subject to change without notice
05/31/2013

X-ON Electronics

Largest Supplier of Electrical and Electronic Components

Click to view similar products for [Automotive Connectors](#) category:

Click to view products by [Hirose](#) manufacturer:

Other Similar products are found below :

[003-018-000](#) [60403001](#) [60993906-B](#) [M902-2131](#) [M902-2161](#) [72.330.1035.1](#) [73.353.4028.0](#) [F119300-B](#) [F166900](#) [F258300-B](#) [F358300-B](#)
[F407400](#) [F444110](#) [F487000](#) [F509500B-B](#) [827153-1](#) [8N1515-32-24P](#) [9-1326729-8](#) [925474-1](#) [928905-1](#) [964562-4](#) [968782-1](#) [GT17SA-8DS-](#)
[HU](#) [98891-1012](#) [98947-1016](#) [12004475-L](#) [12010290](#) [12010309-B](#) [12015454](#) [12020219-B](#) [12020308](#) [12041318-B](#) [12052225-L](#) [12052466](#)
[12059125](#) [12064869](#) [12004327-B](#) [12010503-B](#) [12015308](#) [12015384](#) [12015909](#) [1-21030-1](#) [12041254](#) [12041318](#) [12047946-B](#) [12047957](#)
[12047957-L](#) [12059473](#) [12066261](#) [12110546](#)