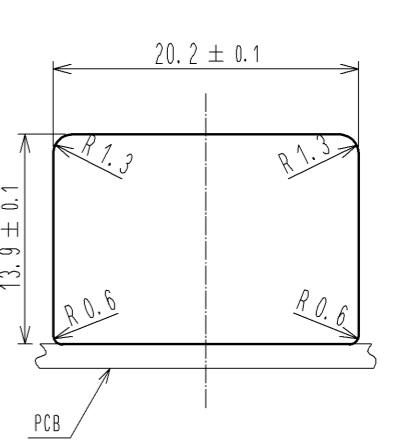
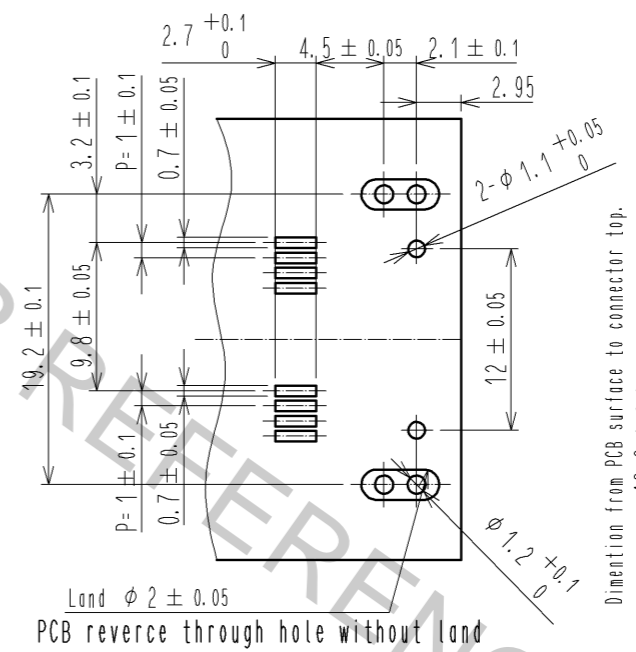
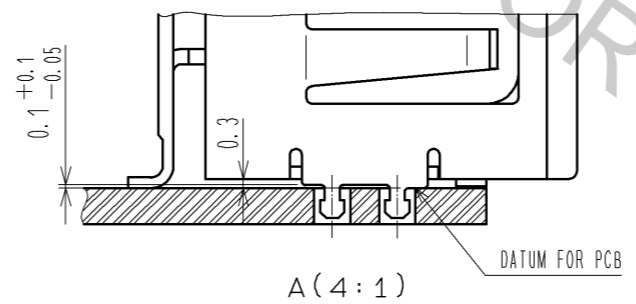
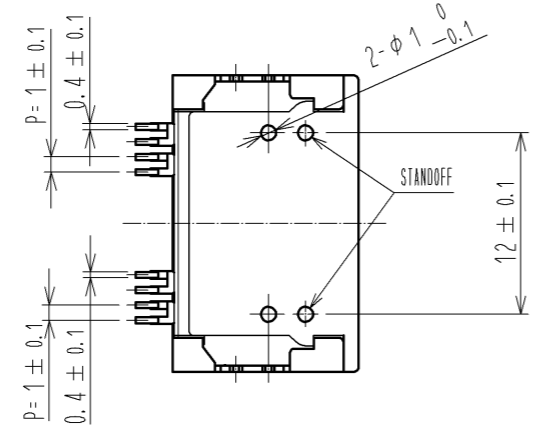
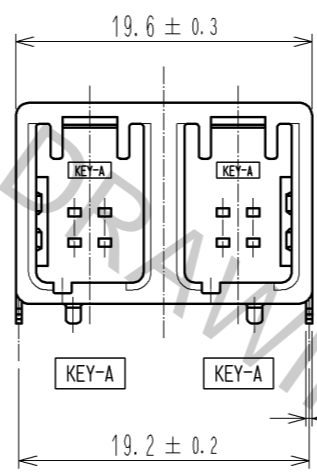
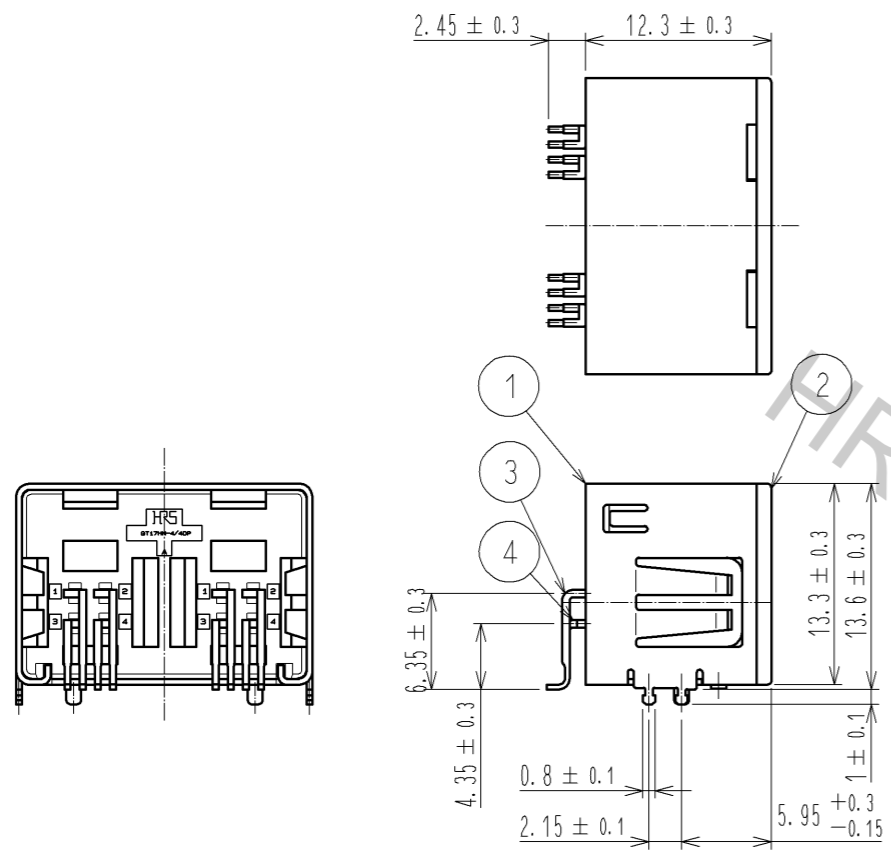
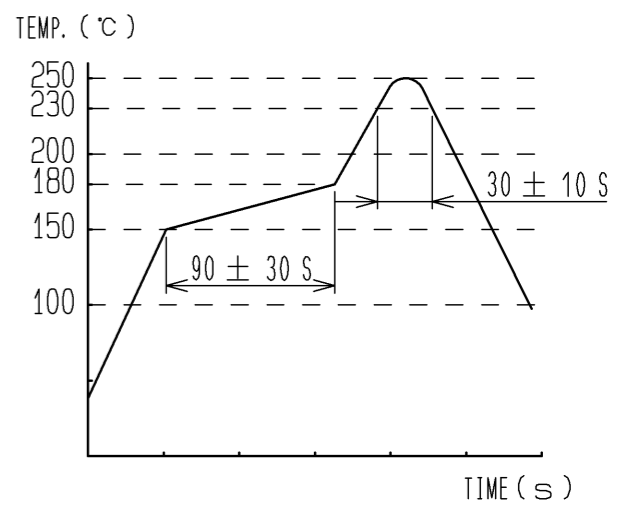


RoHS, ELV COMPLIANT

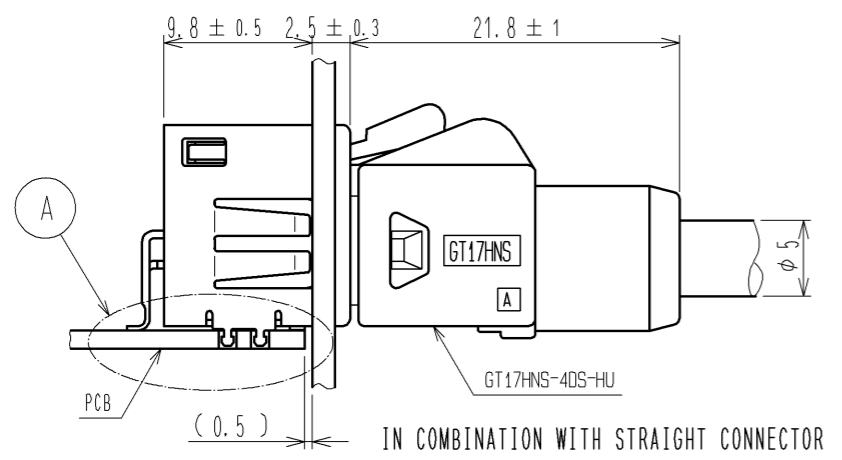
NOTES

- 1) RECOMMENDED THICKNESS OF SOLDERING PASTE: 0.12mm
- 2) RECOMMENDED REFLOW PROFILE (SEE RIGHT GRAPH)
REFLOW TYPE DELETED
ATMOSPHERE DELETED
CYCLE TIME: UP TO 2 CYCLES OF REFLOW SOLDERING ARE POSSIBLE UNDER THE CONDITIONS, PROVIDED THAT THERE IS A RETURN TO NOMAL TEMPERATURE BETWEEN THE FIRST AND SECOND CYCLE.
PEAK TEMPERATURE: 250°C
230°C MIN. FOR 20 TO 40 SECONDS.
PREHEATING AREA 150-180°C FOR 60 TO 120 SECONDS.
- 3) HAND SOLDERING: 280-300°C, 2S MAX.
- 4) CONTACT COPLANARITY: 0.1mm MAX.
- 5) RECOMMENDED THICKNESS OF PCB: 1.6mm
- 6) FOR THE PREVENTION EXCESSIVE STRESS FOR CONNECTOR AND PCB, WE RECOMMEND ADDITIONAL SUPPORT MECHANISM IF THE FLANGE WAS ELIMINATED.

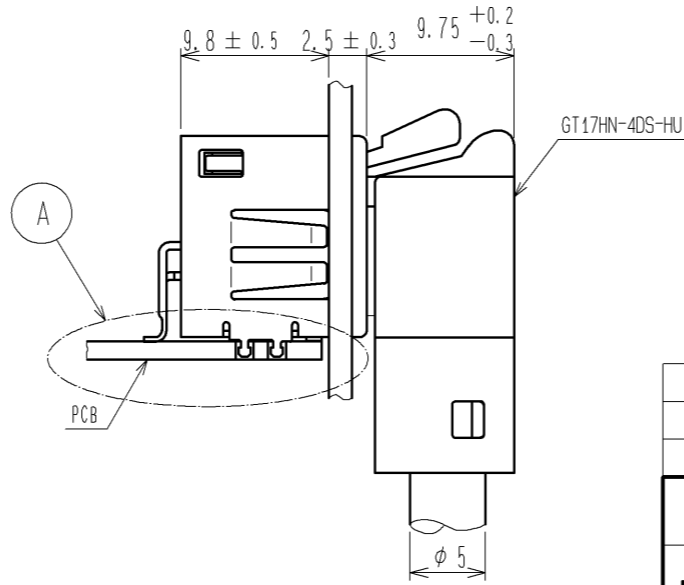


RECOMMENDED PCB LAYOUT

RECOMMENDED PANNEL LAYOUT



IN COMBINATION WITH STRAIGHT CONNECTOR



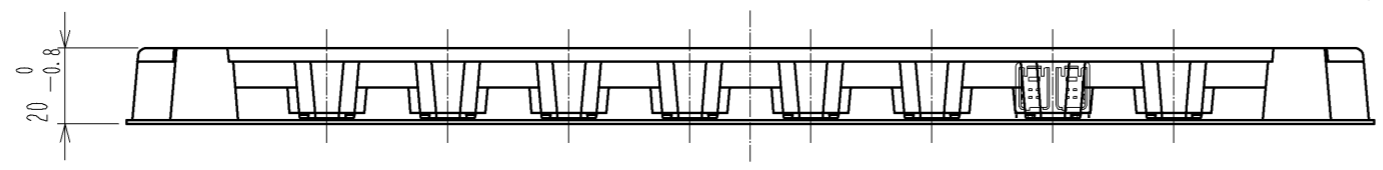
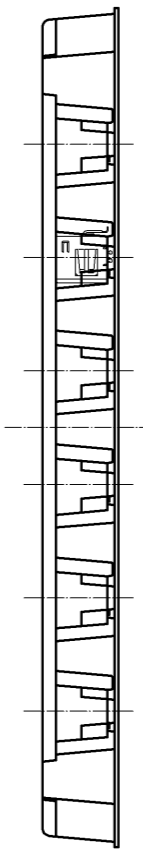
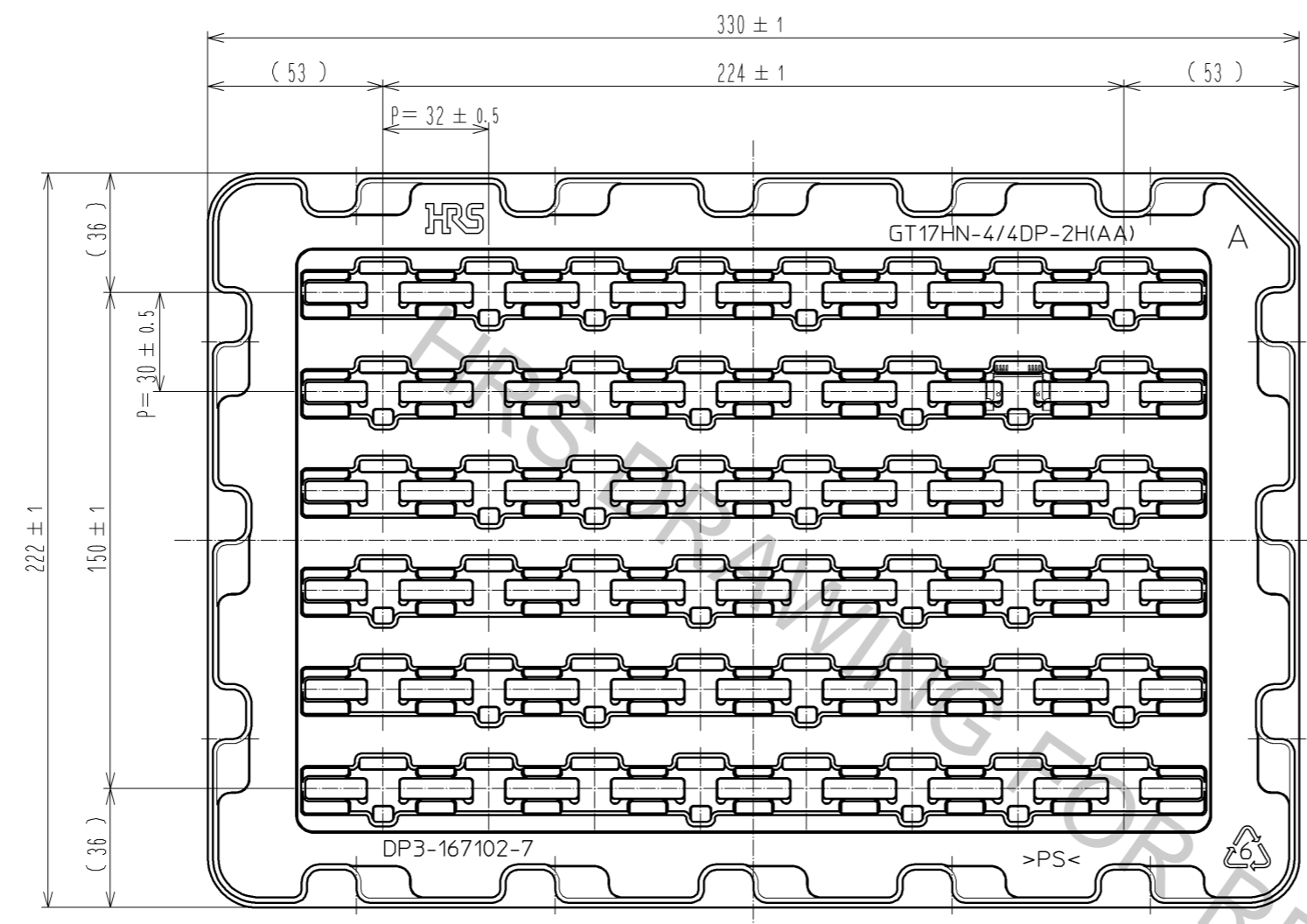
IN COMBINATION WITH RIGHT-ANGLE CONNECTOR

2	PPS	BROWN	4	BRASS	TIN PLATING		
1	COPPER ALLOY	TIN PLATING	3	BRASS	TIN PLATING		
NO.	MATERIAL	FINISH . REMARKS	NO.	MATERIAL	FINISH . REMARKS		
UNITS	mm	SCALE	COUNT	DESCRIPTION OF REVISIONS	DESIGNED	CHECKED	DATE
		2 : 1	△	APPROVED : NH. NAKATA 14. 08. 04			
HIROSE ELECTRIC CO., LTD.				CHECKED : TS. KUBOTA 14. 08. 01	DRAWING NO. EDC3-168124-00		
				DESIGNED : KK. FURUKAWA 14. 08. 01	PART NO. GT17HN-4/4DP-2H(AA)		
				DRAWN : KK. FURUKAWA 14. 08. 01	CODE NO. CL767-0246-6-00		
					△ 1/3		

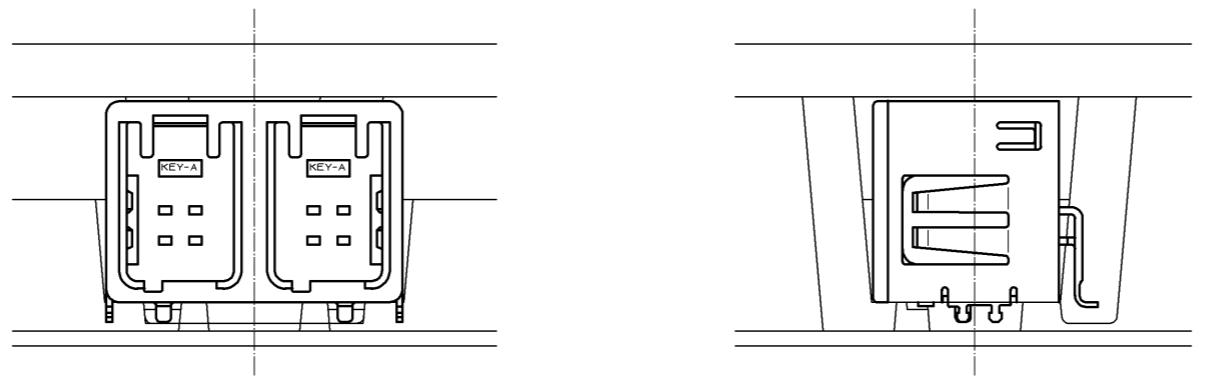
Dec.1.2017 Copyright 2017 HIROSE ELECTRIC CO., LTD. All Rights Reserved.

1 2 3 4 5 6 7 8

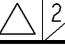
A
B
C
D
E
F



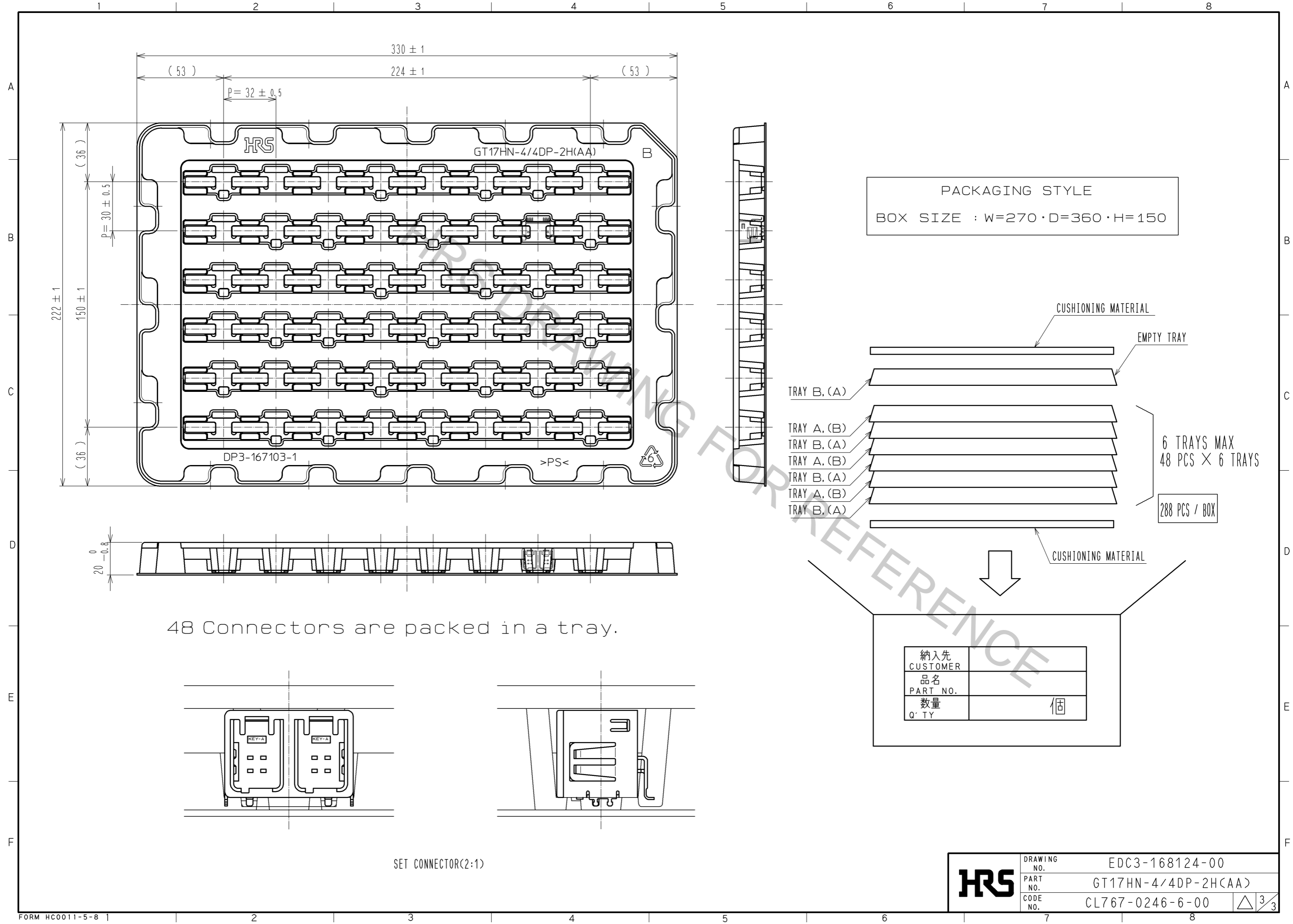
48 Connectors are packed in a tray.



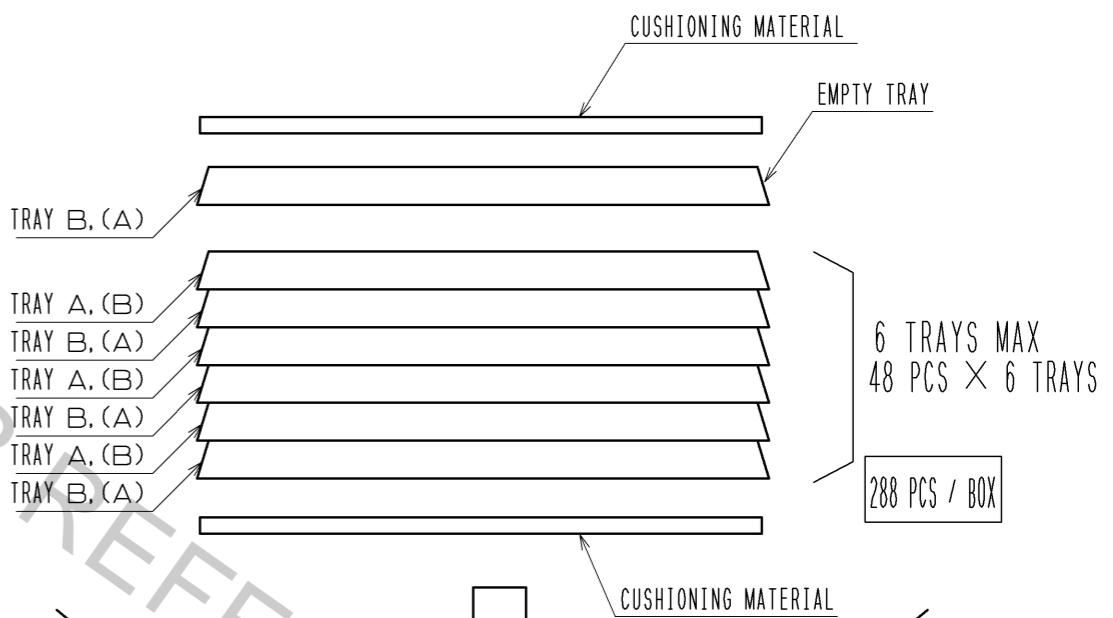
SET CONNECTOR(2:1)

HRS	DRAWING NO.	EDC3-168124-00	 2/3
	PART NO.	GT17HN-4/4DP-2H(AA)	
	CODE NO.	CL767-0246-6-00	

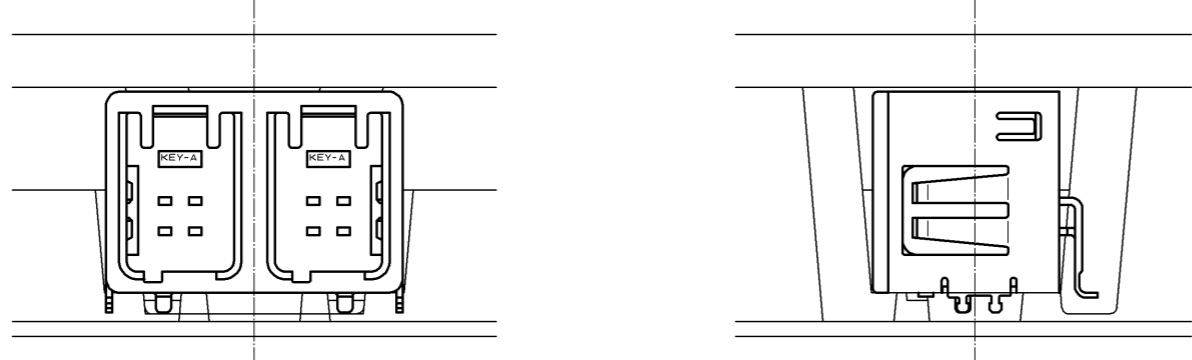
Dec.1.2017 Copyright 2017 HIROSE ELECTRIC CO., LTD. All Rights Reserved.



PACKAGING STYLE
BOX SIZE : W=270 · D=360 · H=150



48 Connectors are packed in a tray.



SET CONNECTOR(2:1)

納入先 CUSTOMER	
品名 PART NO.	
数量 Q' TY	個

HRS	DRAWING NO.	EDC3-168124-00	△ 3/3
	PART NO.	GT17HN-4/4DP-2H(AA)	
	CODE NO.	CL767-0246-6-00	

X-ON Electronics

Largest Supplier of Electrical and Electronic Components

Click to view similar products for [Automotive Connectors](#) category:

Click to view products by [Hirose](#) manufacturer:

Other Similar products are found below :

[003-018-000](#) [60403001](#) [60993906-B](#) [M902-2131](#) [M902-2161](#) [72.330.1035.1](#) [73.353.4028.0](#) [F119300-B](#) [F166900](#) [F258300-B](#) [F358300-B](#)
[F407400](#) [F444110](#) [F487000](#) [F509500B-B](#) [827153-1](#) [8N1515-32-24P](#) [9-1326729-8](#) [925474-1](#) [928905-1](#) [964562-4](#) [968782-1](#) [GT17SA-8DS-](#)
[HU](#) [98891-1012](#) [98947-1016](#) [12004475-L](#) [12010290](#) [12010309-B](#) [12015454](#) [12020219-B](#) [12020308](#) [12041318-B](#) [12052225-L](#) [12052466](#)
[12059125](#) [12064869](#) [12004327-B](#) [12010503-B](#) [12015308](#) [12015384](#) [12015909](#) [1-21030-1](#) [12041254](#) [12041318](#) [12047946-B](#) [12047957](#)
[12047957-L](#) [12059473](#) [12066261](#) [12110546](#)