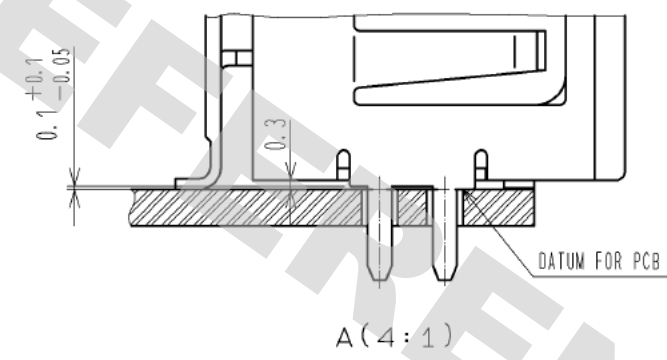
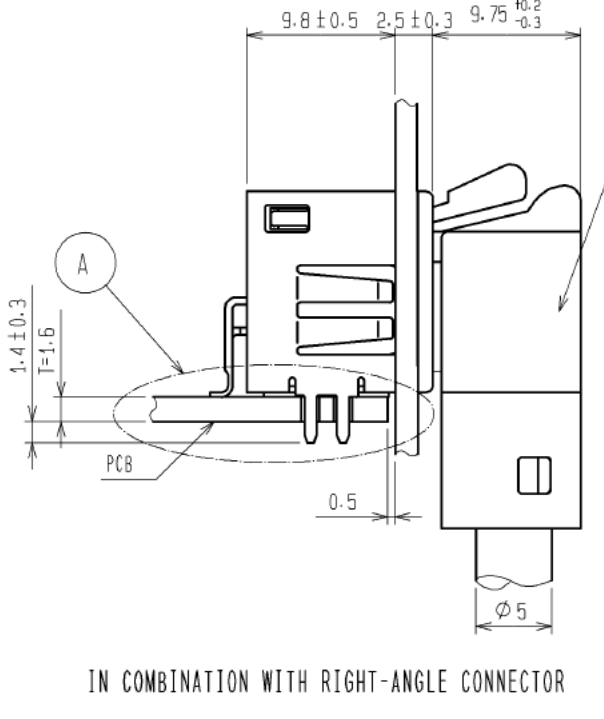
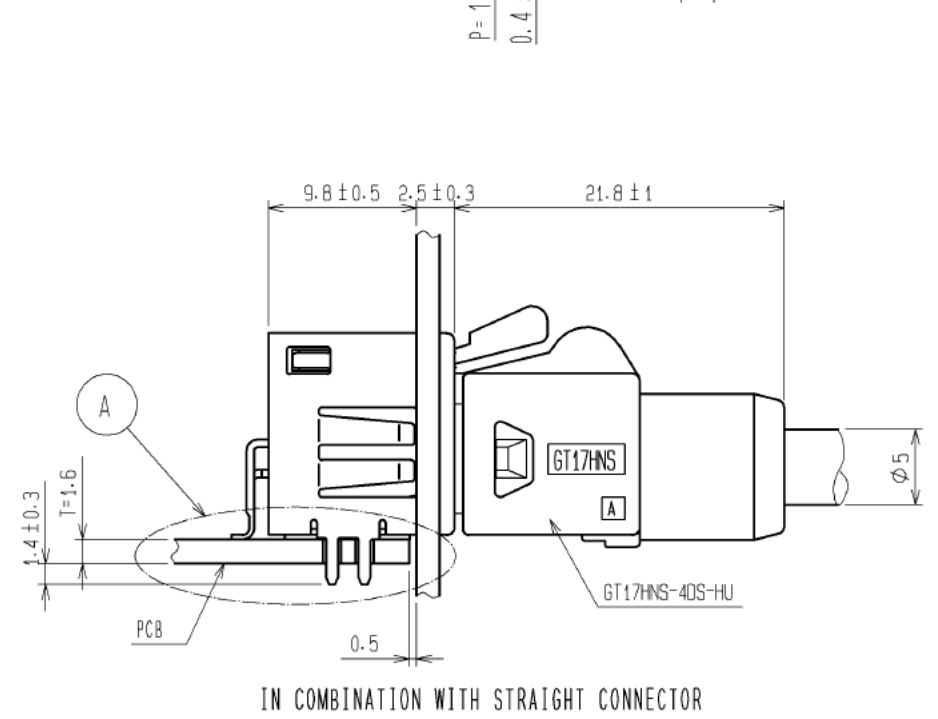
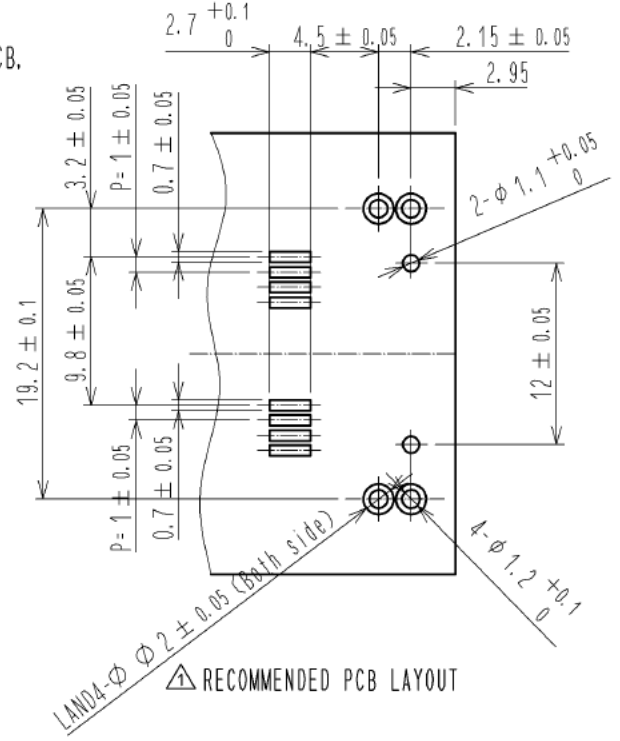
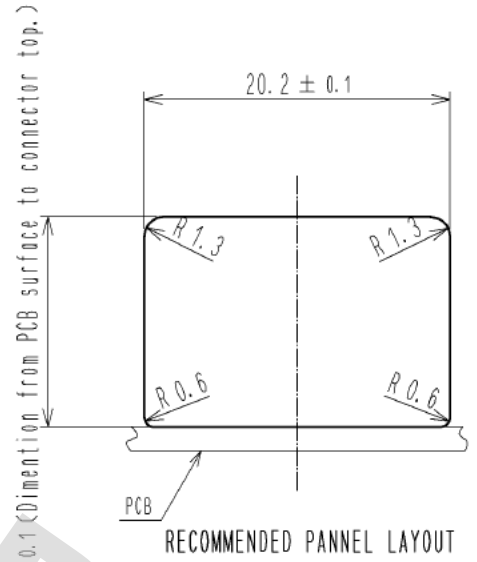
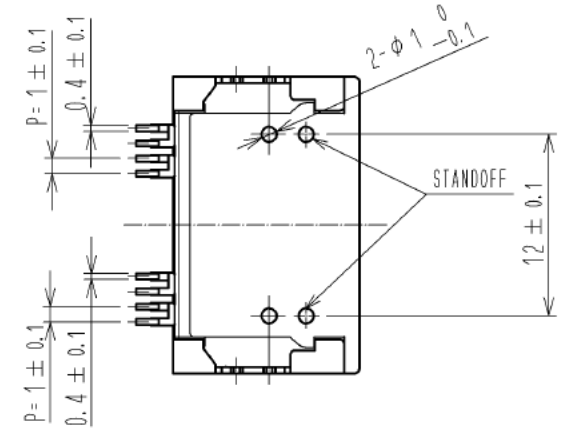
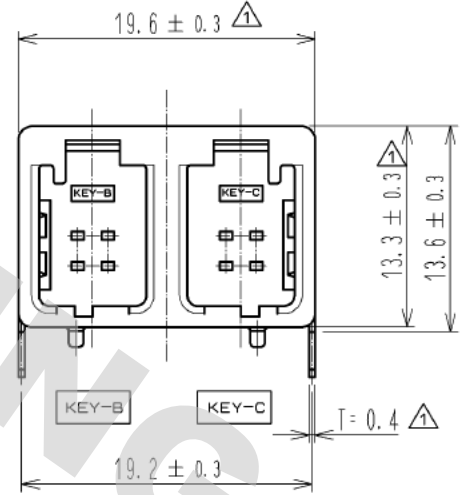
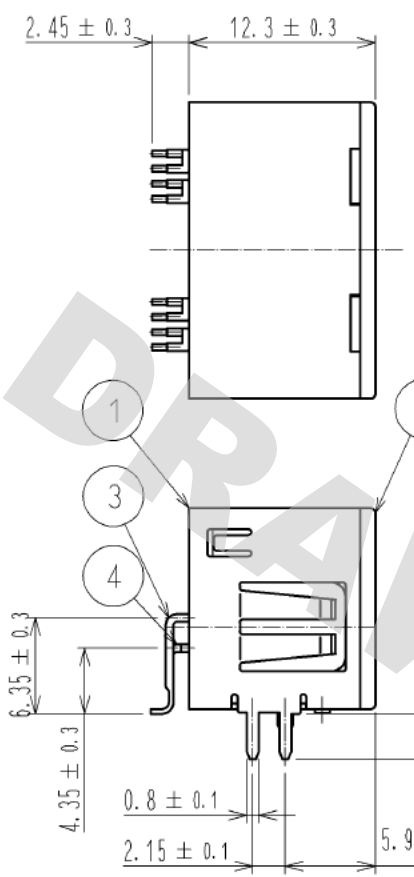
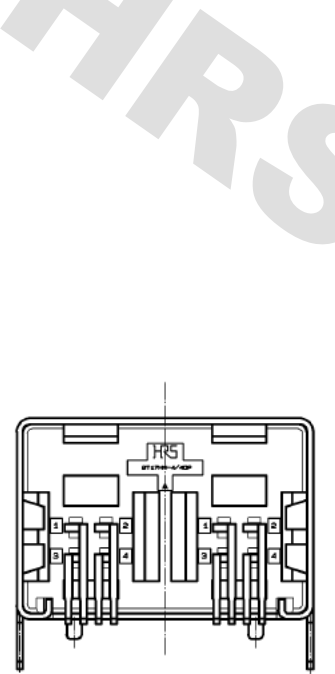
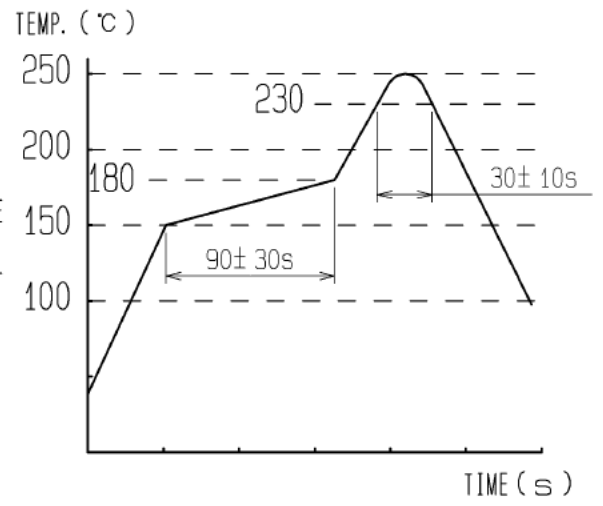


RoHS, ELV COMPLIANT

NOTES

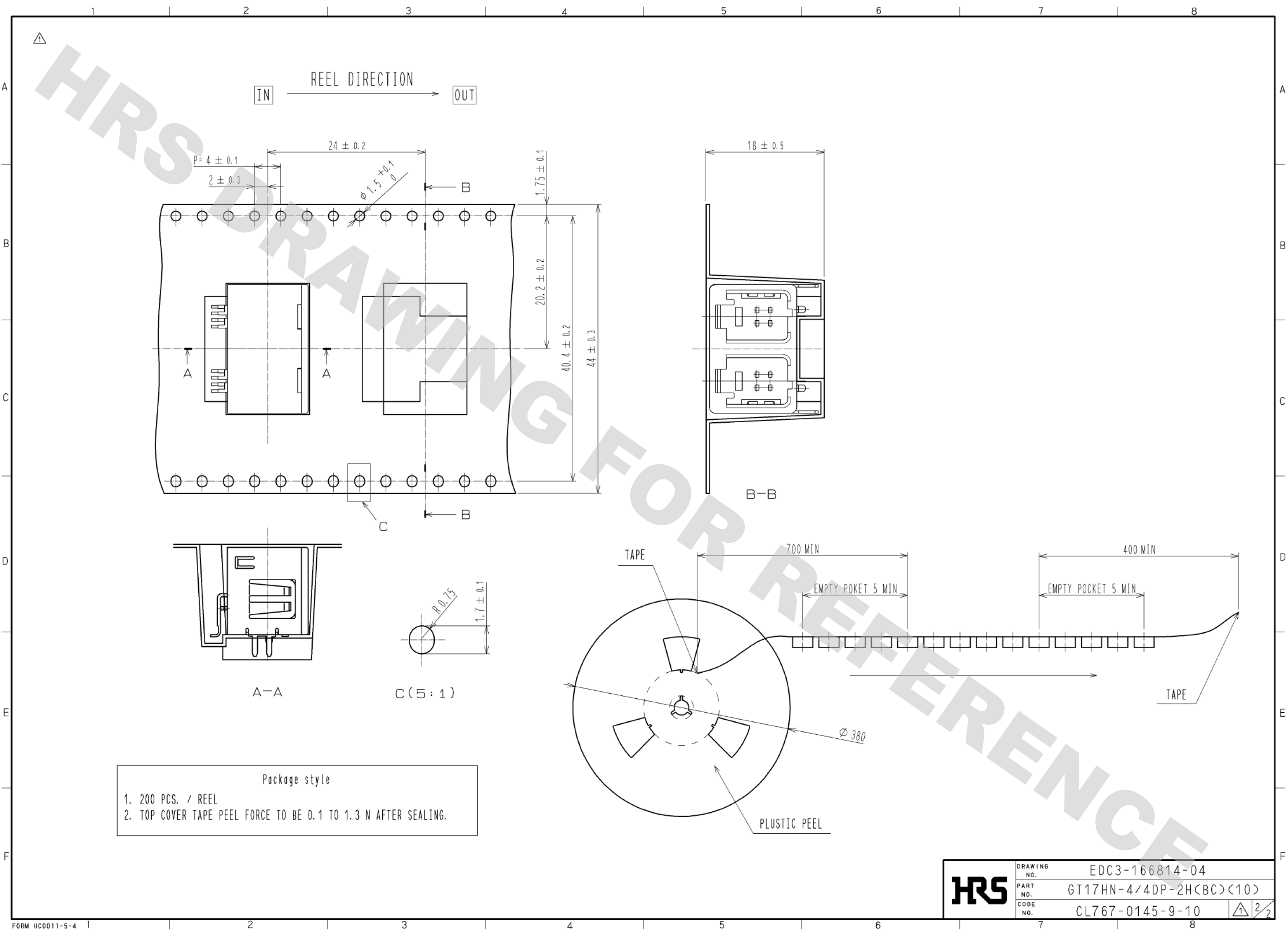
- △ NOTE 1 DELETED
- 1) RECOMMENDED THICKNESS OF SOLDERING PASTE: 0.12mm
- △ 2) RECOMMENDED REFLOW PROFILE (SEE RIGHT GRAPH)
REFLOW TYPE DELETED
ATMOSPHERE DELETED
CYCLE TIME: UP TO 2 CYCLES OF REFLOW SOLDERING ARE POSSIBLE UNDER THE CONDITIONS, PROVIDED THAT THERE IS A RETURN TO NOMAL TEMPERATURE BETWEEN THE FIRST AND SECOND CYCLE.
- PEAK TEMPERATURE: 250°C
230°C MIN. FOR 20 TO 40 SECONDS.
- PREHEATING AREA 150-180°C FOR 60 TO 120 SECONDS.
- 3) HAND SOLDERING: 280-300°C, 2S MAX.
- 4) CONTACT COPLANARITY: 0.1mm MAX.
- 5) RECOMMENDED THICKNESS OF PCB: 1.6mm
- 6) FOR THE PREVENTION EXCESSIVE STRESS FOR CONNECTOR AND PCB, WE RECOMMEND ADDITIONAL SUPPORT MECHANISM IF THE FLANGE WAS ELIMINATED.



2	PPS	LIGHT GRAY	4	BRASS	TIN PLATING
1	COPPER ALLOY	TIN PLATING	3	BRASS	TIN PLATING
NO.	MATERIAL	FINISH . REMARKS	NO.	MATERIAL	FINISH . REMARKS
UNITS	mm	SCALE	2 : 1	COUNT	8
		DESCRIPTION OF REVISIONS	DESIGNED	CHECKED	DATE
		DIS-T-002644	KH. NAKAMURA	NH. NAKATA	12. 03. 16
APPROVED : AR. SHIRAI		10. 06. 14	DRAWING NO. EDC3-166814-04		
CHECKED : AR. SHIRAI		10. 06. 14	PART NO. GT17HN-4/4DP-2H(BC)(10)		
DESIGNED : NH. NAKATA		10. 06. 14	CODE NO. CL767-0145-9-10		
DRAWN : NH. NAKATA		10. 06. 14	1/2		

DRAWING FOR REFERENCE: This is subject to change without notice
05/31/2013

DRAWING FOR REFERENCE: This is subject to change without notice
05/31/2013



Package style
1. 200 PCS. / REEL
2. TOP COVER TAPE PEEL FORCE TO BE 0.1 TO 1.3 N AFTER SEALING.

HRS	DRAWING NO.	EDC3-166814-04	2/2
	PART NO.	GT17HN-4/4DP-2H(BC)(10)	
	CODE NO.	CL767-0145-9-10	

X-ON Electronics

Largest Supplier of Electrical and Electronic Components

Click to view similar products for [Automotive Connectors](#) category:

Click to view products by [Hirose](#) manufacturer:

Other Similar products are found below :

[003-018-000](#) [60403001](#) [60993906-B](#) [M902-2131](#) [M902-2161](#) [72.330.1035.1](#) [73.353.4028.0](#) [F119300-B](#) [F166900](#) [F258300-B](#) [F358300-B](#)
[F407400](#) [F444110](#) [F487000](#) [F509500B-B](#) [827153-1](#) [8N1515-32-24P](#) [9-1326729-8](#) [925474-1](#) [928905-1](#) [964562-4](#) [968782-1](#) [GT17SA-8DS-](#)
[HU](#) [98891-1012](#) [98947-1016](#) [12004475-L](#) [12010290](#) [12010309-B](#) [12015454](#) [12020219-B](#) [12020308](#) [12041318-B](#) [12052225-L](#) [12052466](#)
[12059125](#) [12064869](#) [12004327-B](#) [12010503-B](#) [12015308](#) [12015384](#) [12015909](#) [1-21030-1](#) [12041254](#) [12041318](#) [12047946-B](#) [12047957](#)
[12047957-L](#) [12059473](#) [12066261](#) [12110546](#)