

RoHS, ELV適合品

RoHS, ELV COMPLIANT

Note1. The soldering process is allowed up to twice under the same condition. However, the interval between the first and second process must be maintained at the room temperature.

1. リフロー回数: 2回. 但し, 2回目のリフローにおいては, 一度, 室温に戻すこと.

Note2. The temperature indicates the board surface temperature on the connector lead area.

2. リフロー温度の測定は, コネクタリード部の基板表面温度を測定のこと.

Note3. Hand soldering: 280~300°C, 2s max.

3. 手半田温度: 280~300°C, 2S以内

Note4. Coplanarity: 0.1 max.

4. 端子平坦度: 0.1以下

Note5. Recommended thickness of PCB: 1.6mm

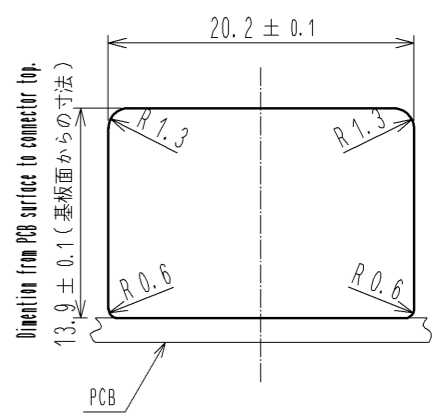
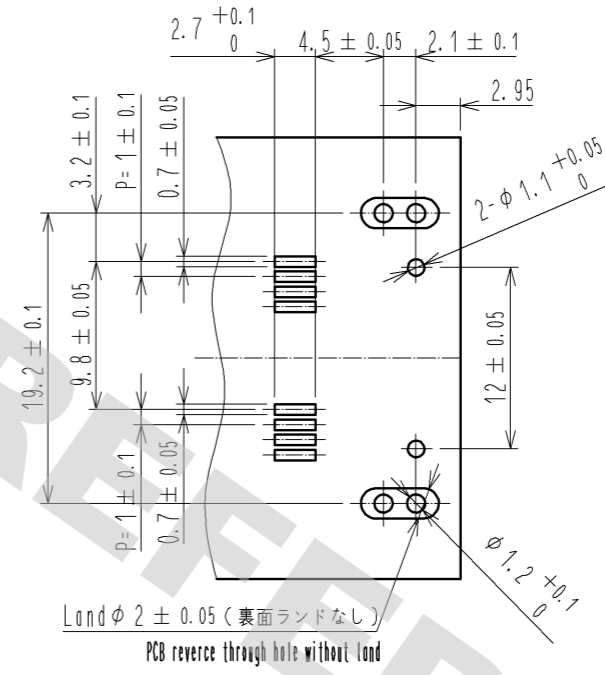
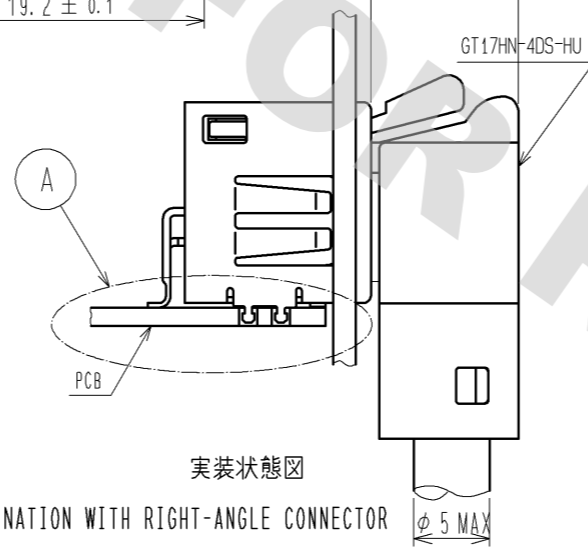
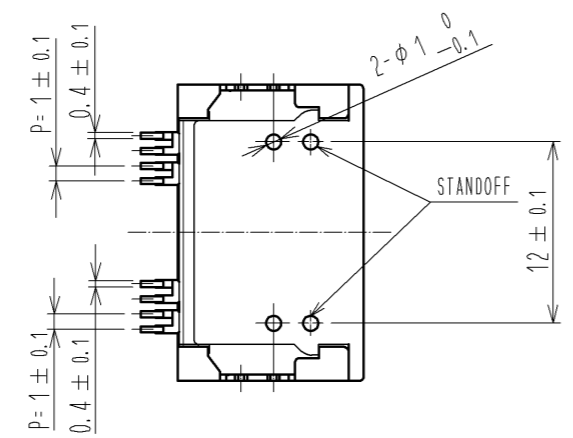
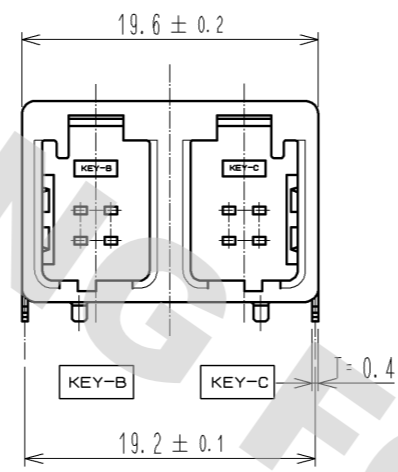
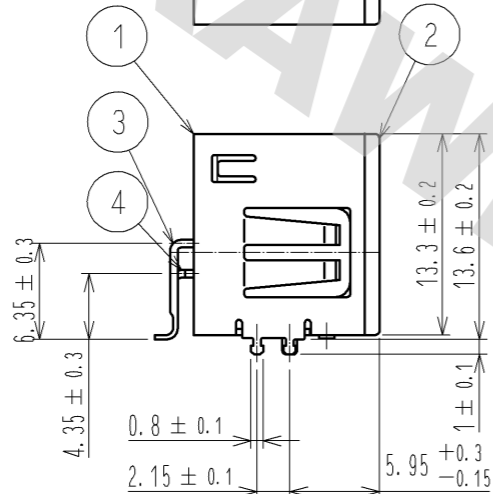
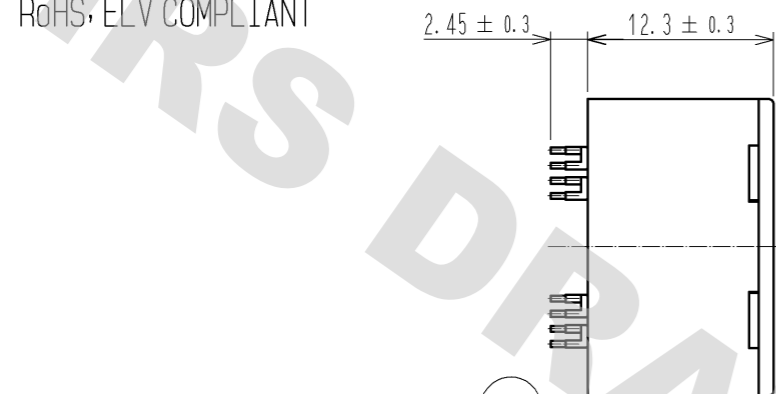
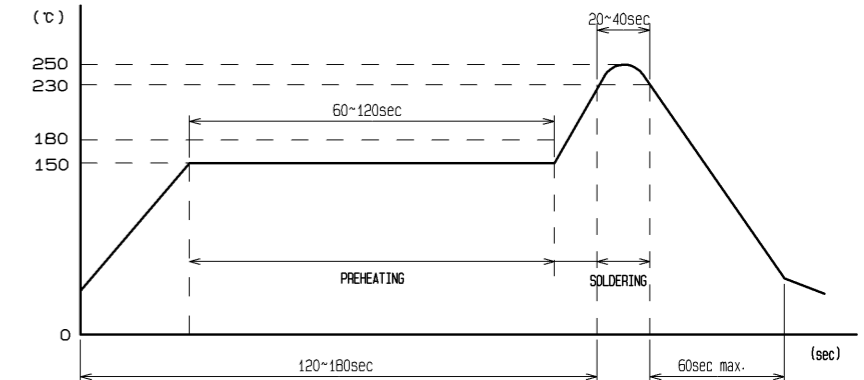
5. 推奨基板厚: 1.6mm

Note6. For the prevention excessive stress for connector and PCB, we recommend additional support mechanism if the flange was eliminated.

6. コネクタと基板間のこじり荷重を回避するために, フランジなしの本製品は, 基板固定の機械的補強を設計的に配慮願います.

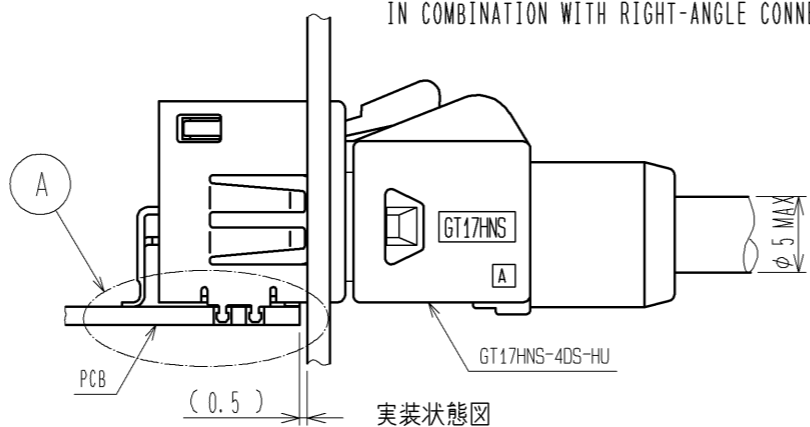
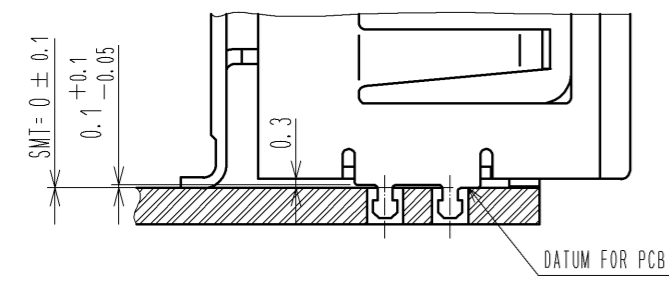
RECOMMENDED REFLOW PROFILE

| IR reflow condition | IR リフロー条件 |
|---|--------------------------|
| Preheating area 150°C for 60 to 120 seconds | 予備加熱: 60~120秒, 150°C |
| Peak Temperature: 250°C | ピーク温度: 250°C |
| Soldering area 235±5°C or 10 seconds max. | リフロー温度: 230~240°C, 10秒以内 |
| 230°C min- for 10 to 30 seconds | 230°C以上: 10~30秒 |



基板推奨寸法図
RECOMMENDED PCB LAYOUT

パネル寸法図
RECOMMENDED PANNEL LAYOUT



A (4:1)

実装状態図
IN COMBINATION WITH STRAIGHT CONNECTOR

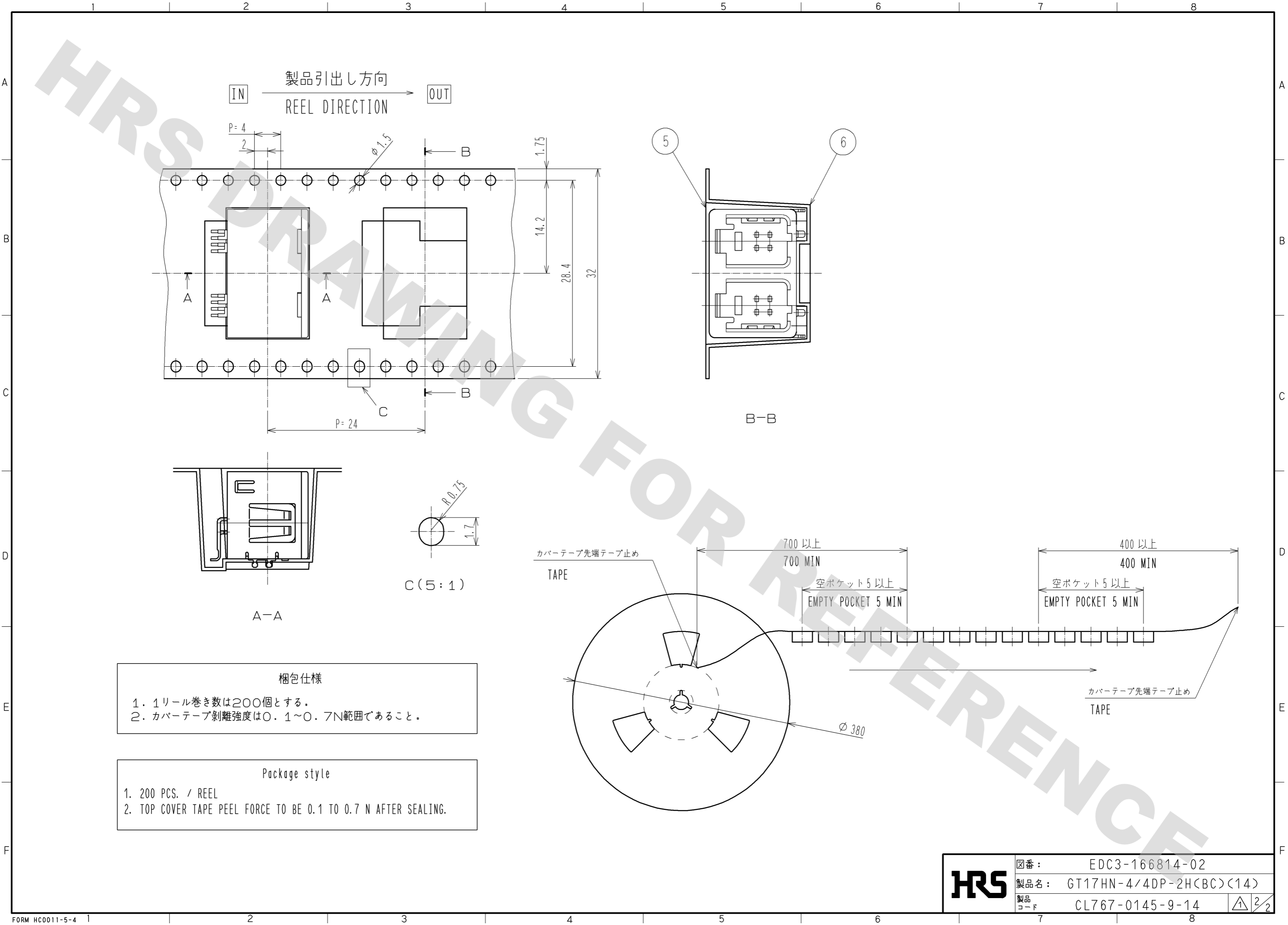
| NO. | MATERIAL | FINISH | REMARKS | NO. | MATERIAL | FINISH | REMARKS |
|-----|--------------|-------------|---------|-----|----------|-------------|---------|
| 3 | BRASS | TIN PLATING | | 6 | PS | | |
| 2 | PPS | LIGHT GRAY | | 5 | PS | | |
| 1 | COPPER ALLOY | TIN PLATING | | 4 | BRASS | TIN PLATING | |

| UNITS | SCALE | COUNT | DESCRIPTION OF REVISIONS | DESIGNED | CHECKED | DATE |
|-------|-------|-------|--------------------------|------------|------------|----------|
| mm | 2:1 | 1 | DIS-T-001267 | TS. KUBOTA | NH. NAKATA | 09.06.15 |

| APPROVED | DATE | DRAWING NO. |
|------------|----------|-------------------------|
| AR. SHIRAI | 09.06.12 | EDC3-166814-02 |
| CHECKED | DATE | PART NO. |
| NH. NAKATA | 09.06.11 | GT17HN-4/4DP-2H(BC)(14) |
| DESIGNED | DATE | CODE NO. |
| TS. KUBOTA | 09.06.10 | CL767-0145-9-14 |
| DRAWN | DATE | |
| TS. KUBOTA | 09.06.10 | |

DRAWING FOR REFERENCE: This is subject to change without notice
08/11/2012

DRAWING FOR REFERENCE: This is subject to change without notice
08/11/2012



梱包仕様

1. 1リール巻き数は200個とする。
2. カバーテープ剥離強度は0.1~0.7N範囲であること。

Package style

1. 200 PCS. / REEL
2. TOP COVER TAPE PEEL FORCE TO BE 0.1 TO 0.7 N AFTER SEALING.

| | | | |
|------------|--------|-------------------------|-----|
| HRS | 図番: | EDC3-166814-02 | 2/2 |
| | 製品名: | GT17HN-4/4DP-2H(BC)(14) | |
| | 製品コード: | CL767-0145-9-14 | |

X-ON Electronics

Largest Supplier of Electrical and Electronic Components

Click to view similar products for [Automotive Connectors](#) category:

Click to view products by [Hirose](#) manufacturer:

Other Similar products are found below :

[003-018-000](#) [60403001](#) [60993906-B](#) [M902-2131](#) [M902-2161](#) [72.330.1035.1](#) [73.353.4028.0](#) [F119300-B](#) [F166900](#) [F258300-B](#) [F358300-B](#)
[F407400](#) [F444110](#) [F487000](#) [F509500B-B](#) [827153-1](#) [8N1515-32-24P](#) [9-1326729-8](#) [925474-1](#) [928905-1](#) [964562-4](#) [968782-1](#) [GT17SA-8DS-](#)
[HU](#) [98891-1012](#) [98947-1016](#) [12004475-L](#) [12010290](#) [12010309-B](#) [12015454](#) [12020219-B](#) [12020308](#) [12041318-B](#) [12052225-L](#) [12052466](#)
[12059125](#) [12064869](#) [12004327-B](#) [12010503-B](#) [12015308](#) [12015384](#) [12015909](#) [1-21030-1](#) [12041254](#) [12041318](#) [12047946-B](#) [12047957](#)
[12047957-L](#) [12059473](#) [12066261](#) [12110546](#)